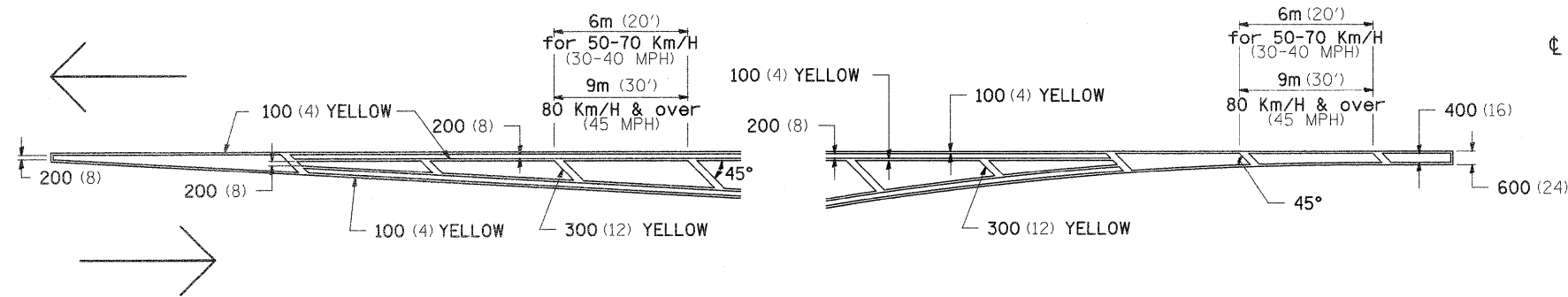
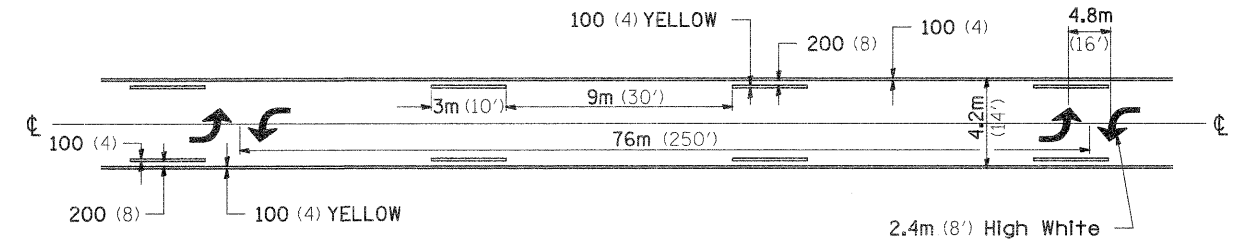


TYPICAL PAVEMENT MARKINGS

TYPICAL PAVEMENT MARKING FOR FLUSH MEDIAN AT LEFT TURN LANE

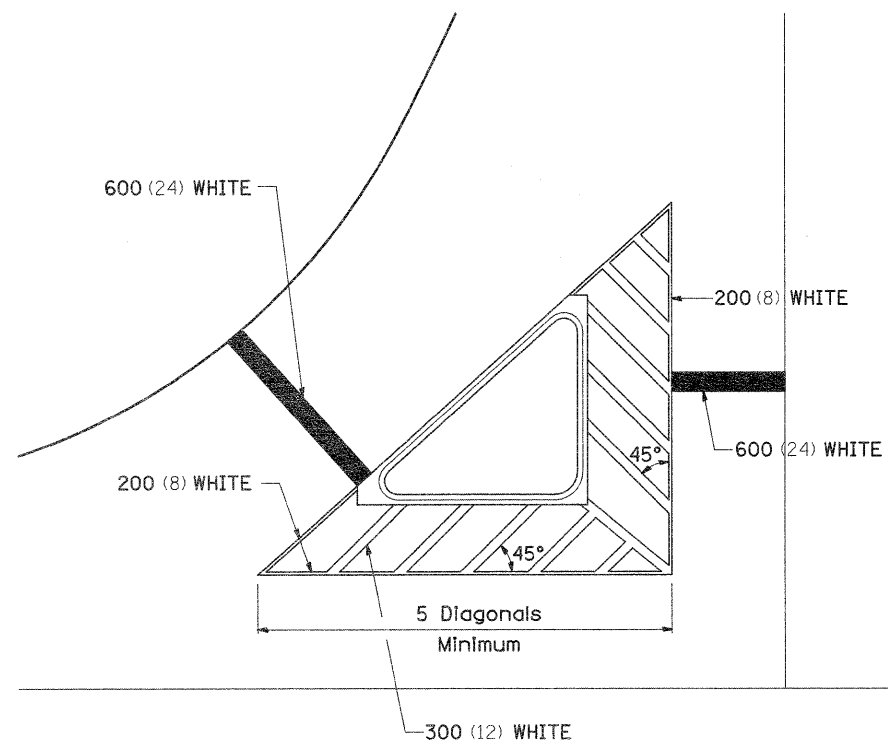


MEDIAN PAVEMENT MARKING

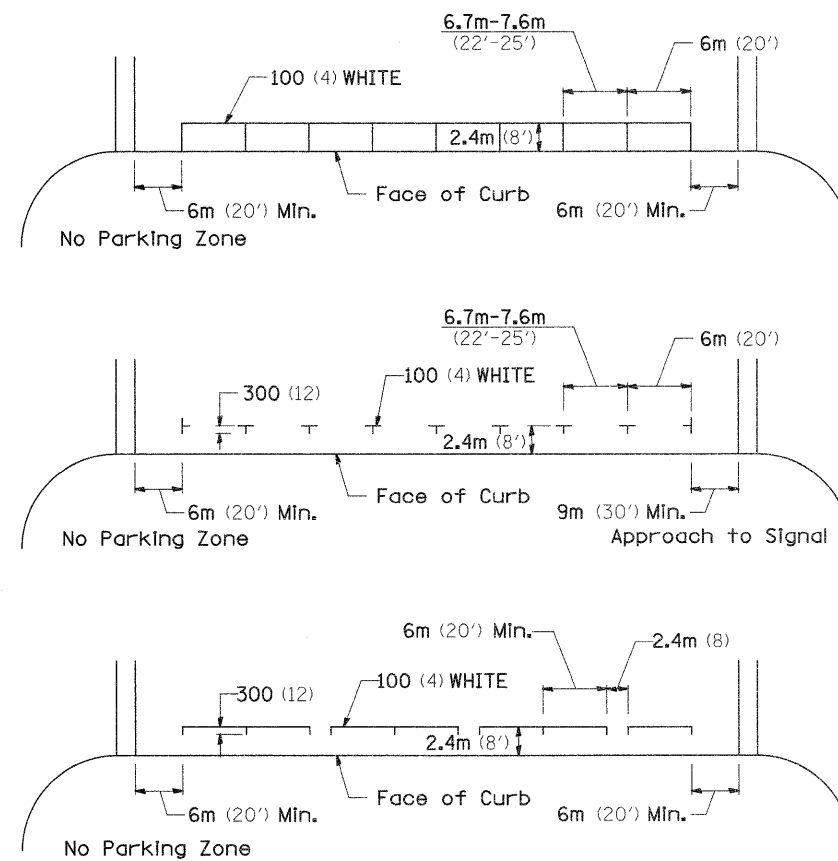


•• ALL DIMENSIONS ARE IN MILLIMETERS (INCHES) UNLESS OTHERWISE NOTED.

TYPICAL ISLAND OFFSET SHOULDER WIDTH

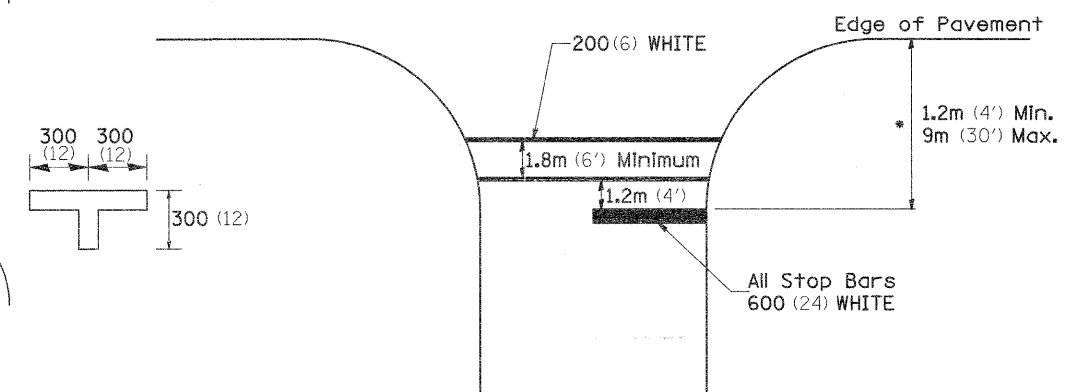


TYPICAL PARKING SPACING



STANDARD CROSSWALK MARKING

See Schedules for Locations



* Distance to the nearest edge of the intersecting roadway in the absence of a marked crosswalk.

FILE NAME =	USER NAME = goffjl	DESIGNED -	REVISED - 10-21-08	STATE OF ILLINOIS DEPARTMENT OF TRANSPORTATION	REGION 2 / DISTRICT 2 STANDARD			F.A.P. RTE. =	SECTION	COUNTY	TOTAL SHEETS	SHEET NO.
as\p\work\pmdot\goffjl\d8146637\020809\9-ht-cover.dgn	9-ht-cover.dgn	DRAWN -	REVISED -					517	L-M-4	BOONE	54	34
PLOT SCALE = 50.0000 / IN.		CHECKED -	REVISED -					CONTRACT NO. 64F80				
PLOT DATE = Thu Dec 09 08:51:14 2010		DATE -	REVISED -					FED. ROAD DIST. NO. ILLINOIS FED. AID PROJECT				