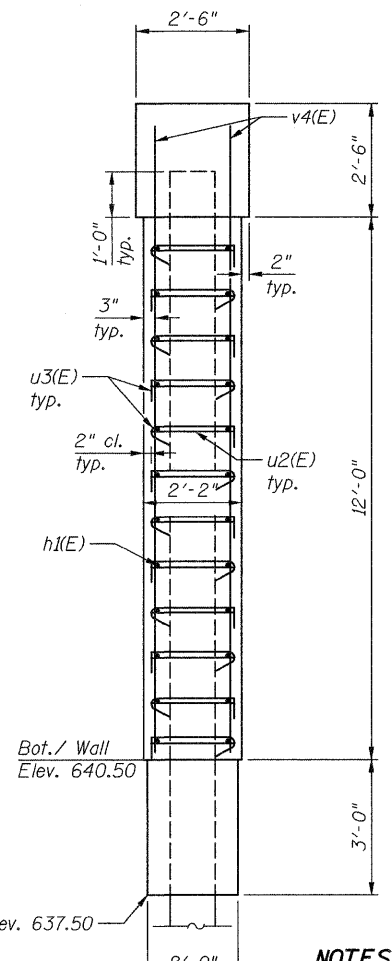
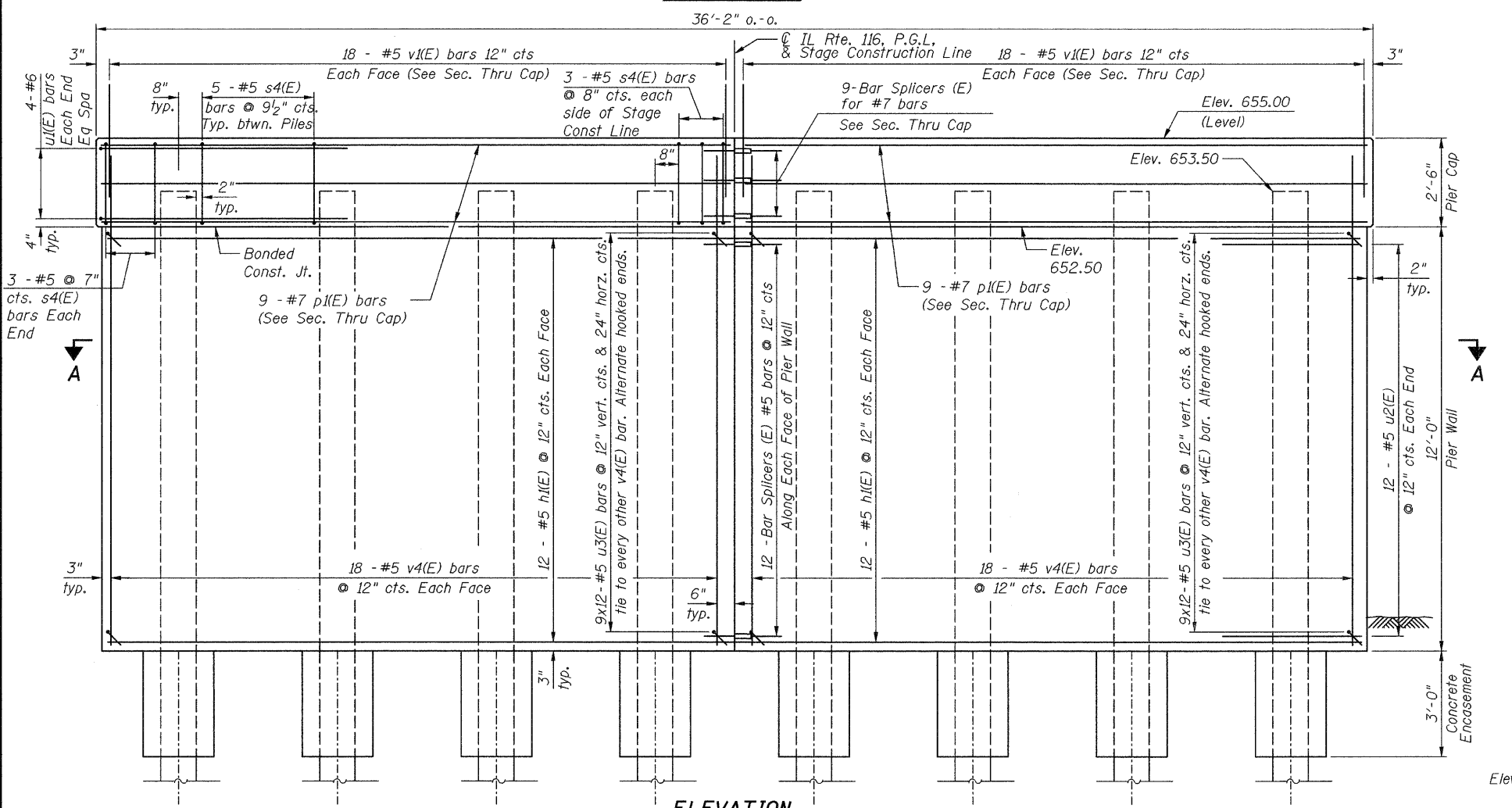


SECTION A-A



SEC. THRU CAP.

BILL OF MATERIAL - PIER

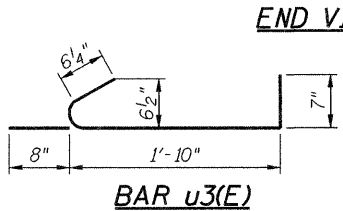
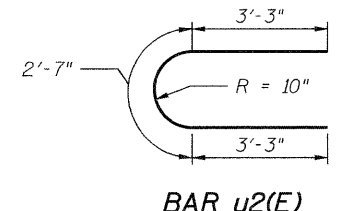
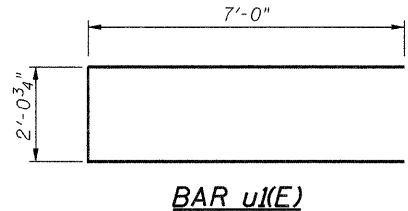
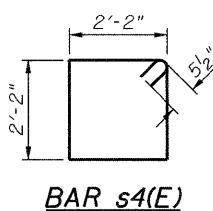
Bar	No.	Size	Length	Shape
p1(E)	18	#7	17'-9"	
h1(E)	48	#5	16'-8"	
s4(E)	42	#5	9'-7"	□
u1(E)	8	#6	16'-1"	□
u2(E)	24	#5	9'-1"	□
u3(E)	216	#5	3'-1"	└
v1(E)	72	#5	3'-0"	
v4(E)	72	#5	13'-10"	
Structure Excavation		Cu. Yd.	4	
Concrete Structures		Cu. Yd.	42.4	
Reinforcement Bars, Epoxy Coated		Pound	4,290	
Furnishing Steel Piles, HP12x53		Foot	400	
Driving Piles		Foot	400	
Underwater Structure Excavation Protection - Location 2		Each	1	
Concrete Encasement		Cu. Yd.	2.8	

PILE DATA

Type: Steel HP12x53
 Nominal Required Bearing: 264 kips
 Factored Resistance Available: 132 kips
 Est. Length: 50 ft.
 No. Production Piles: 8
 No. Test Piles: 0

NOTES:

1. For details of Bar Splicers, see sheet 18 of 22.
2. For details of piles and Concrete Encasement, see sheet 17 of 22.
3. If a portion of the pier wall or concrete encasement is underwater, reinforcement may be placed underwater into forms. Concrete shall be tremied according to Article 503.08 of the Standard Specifications to an elevation of 1'-0" above the water line at the time of construction.
4. Bars indicates thus:
 9 x 12 - #5 etc., indicates 9 lines of #5 bars with 12 lengths per line.



benesch
 engineers • scientists • planners
 Alfred Benesch & Company
 205 North Michigan Avenue, Suite 2400
 Chicago, Illinois 60601
 312-565-0450
 Job No. 3938

FILE NAME =
 ...V038-0220-66960-016-pier2.dgn

USER NAME = rgr-mm
 DESIGNED - JDC
 CHECKED - JMS
 PLOT SCALE = #SCALE#
 PLOT DATE = 01/24/2011

DESIGNED - JDC
 CHECKED - JMS
 DRAWN - MRW
 CHECKED - JDC

REVISED -
 REVISED -
 REVISED -
 REVISED -

STATE OF ILLINOIS
DEPARTMENT OF TRANSPORTATION

PIER 2 DETAILS
STRUCTURE NO. 038-0220
 SHEET NO. 16 OF 22 SHEETS

F.A.P. RTE.	SECTION	COUNTY	TOTAL SHEETS	SHEET NO.
681	(117) BR-1	IROQUOIS	41	27
CONTRACT NO. 66960				

x:\3900s\3938\Structures\1116overLanganCreek\Final\Plans\038-0220-66960-016-pier2.dgn
 15-02-50
 01/24/2011