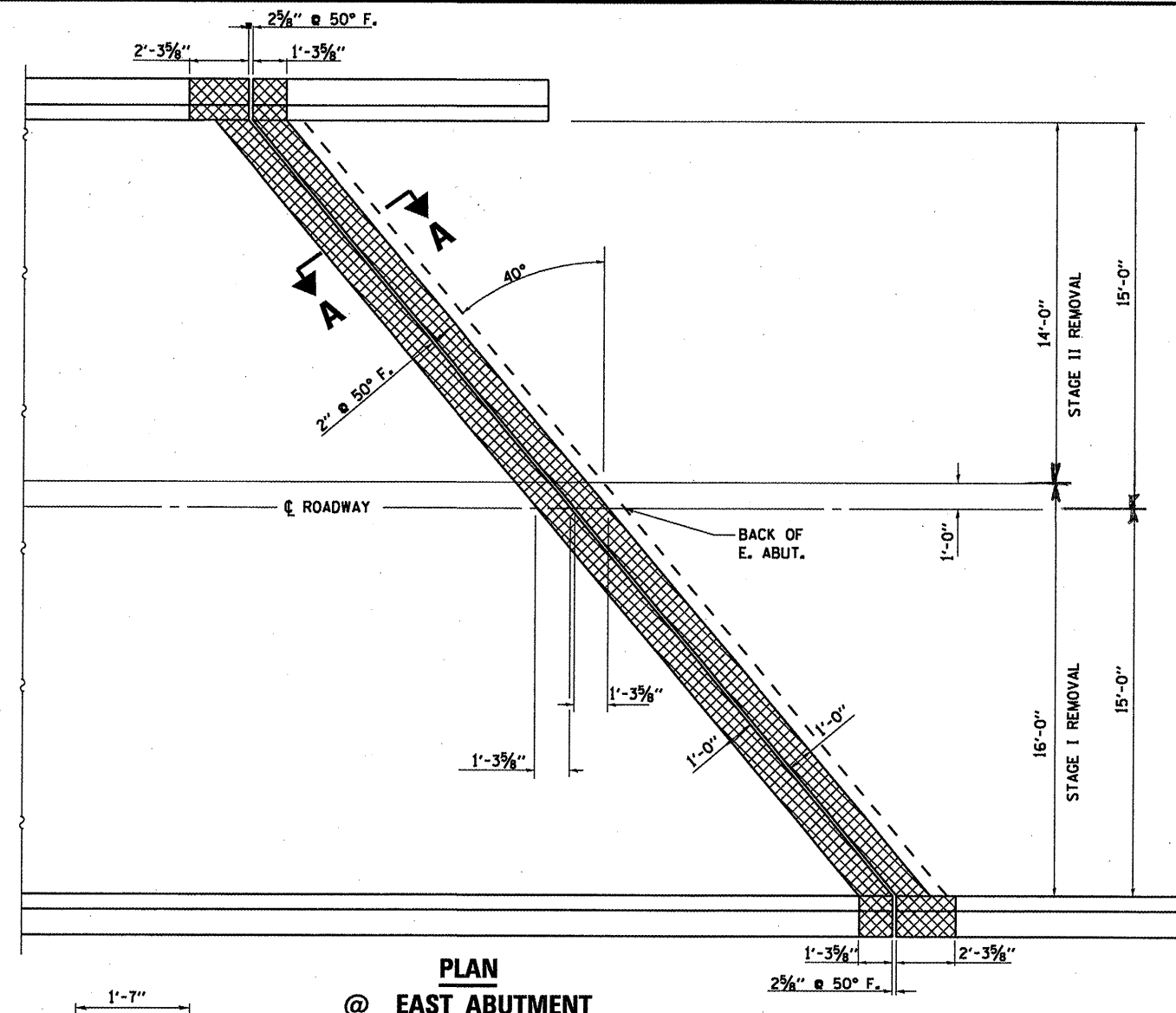
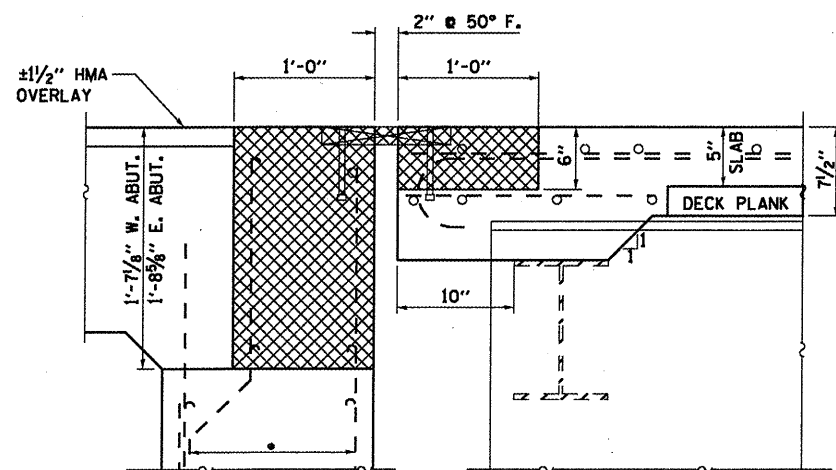


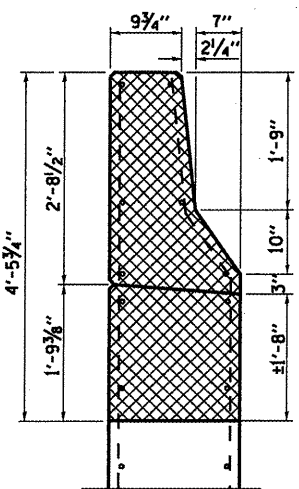
**PLAN
@ WEST ABUTMENT**



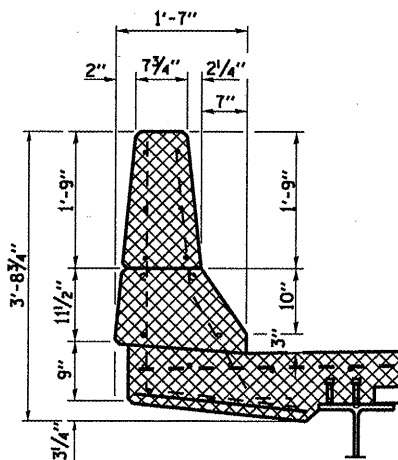
**PLAN
@ EAST ABUTMENT**



**SECTION A-A
AT RT. L'S**



**WING WALL SECTION
AT RT. L'S**



**PARAPET WALL SECTION
AT RT. L'S**

NOTE:
CROSSED HATCHED AREA REPRESENTS CONCRETE REMOVAL AND REPLACEMENT AREAS.

THE CONTRACTOR SHALL EXERCISE EXTREME CARE WHEN REMOVING AND REPLACING CONCRETE SO THAT THE EXISTING PPC DECK PLANKS ARE NOT DAMAGED. IF THE EXISTING DECK PLANKS ARE DAMAGED DUE TO THE CONTRACTOR'S OPERATION, THE DAMAGED PLANK SHALL BE REPAIRED AT THE CONTRACTOR'S EXPENSE.

COST FOR REMOVAL OF EXISTING EXPANSION JOINT MATERIALS SHALL BE INCLUDED WITH "CONCRETE REMOVAL"

EXISTING SHEAR STUDS SHALL REMAIN IN PLACE WHEN PRESENT. IF THE SHEAR STUDS ARE DAMAGED OR WELDS CRACKED DUE TO THE CONTRACTOR'S REMOVAL OPERATIONS, DAMAGED STUDS SHALL BE REPLACED AT THE CONTRACTOR'S EXPENSE.

BILL OF MATERIAL

ITEM	UNIT	TOTAL
CONCRETE REMOVAL	CU YD	11

EXPANSION JOINT REMOVAL DETAILS
F.A.S. 2246 (US 6) SECTION (13C-BR)
BUREAU COUNTY
STA. 297+80.00
S.N. 006-0137

FILE NAME =	USER NAME = woodshankr1	DESIGNED - RLW	REVISED -
MAIN11-0366A29-details.dgn		DRAWN - RLW	REVISED -
PLOT SCALE = 100.0000 / IN.		CHECKED -	REVISED -
PLOT DATE = Dec 28, 2010 - 07:17:40 AM		DATE -	REVISED -

STATE OF ILLINOIS
DEPARTMENT OF TRANSPORTATION

EXPANSION JOINT REMOVAL

SCALE: SHEET NO. 3 OF 6 SHEETS STA. TO STA.

F.A.S. RTE. 2247	SECTION (13C-BR)	COUNTY BUREAU	TOTAL SHEETS 14	SHEET NO. 11
CONTRACT NO. 66A29				ILLINOIS FED. AID PROJECT