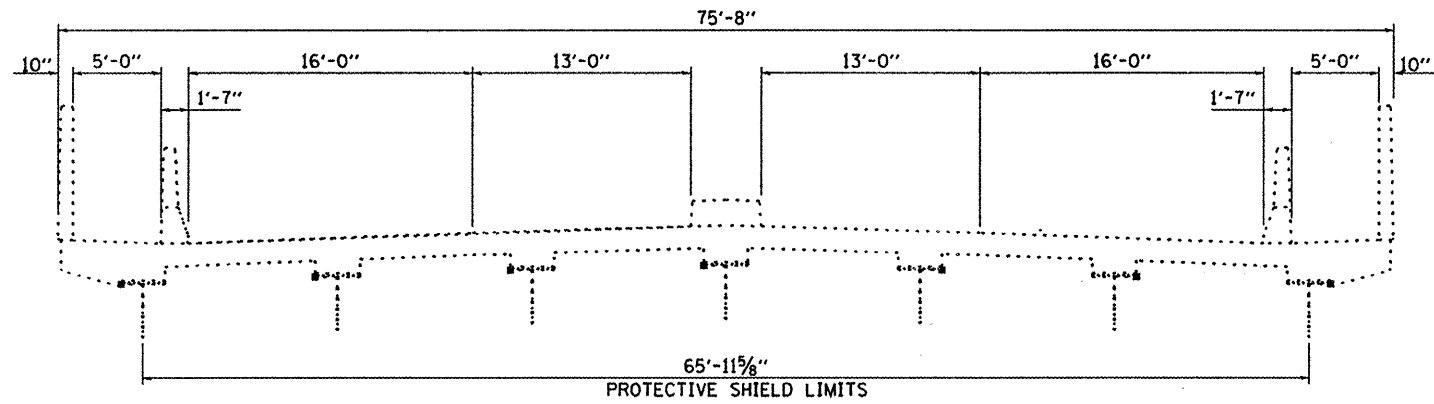


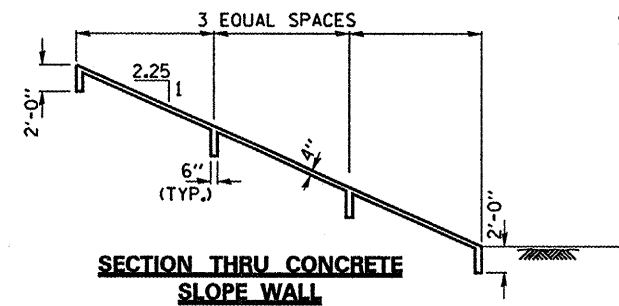
ELEVATION



CROSS SECTION

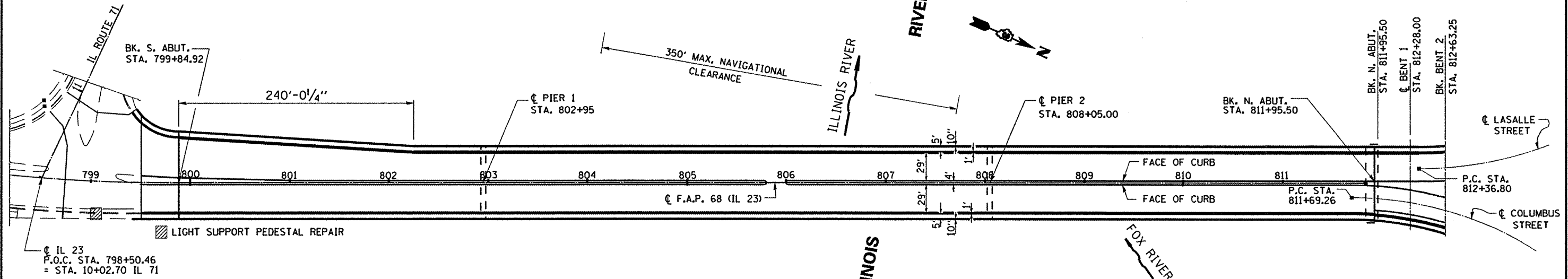


David Carl Puze
Expires 11/30/2012



SECTION THRU CONCRETE SLOPE WALL

ELEVATION ALONG COLUMBUS STREET



PLAN
SN 050-0180

GENERAL PLAN AND ELEVATION

SN 050-0180
FAP ROUTE 68 (IL 23)
OVER ILLINOIS RIVER
SECTION (12R1)-2
LASALLE COUNTY
STA. 805+45

FILE NAME =	USER NAME = woodshankr1	DESIGNED - RON WOODSHANK	REVISED -
ct:\pwork\puidot\woodshankr1\0257365\366A56-details.dgn		DRAWN - RON WOODSHANK	REVISED -
	PLOT SCALE = 100.0000' / IN.	CHECKED -	REVISED -
	PLOT DATE = Feb 01, 2011 - 08:48:45 AM	DATE -	REVISED -

STATE OF ILLINOIS
DEPARTMENT OF TRANSPORTATION

GENERAL PLAN AND ELEVATION - S.N. 050-0180

F.A.P. RTE. 68	SECTION (12R1)-2	COUNTY LASALLE	TOTAL SHEETS 23	SHEET NO. 14
SCALE: _____ SHEET NO. 1 OF 10 SHEETS STA. _____ TO STA. _____			CONTRACT NO. 66A56	
ILLINOIS FED. AID PROJECT				