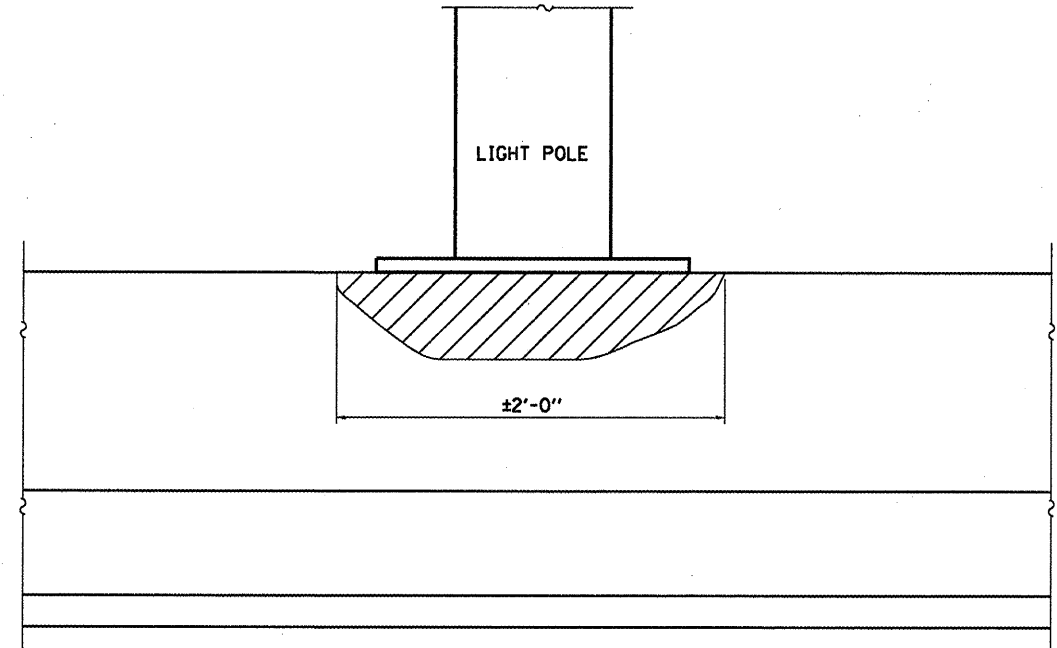
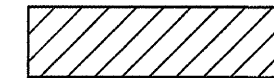


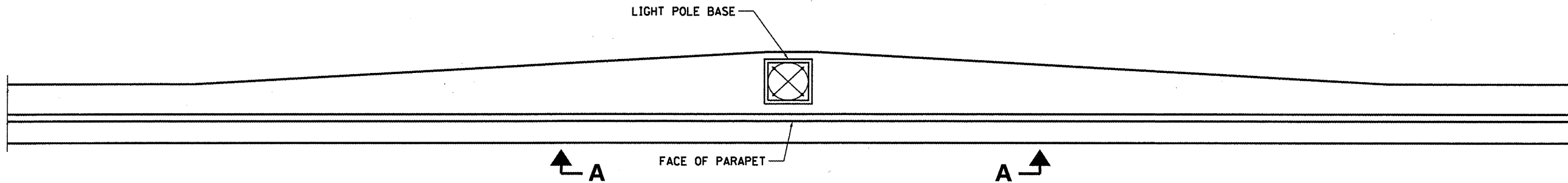
CURB SECTION AT LIGHT PEDESTAL



SECTION A-A



**STRUCTURAL REPAIR OF CONCRETE
(DEPTH EQUAL TO OR LESS THAN 5 INCHES)**



PLAN
STA. 798+87.46
32' RT.

NOTES:
THE CONTRACTOR SHALL SUPPORT THE EXISTING LIGHT POLE DURING CONCRETE REPAIR OPERATION.
THE CONTRACTORS SUPPORT METHODS SHALL BE APPROVED BY THE ENGINEER PRIOR TO INSTALLATION OF SUPPORT.

BILL OF MATERIAL

ITEM	UNIT	TOTAL
STRUCTURAL REPAIR OF CONCRETE (DEPTH EQUAL TO OR LESS THAN 5 INCHES)	SO FT	2

FILE NAME =	USER NAME = woodshankr1	DESIGNED - RON WOODSHANK	REVISED -
cr\pwwork\pwwork\woodshankr1\d0143143\CH	MAIN1-D366A56-detail.dgn	DRAWN - RON WOODSHANK	REVISED -
	PLOT SCALE = 100.0000' / IN.	CHECKED -	REVISED -
	PLOT DATE = Dec 28, 2010 - 12:45:28 PM	DATE -	REVISED -

**STATE OF ILLINOIS
DEPARTMENT OF TRANSPORTATION**

LIGHT SUPPORT PEDESTAL REPAIR

SCALE: _____ SHEET NO. 8 OF 10 SHEETS STA. _____ TO STA. _____

F.A.P. RTE. 68	SECTION (JZR)-2	COUNTY LASALLE	TOTAL SHEETS 23	SHEET NO. 21
CONTRACT NO. 66A56				ILLINOIS FED. AID PROJECT