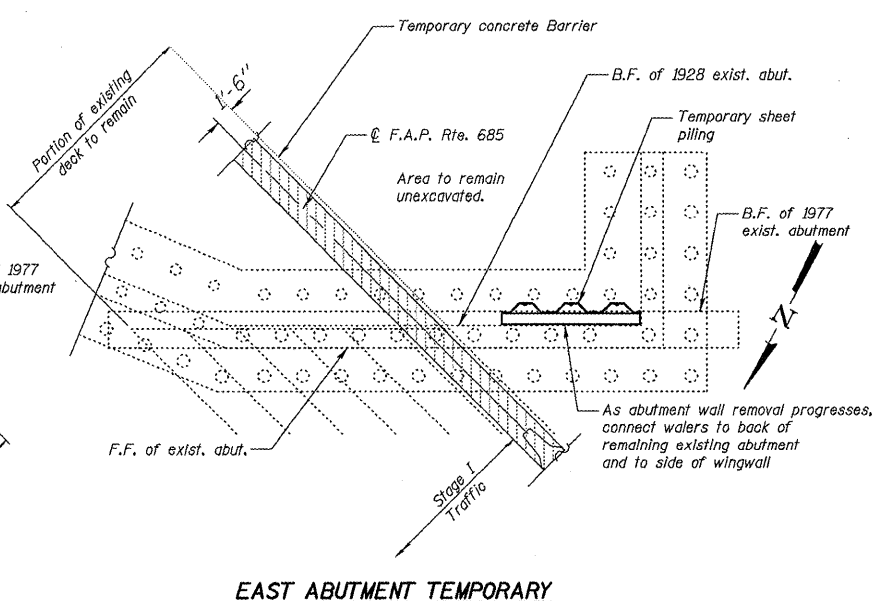
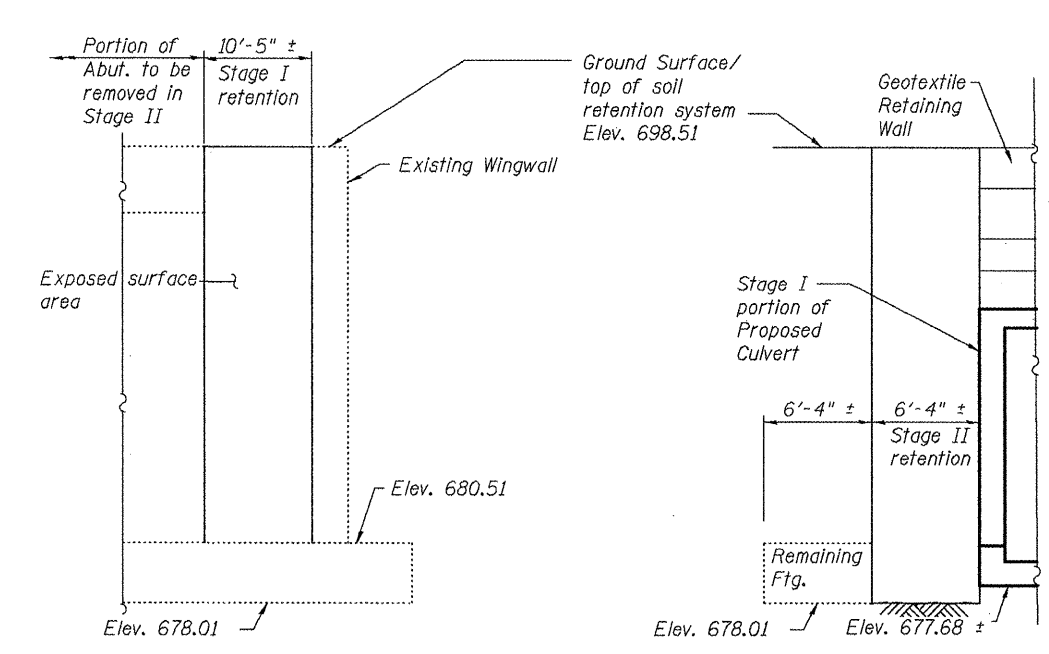


WEST ABUTMENT TEMPORARY SOIL RETENTION SYSTEM



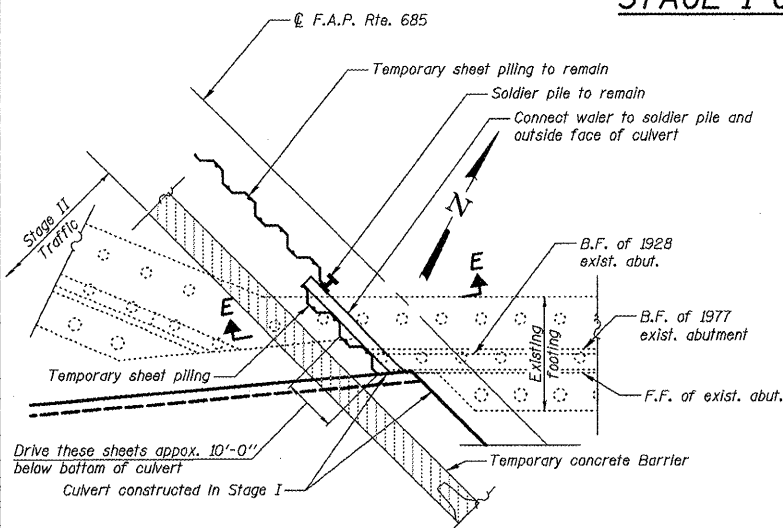
EAST ABUTMENT TEMPORARY SOIL RETENTION SYSTEM



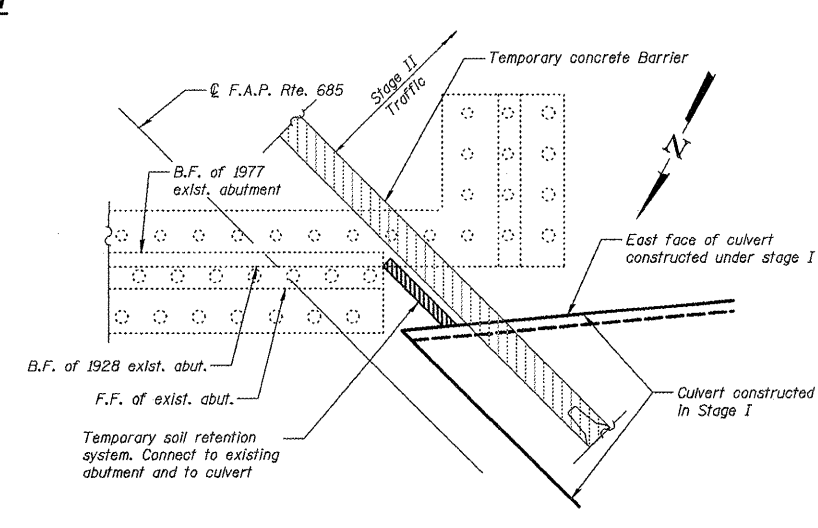
STAGE I EAST ABUT. TEMP. SOIL RETENTION SYSTEM

STAGE II EAST ABUT. TEMP. SOIL RETENTION SYSTEM
Dimension shown are along centerline of roadway.

STAGE I CONSTRUCTION

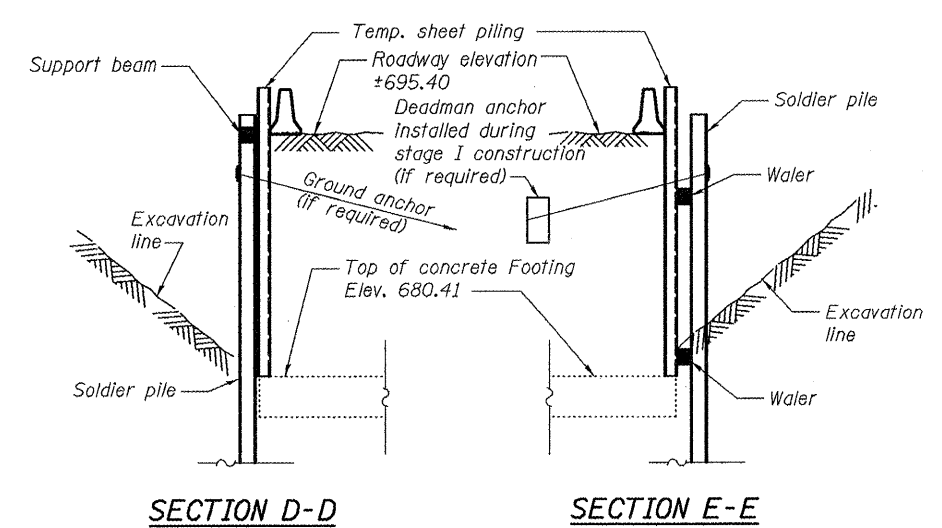


WEST ABUTMENT TEMPORARY SOIL RETENTION SYSTEM



EAST ABUTMENT TEMPORARY SOIL RETENTION SYSTEM

STAGE II CONSTRUCTION

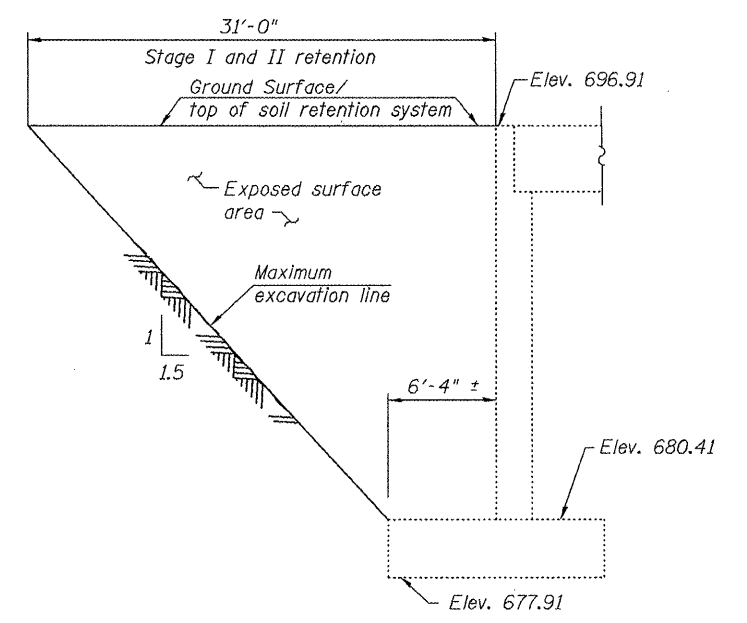


SECTION D-D

SECTION E-E

NOTES

1. A cantilevered sheet piling design does not appear feasible and additional members or other retention systems may be necessary. The Contractor shall submit a temporary soil retention system design including plan details and calculations for review and acceptance by the Engineer.
2. The design shown is a recommendation and does not relieve the contractor of responsibility of preparing and submitting a Temporary Soil Retention System design sealed by a Qualified IL Licensed Structural Engineer. As shown; the cost of Temporary Sheet Piling, Soldier Pile, Support Beam, Ground Anchor, Waler, and Deadman Anchor would be included in the cost of Temporary Soil Retention System.
3. The design, installation, and maintenance of the temporary soil retention system during all phases of construction is the Contractor's responsibility. Quantity calculations for the project were based on the recommendation shown on the plans. If the Contractor's construction method uses a Temporary Soil Retention System which results in larger quantities, Contractor will not be compensated for the increase in quantity, but any adjustment in method shall be reflected in the Contractor's unit bid price.



WEST ABUT. TEMP. SOIL RETENTION SYSTEM

Dimension shown are along centerline of roadway.

FILE NAME =	USER NAME =	DESIGNED - PRD	REVISED -	STATE OF ILLINOIS DEPARTMENT OF TRANSPORTATION	SOIL RETENTION DETAILS STRUCTURE NO. 055-2008	F.A.P. RTE.	SECTION	COUNTY	TOTAL SHEETS	SHEET NO.	
	PLOT SCALE =	CHECKED - AWW	REVISED -				(118)BR-1	MCDONOUGH	43	18	
	PLOT DATE =	DRAWN - DJW	REVISED -			CONTRACT NO. 68662					
		CHECKED - AWW	REVISED -			ILLINOIS FED. AID PROJECT					