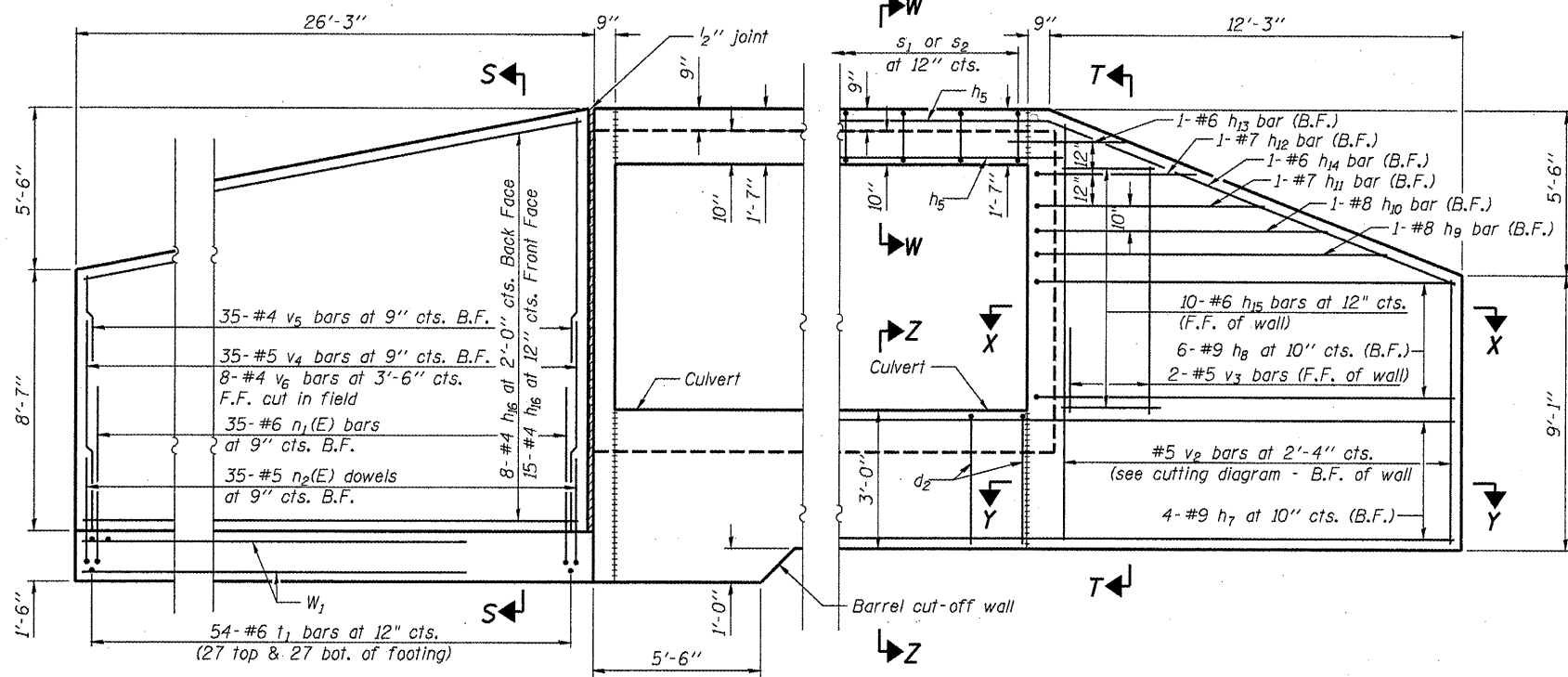
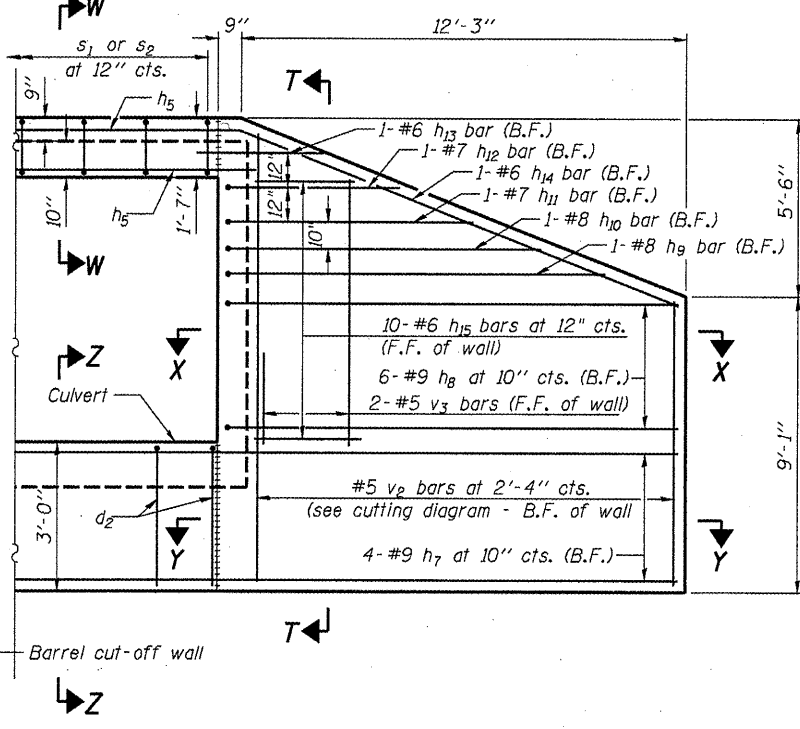


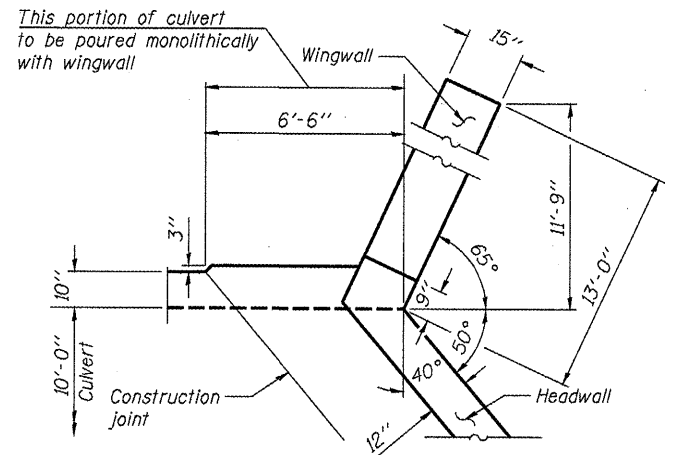
LEGEND
 B.F. = Back Face
 F.F. = Front Face



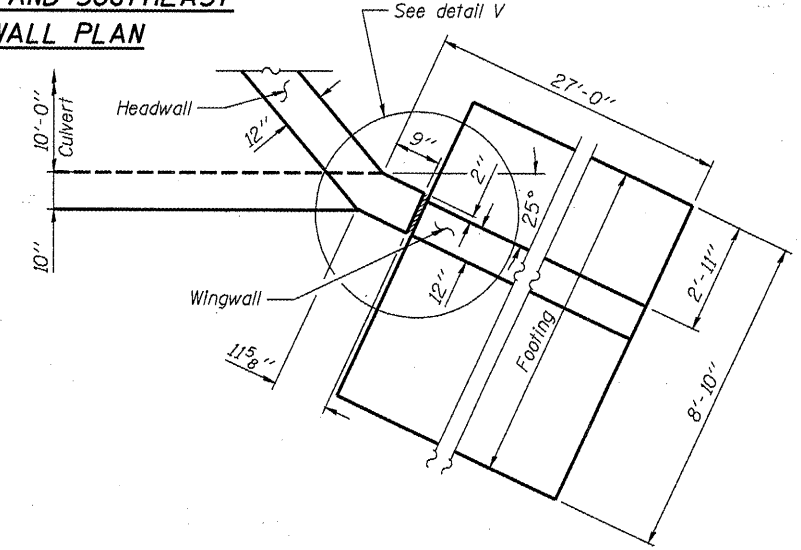
NORTHEAST AND SOUTHWEST WINGWALL ELEVATION



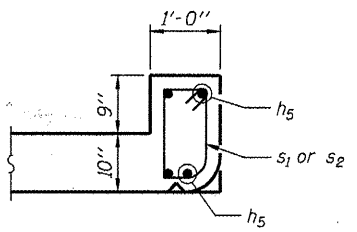
NORTHWEST AND SOUTHWEST WINGWALL ELEVATION



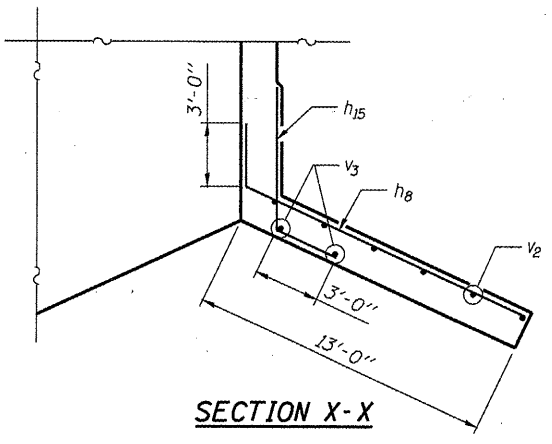
NORTHWEST AND SOUTHWEST WINGWALL PLAN



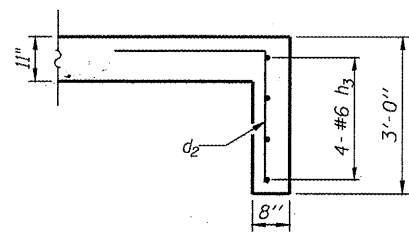
NORTHEAST AND SOUTHWEST WINGWALL PLAN



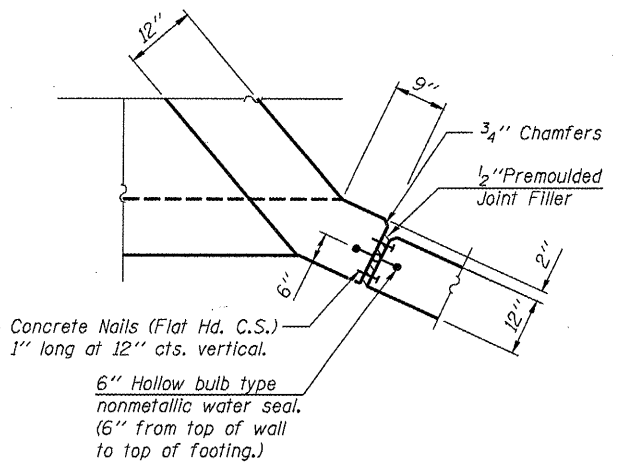
SECTION W-W



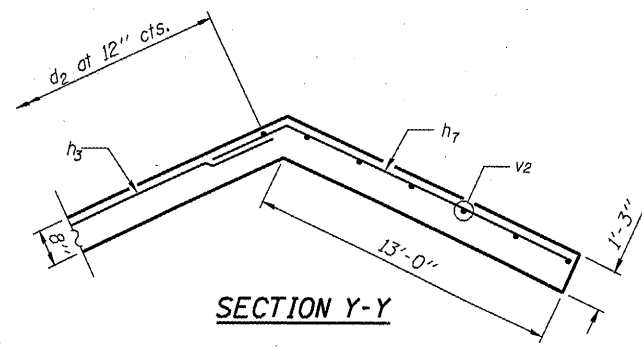
SECTION X-X



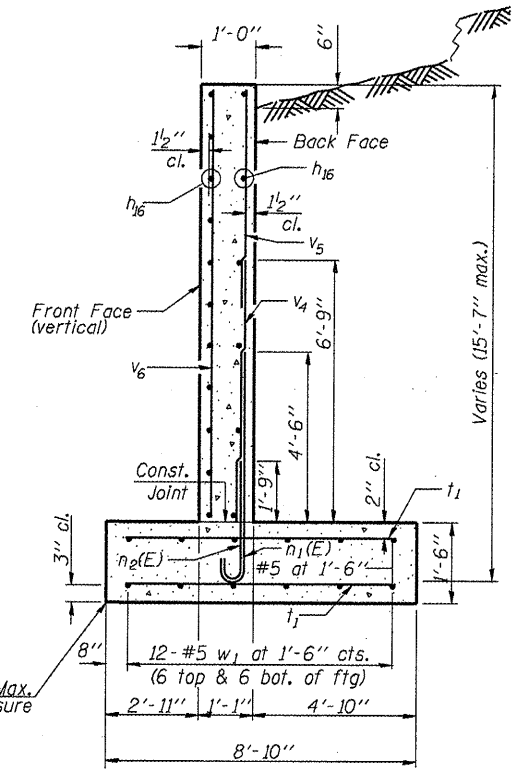
SECTION Z-Z



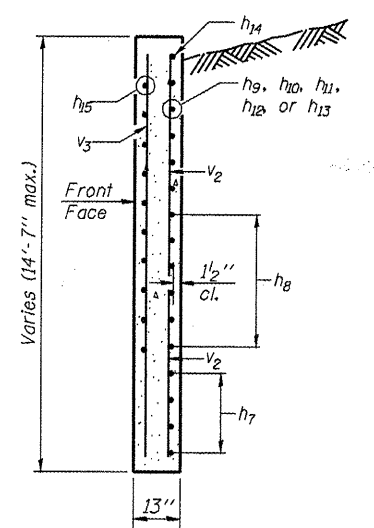
DETAIL V



SECTION Y-Y



SECTION S-S



SECTION T-T

rjngroup
 200 West Front Street
 Woodstock, IL 60187
 Excellence through Ownership

USER NAME = #USER#	DESIGNED - PRD	REVISED -
PLOT SCALE = 1:8.166687	CHECKED - AWW	REVISED -
PLOT DATE = 1/25/2011	DRAWN - DJW	REVISED -
	CHECKED - AWW	REVISED -

**STATE OF ILLINOIS
 DEPARTMENT OF TRANSPORTATION**

**WINGWALL DETAILS
 STRUCTURE NO. 055-2008**

SHEET NO. 10 OF 14 SHEETS

F.A.P. RTE. 685	SECTION (118B)BR-1	COUNTY MCDONOUGH	TOTAL SHEETS 43	SHEET NO. 23
			CONTRACT NO. 68662	
ILLINOIS FED. AID PROJECT				