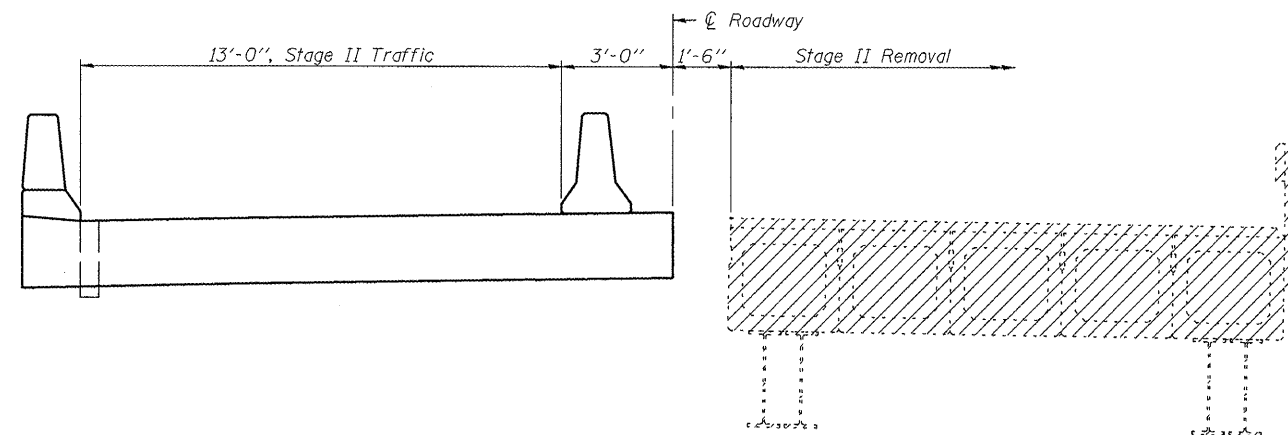
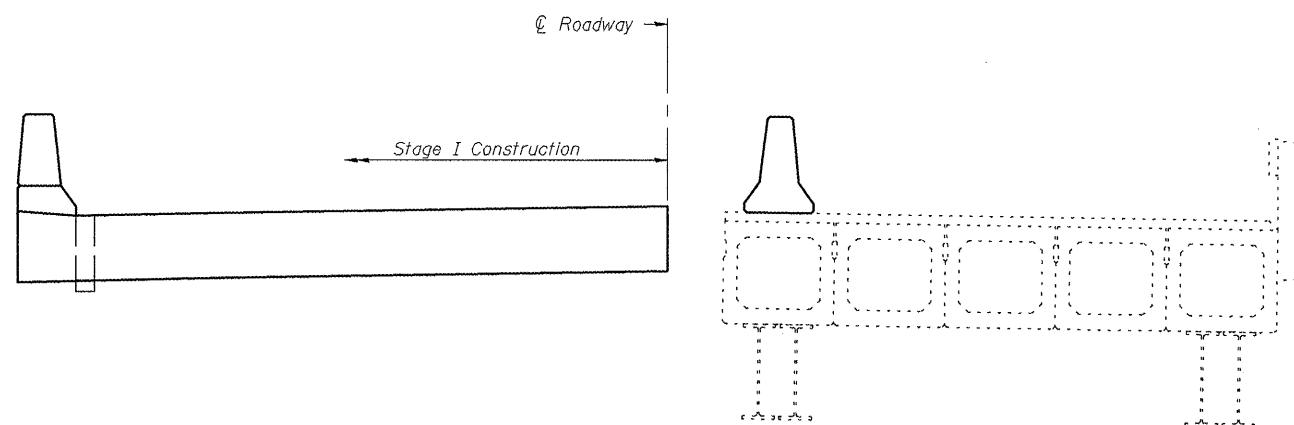


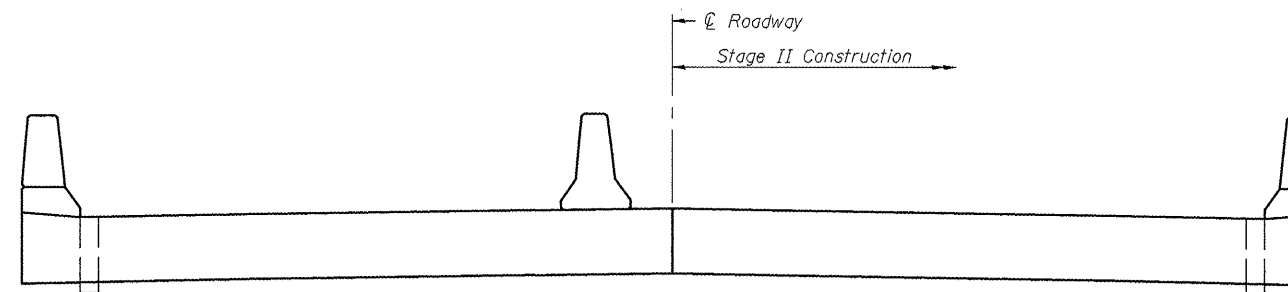
STAGE I REMOVAL



STAGE II REMOVAL



STAGE I CONSTRUCTION



STAGE II CONSTRUCTION

Notes:
 For Temporary Concrete Barrier Details, see sheet 5 of 20.
 All staging cross sections are looking South.
 Hatched area indicates Removal of Existing Structures.
 For quantity of Temporary Concrete Barrier, see roadway plans.

FILE NAME =	USER NAME = elagemann	DESIGNED KAK	REVISED -
1:\08044\IL94\Ced\5\Plans\0360072-68693.dgn		CHECKED EML	REVISED -
		DRAWN KAK	REVISED -
		CHECKED EML	REVISED -

STATE OF ILLINOIS
 DEPARTMENT OF TRANSPORTATION

HORNER &
 SHIRIN, INC.
 ENGINEERS

STAGE CONSTRUCTION DETAILS
 STRUCTURE NO. 036-0072

SHEET NO. 4 OF 20 SHEETS

F.A.P. RTE.	SECTION	COUNTY	TOTAL SHEETS	SHEET NO.
534	1098R-1	HENDERSON	56	17
CONTRACT NO. 68693			ILLINOIS FED. AID PROJECT	