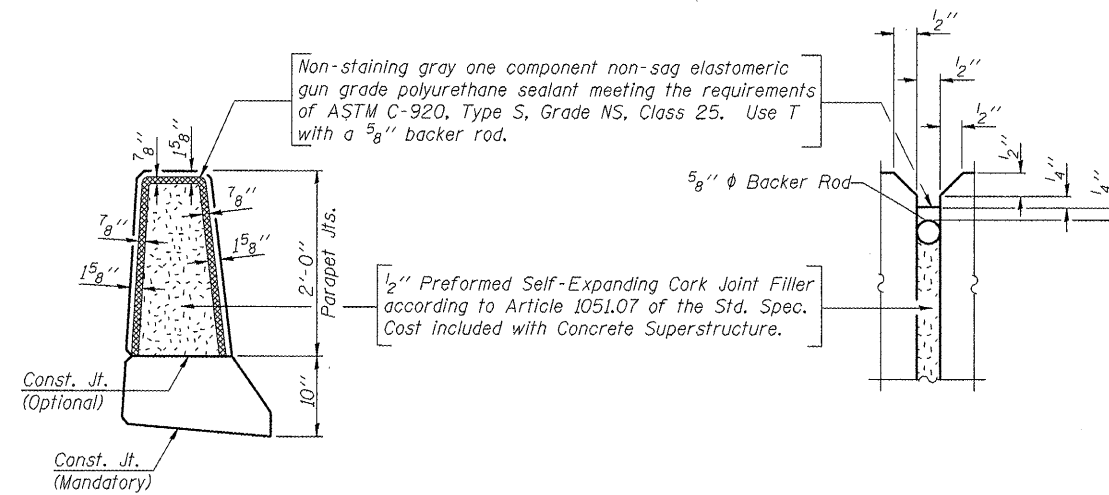


INSIDE ELEVATION OF PARAPET

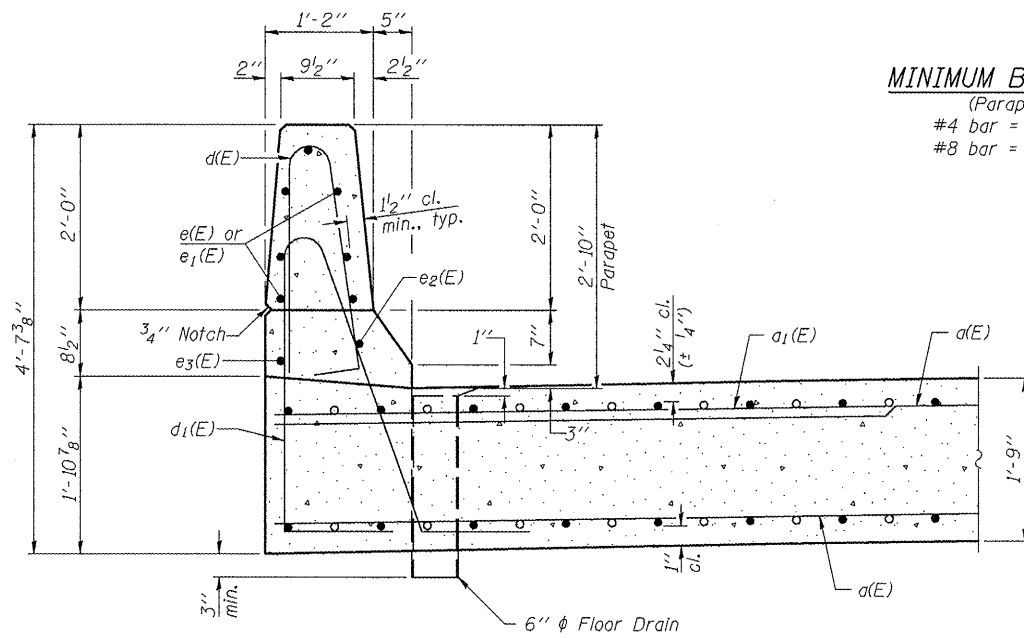


PARAPET JOINT DETAILS

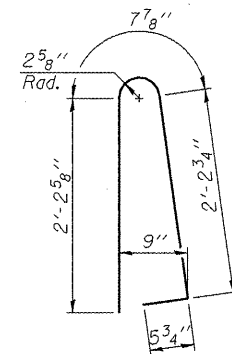
Notes:  
 Fiberglass pipe shall conform to ASTM D 2996, with short-time rupture strength hoop tensile stress of 30,000 p.s.i. minimum.  
 Floor Drains need not be painted.

MINIMUM BAR LAP

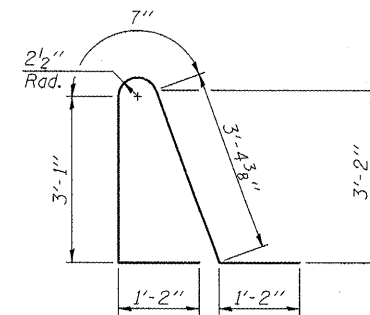
(Parapet)  
 #4 bar = 2'-0"  
 #8 bar = 5'-2"



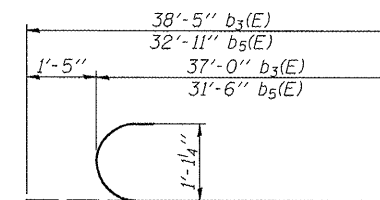
SECTION THRU PARAPET



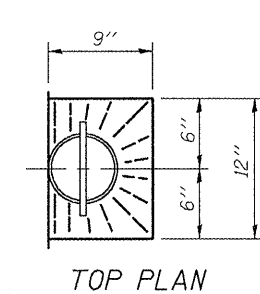
BAR d(E)



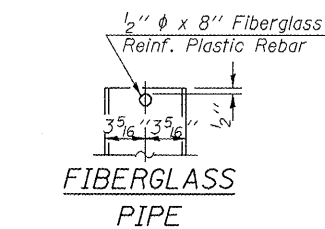
BAR d1(E)



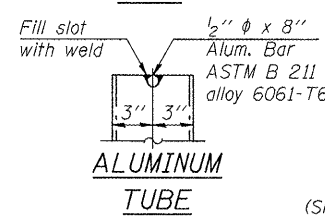
BARS b3(E) and b5(E)



TOP PLAN

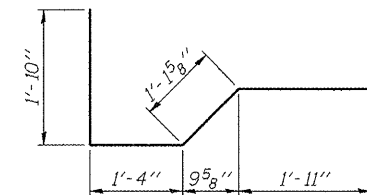


FIBERGLASS PIPE

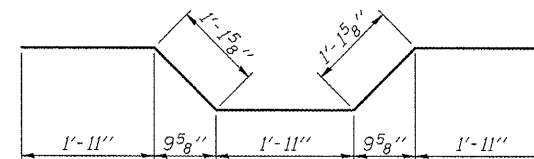


ALUMINUM TUBE

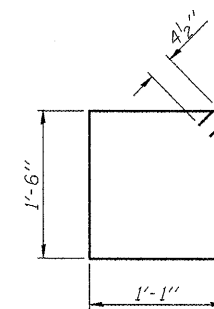
TOP PLAN (Showing Aluminum Tube)



BAR s(E)



BAR s1(E)



BAR s2(E)

SUPERSTRUCTURE BILL OF MATERIAL

Bar	No.	Size	Length	Shape
d(E)	394	#6	17'-4"	—
a1(E)	148	#6	6'-6"	—
b(E)	72	#5	28'-5"	—
b1(E)	72	#10	41'-1"	—
b2(E)	68	#10	29'-5"	—
b3(E)	72	#10	38'-5"	—
b4(E)	36	#10	43'-3"	—
b5(E)	68	#10	32'-11"	—
b6(E)	34	#10	28'-10"	—
d(E)	244	#5	5'-7"	⏏
d1(E)	244	#5	9'-5"	⏏
e(E)	28	#4	15'-3"	—
e1(E)	56	#4	19'-9"	—
e2(E)	8	#8	31'-7"	—
e3(E)	8	#4	29'-3"	—
s(E)	72	#5	6'-3"	—
s1(E)	72	#5	8'-0"	—
s2(E)	112	#4	5'-11"	—
Reinforcement Bars, Epoxy Coated		Pound	74,820	
Concrete Superstructure		Cu. Yds.	286.9	

Bars indicated thus 1 x 4-#8 etc. indicates 1 line of bars with 4 lengths per line.

FILE NAME = 11\08044\IL94\Cad\SV_Plans\0360072-6863.dgn	USER NAME = eiegemann	DESIGNED KAK	REVISED -
PLOT SCALE =		CHECKED EML	REVISED -
PLOT DATE = 12/15/2010		DRAWN KAK	REVISED -
		CHECKED EML	REVISED -

STATE OF ILLINOIS  
 DEPARTMENT OF TRANSPORTATION

HORNER & SHIFRIN, INC.  
 ENGINEERS

SUPERSTRUCTURE DETAILS  
 STRUCTURE NO. 036-0072

SHEET NO. 8 OF 20 SHEETS

F.A.P. RTE. 534	SECTION 109BR-1	COUNTY HENDERSON	TOTAL SHEETS 56	SHEET NO. 21
			CONTRACT NO. 68693	
ILLINOIS FED. AID PROJECT				