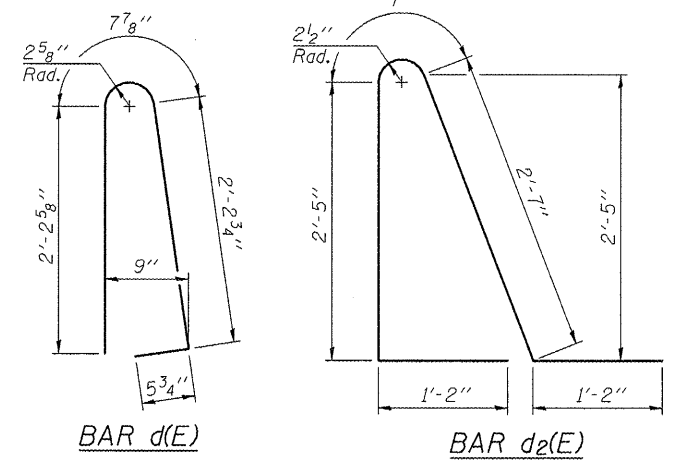
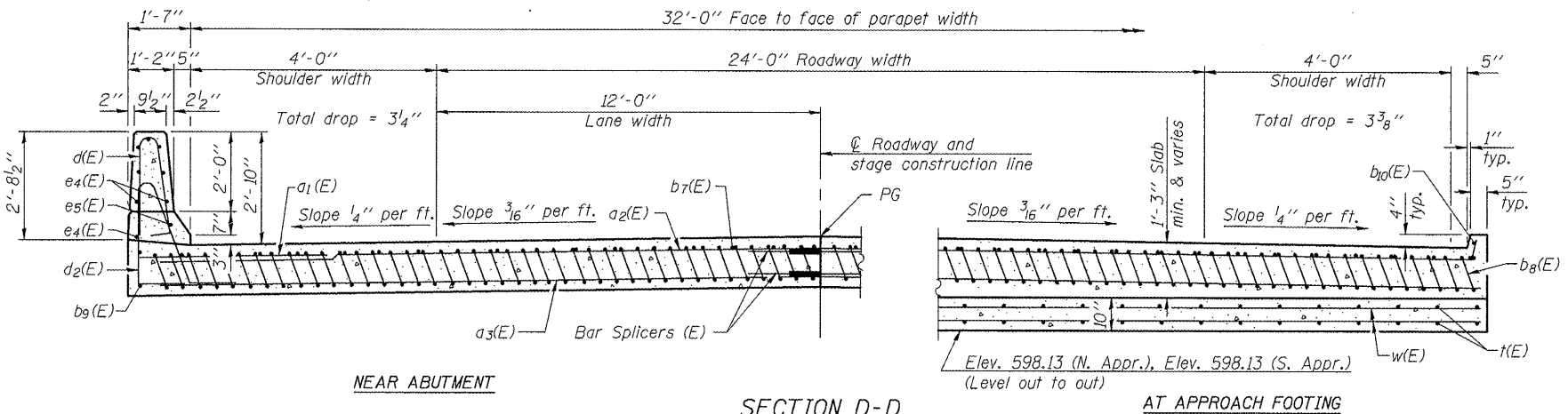
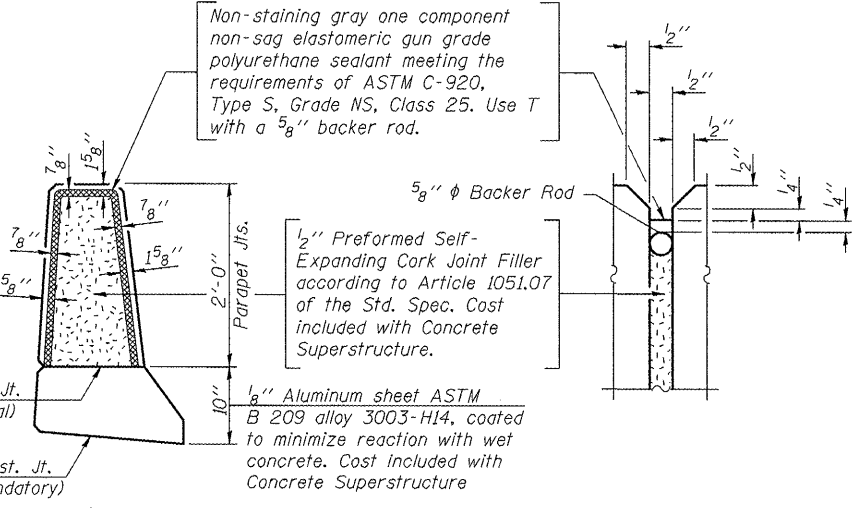
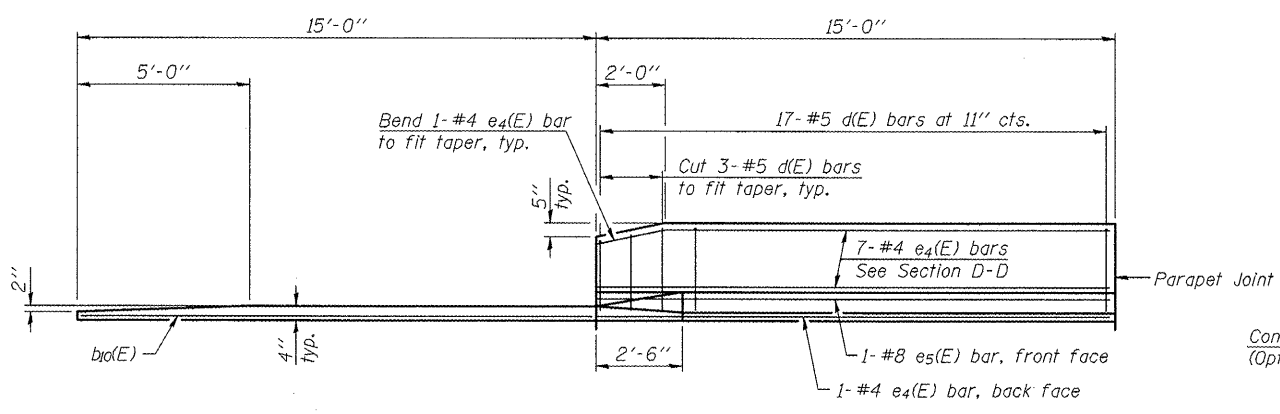


Notes:
 See sheet 9 of 20 for Detail A and View B-B.
 Approach slab and parapet concrete shall be paid for as Concrete Superstructure.
 Approach footing concrete shall be paid for as Concrete Structures.
 Reinforcement shall be paid for as Reinforcement Bars, Epoxy Coated.
 For v2(E) bar details, see sheet 11 of 20.
 The approach footing maximum applied service bearing pressure (Qmax) = 2.0 ksf.
 For bar splicer details, see sheet 14 of 20.
 Cost of excavation for approach footing included with Concrete Structures.
 For Porous Granular Embankment, Special and drainage treatment details, see sheet 2 of 20.
 For additional parapet details, see sheet 8 of 20.

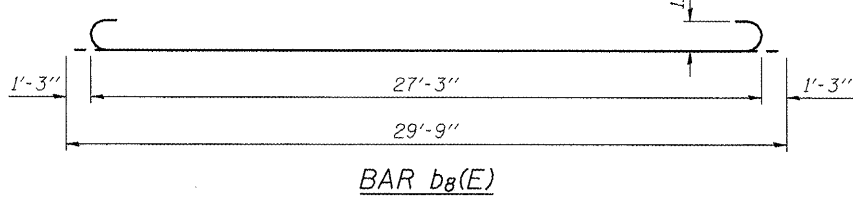
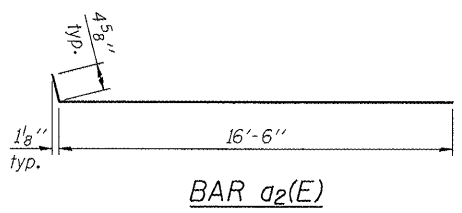


* Tilt #9 b8(E) bars as required to maintain clearance.
 *** Cost included with Concrete Superstructure.



TWO APPROACHES
 BILL OF MATERIAL

Bar	No.	Size	Length	Shape	
a1(E)	48	#6	6'-6"		
a2(E)	100	#4	16'-11"		
a3(E)	184	#5	16'-7"		
b7(E)	56	#4	29'-8"		
b8(E)	160	#9	29'-9"		
b9(E)	4	#4	14'-8"		
b10(E)	4	#4	14'-6"		
d(E)	68	#5	5'-7"		
d2(E)	68	#5	7'-11"		
e4(E)	32	#4	14'-8"		
e5(E)	4	#8	14'-8"		
t(E)	136	#4	9'-8"		
w(E)	160	#5	16'-7"		
Concrete Superstructure				Cu. Yd.	107.4
Concrete Structures				Cu. Yd.	20.9
Reinforcement Bars, Epoxy Coated				Pound	27,240



FILE NAME =	USER NAME = elogemann	DESIGNED KAK	REVISED -
1:\08044\IL94\Cad\5\Plans\0360072-6863.dgn		CHECKED EML	REVISED -
PLOT SCALE =		DRAWN KAK	REVISED -
PLOT DATE = 12/16/2010		CHECKED EML	REVISED -

STATE OF ILLINOIS
 DEPARTMENT OF TRANSPORTATION

HORNER &
 SHIFRIN, INC.
 ENGINEERS

APPROACH SLAB
 STRUCTURE NO. 036-0072
 SHEET NO. 10 OF 20 SHEETS

F.A.P. RTE.	SECTION	COUNTY	TOTAL SHEETS	SHEET NO.
534	109BR-1	HENDERSON	56	23
				CONTRACT NO. 68693
ILLINOIS FED. AID PROJECT				