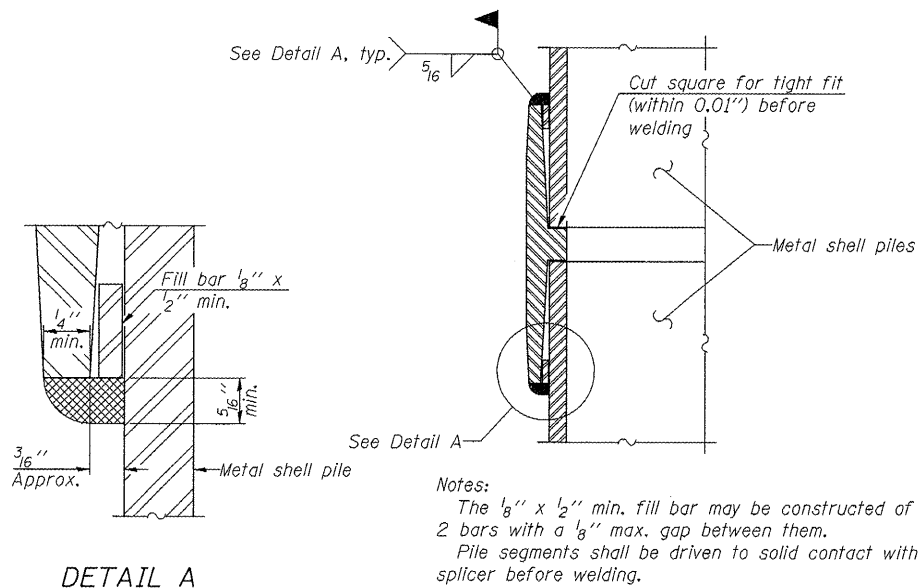


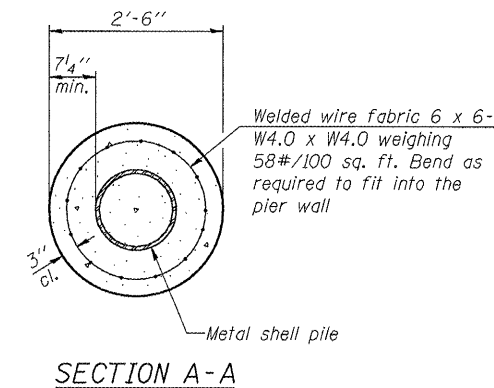
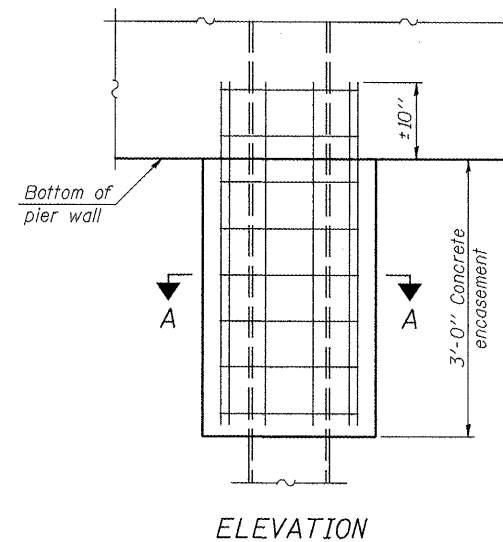
METAL SHELL PILE TABLE

| Designation and outside diameter | Wall thickness t | Weight per foot (Lbs./ft.) | Inside volume (yd. ³ /ft.) |
|----------------------------------|------------------|----------------------------|---------------------------------------|
| PP12 | 0.179" | 22.60 | 0.0274 |
| PP12 | 0.250" | 31.37 | 0.0267 |
| PP14 | 0.250" | 36.71 | 0.0368 |
| PP14 | 0.312" | 45.61 | 0.0361 |



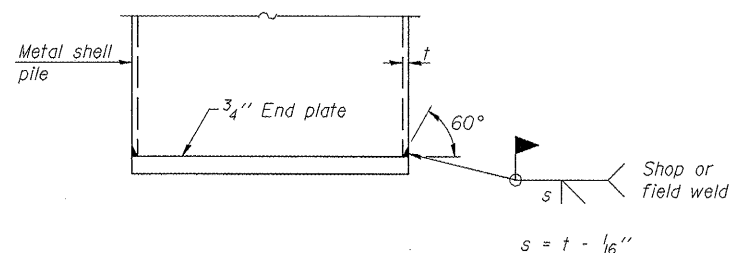
Notes:
 The 1/8" x 1/2" min. fill bar may be constructed of 2 bars with a 1/8" max. gap between them.
 Pile segments shall be driven to solid contact with splicer before welding.

WELDED COMMERCIAL SPLICE

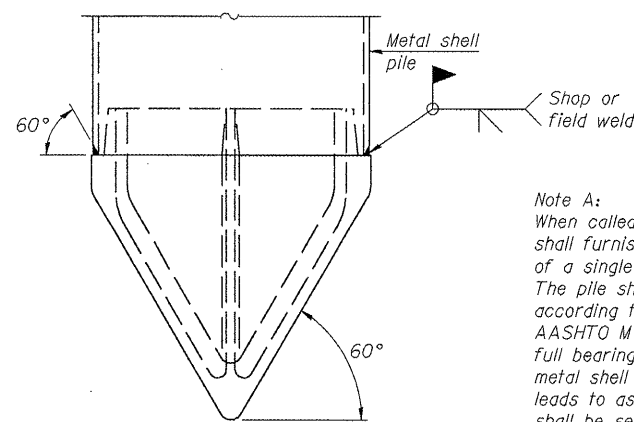


Note:
 Forms for encasement may be omitted when soil conditions permit.

CONCRETE ENCASEMENT AT PIERS



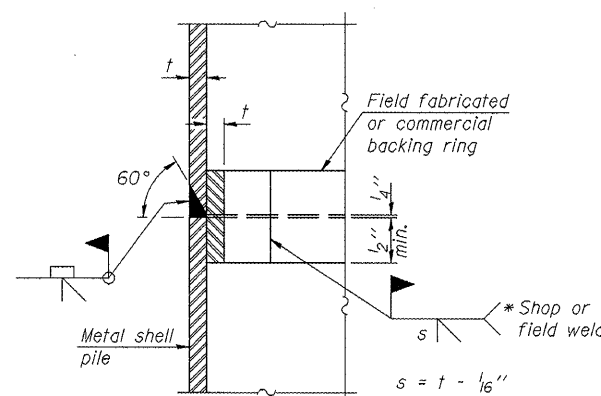
END PLATE ATTACHMENT



Note A:
 When called for on the plans, the Contractor shall furnish metal shell pile shoes consisting of a single piece conical pile point as shown. The pile shoes shall be cast in one piece steel according to either ASTM A 148 Grade 90-60 or AASHTO M 103 Grade 65-35 and shall provide full bearing over the full circumference of the metal shell pile. The pile shoe shall have tapered leads to assure proper alignment and fitting and shall be secured to the pile with a circumferential weld.

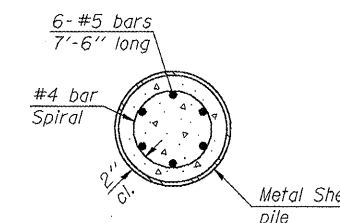
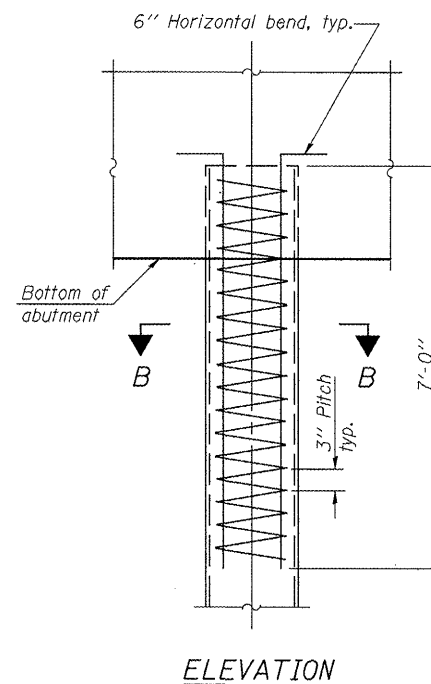
METAL SHELL PILE SHOE ATTACHMENT

(See Note A)



COMPLETE PENETRATION WELD SPLICE

* Field fabricated backing ring may be made from pile shell by removing segment to allow reducing circumference and vertically rejoin with partial joint penetration weld.



SECTION B-B

METAL SHELL REINFORCEMENT AT ABUTMENTS

Note:
 The metal shell piles shall be according to ASTM A 252 Grade 3.

F-MS 7-1-10

| | | | |
|---|-----------------------|--------------|-----------|
| FILE NAME = | USER NAME = elagemann | DESIGNED KAK | REVISED - |
| 1:\08044\1L94\Cad\VS\Plans\0368072-6863.dgn | | CHECKED EML | REVISED - |
| PLOT SCALE = | | DRAWN KAK | REVISED - |
| PLOT DATE = 12/16/2010 | | CHECKED EML | REVISED - |

STATE OF ILLINOIS
 DEPARTMENT OF TRANSPORTATION



METAL SHELL PILE DETAILS
 STRUCTURE NO. 036-0072

SHEET NO. 13 OF 20 SHEETS

| F.A.P. RTE. | SECTION | COUNTY | TOTAL SHEETS | SHEET NO. |
|---------------------------|---------|-----------|--------------------|-----------|
| 534 | 109BR-1 | HENDERSON | 56 | 26 |
| | | | CONTRACT NO. 68693 | |
| ILLINOIS FED. AID PROJECT | | | | |