

STANDARD BAR SPLICER ASSEMBLY

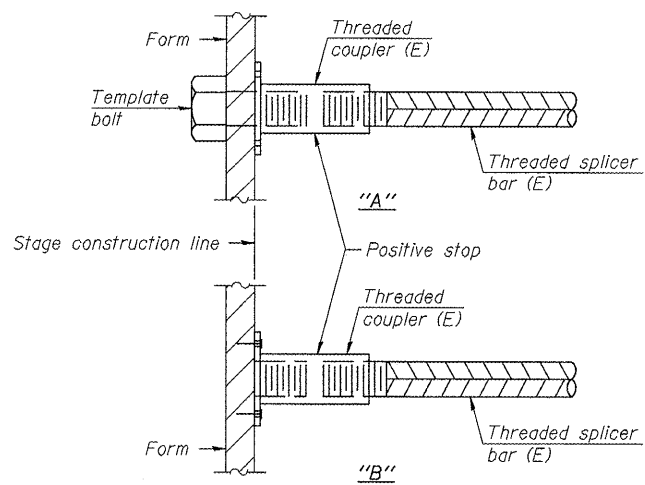
Minimum Lap Lengths					
Bar size to be spliced	Table 1	Table 2	Table 3	Table 4	Table 5
3, 4	1'-5"	1'-11"	2'-1"	2'-4"	2'-3"
5	1'-9"	2'-5"	2'-7"	2'-11"	2'-10"
6	2'-1"	2'-11"	3'-1"	3'-6"	3'-4"
7	2'-9"	3'-10"	4'-2"	4'-8"	4'-6"
8	3'-8"	5'-1"	5'-5"	6'-2"	5'-10"
9	4'-7"	6'-5"	6'-10"	7'-9"	7'-5"

Table 1: Black bar, 0.8 Class C
 Table 2: Black bar, Top bar lap, 0.8 Class C
 Table 3: Epoxy bar, 0.8 Class C
 Table 4: Epoxy bar, Top bar lap, 0.8 Class C
 Table 5: Epoxy bar, Top bar lap, Class B

Threaded splicer bar length = min. lap length + 1/2" + thread length

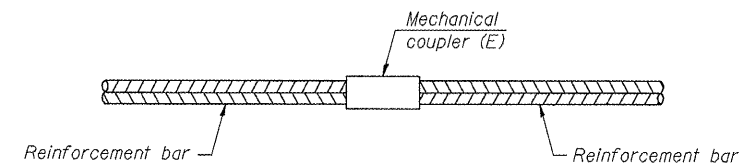
* Epoxy not required on Bar Splicer Assembly components used in conjunction with black bars.

Location	Bar size	No. assemblies required	Table for minimum lap length
Approach Slabs	#4	50	Table 4
Approach Slabs	#5	172	Table 3
Slab	#6	197	Table 4
Abutments	#9	20	Table 4
Piers	#8	20	Table 4
Piers	#6	52	Table 4



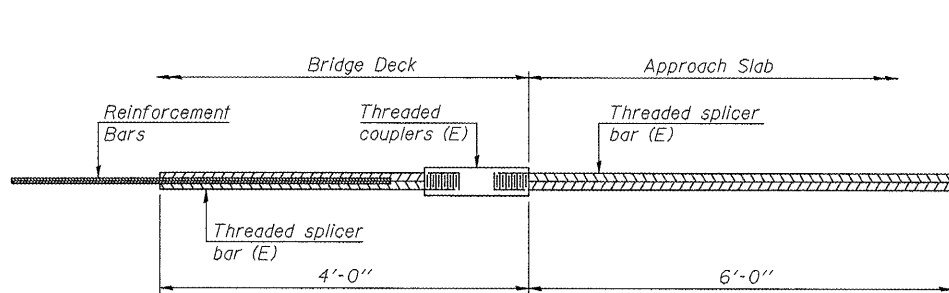
INSTALLATION AND SETTING METHODS

"A": Set bar splicer assembly by means of a template bolt.
 "B": Set bar splicer assembly by nailing to wood forms or cementing to steel forms.
 (E) : Indicates epoxy coating.



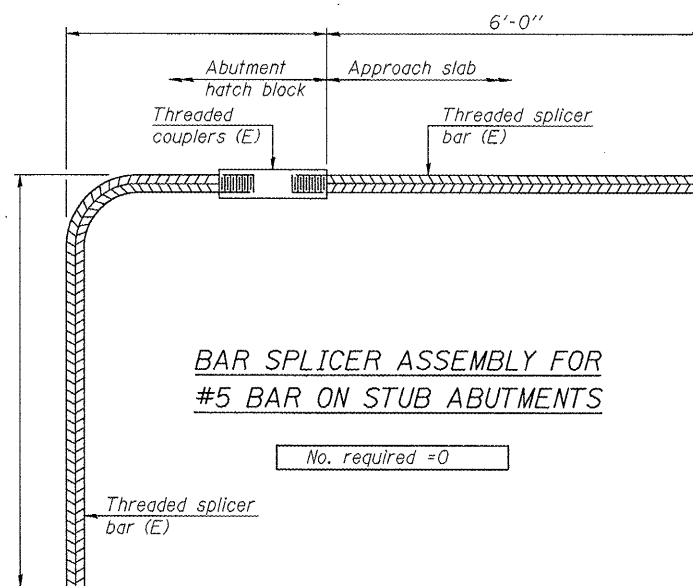
STANDARD MECHANICAL SPLICER

Location	Bar size	No. assemblies required
Piers	#6	120



BAR SPLICER ASSEMBLY FOR #5 BAR ON INTEGRAL OR SEMI-INTEGRAL ABUTMENTS

No. required = 0



BAR SPLICER ASSEMBLY FOR #5 BAR ON STUB ABUTMENTS

No. required = 0

NOTES

Splicer bars shall be deformed with threaded ends and have a minimum 60 ksi yield strength.
 All reinforcement shall be lapped and tied to the splicer bars.
 Bar splicer assemblies shall be epoxy coated according to the requirements for reinforcement bars. See Section 508 of the Standard Specifications.
 See special provision for Mechanical Splicers.
 See approved list of bar splicer assemblies and mechanical splicers for alternatives.

BSD-1

7-1-10

FILE NAME = 1:\08044\1L94\Cad\S\Plans\0360072-68693.dgn	USER NAME = elagemann	DESIGNED KAK	REVISED -
		CHECKED EML	REVISED -
		DRAWN KAK	REVISED -
		CHECKED EML	REVISED -
PLOT SCALE =			
PLOT DATE = 12/16/2010			

STATE OF ILLINOIS
 DEPARTMENT OF TRANSPORTATION

HORNER &
 SHIRIN, INC.
 ENGINEERS

BAR SPLICER ASSEMBLY AND MECHANICAL SPLICER DET.
 STRUCTURE NO. 036-0072

F.A.P. RTE. 534	SECTION 109BR-1	COUNTY HENDERSON	TOTAL SHEETS 56	SHEET NO. 27
				CONTRACT NO. 68693
ILLINOIS FED. AID PROJECT				

SHEET NO. 14 OF 20 SHEETS