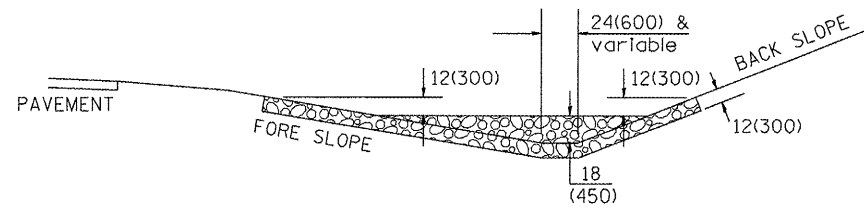
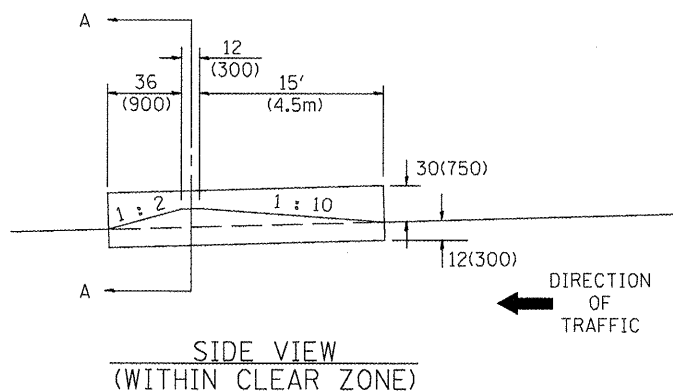


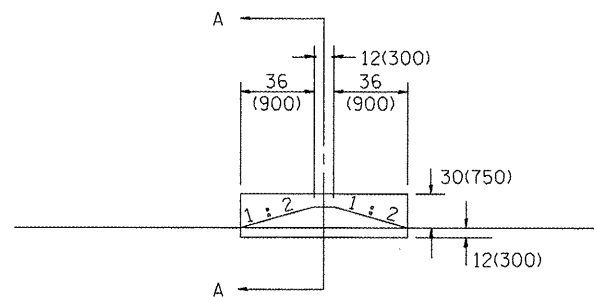
DESIGNER NOTES:  
 1. Designer to modify this detail Special Detail Sheet, as needed, for inclusion in plans.  
 2. Determine the required clear zone in order to select the berm slopes.  
 3. Include State Standard 280001.



SECTION A - A

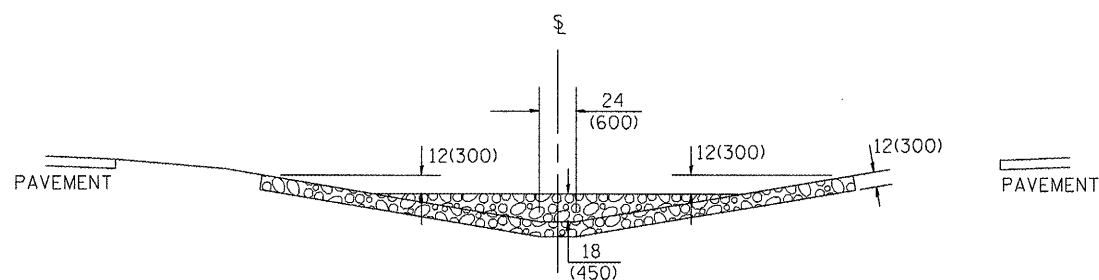


SIDE VIEW  
(WITHIN CLEAR ZONE)

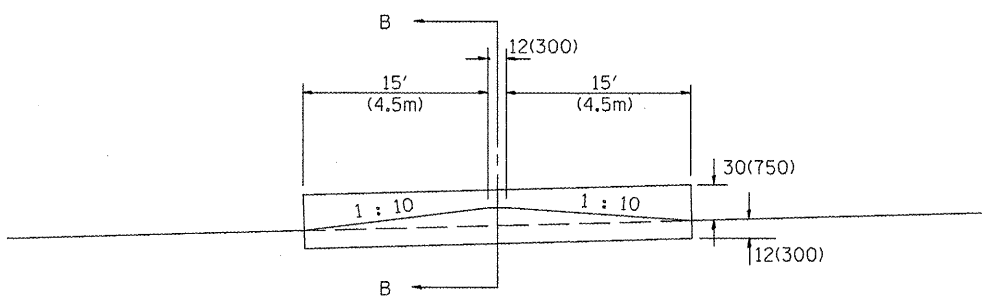


SIDE VIEW  
(OUTSIDE OF CLEAR ZONE)

SIDE DITCH AGGREGATE DITCH CHECK



SECTION B - B



SIDE VIEW

MEDIAN AGGREGATE DITCH CHECK

NOTES:

- FOR DITCH BOTTOM PROTECTED BY EXCELSIOR BLANKET, USE 400'(120m) SPACING. FOR SEEDED DITCH BOTTOM, USE 200'(60m) SPACING.
- THIS WORK CONSISTS OF THE COMPLETE INSTALLTION OF EROSION CONTROL DITCH CHECK AT LOCATIONS AS SHOWN ON THE PLANS, OR AS DIRECTED BY THE ENGINEER. THE AGGREGATE GRADATION SHALL BE RR3 WITH A MINIMUM QUALITY OF CLASS B.

STATION	LOCATION			NUMBER OF DITCH CHECKS	FORE SLOPE	DITCH BOTTOM WIDTH	BACK SLOPE	BERM SLOPE
	MEDIAN	SIDE DITCH LEFT	SIDE DITCH RIGHT					

ESTIMATE QUANTITIES

	FORE SLOPE	DITCH BOTTOM	BACK SLOPE	BERM SLOPE	AGGREGATE DITCH CHECK EROSION CONTROL METRIC (TON/TON)
MEDIAN DITCH	1 : 6	24(600)	—	1 : 10	95(86)
SIDE DITCH	1 : 6	24(600)	1 : 4	1 : 10 & 1 : 2	50(45)
SIDE DITCH	1 : 6	24(600)	1 : 4	1 : 2 & 1 : 2	19(17)
SIDE DITCH	1 : 4	24(600)	1 : 3	1 : 10 & 1 : 2	18(16)
SIDE DITCH	1 : 4	24(600)	1 : 3	1 : 2 & 1 : 2	14(13)

QUANTITIES		
CALC. BY:	_____	DATE: _____
CHECKED BY:	_____	DATE: _____

QUANTITY CALCULATIONS ARE ON FILE AT THE DISTRICT 4 OFFICE, BUREAU OF PROJECT IMPLEMENTATION, DOCUMENTATION SECTION

NO.	DESCRIPTION	DATE	BY
1-1-97	RENUM. A-12.04, NEW REVISION BOX, REVISED TITLE BOX, ADDED QUANTITY CALCULATION BOX		T.P.
9-15-05	REVISED DESIGNER NOTE		M.A.
10-16-06	REVISED RR3 QUALITY & TO 2007 SPEC.	10/21/06	MVA.

STATE OF ILLINOIS  
 DEPARTMENT OF TRANSPORTATION

EROSION CONTROL AGGREGATE DITCH CHECK

F.A.P. RTE.	SECTION	COUNTY	TOTAL SHEETS	SHEET NO.
534	109BR-1	HENDERSON	56	47

IL 94/116 OVER ELLISON CREEK CONTRACT NO. 68693  
 FED. ROAD DIST. NO. ILLINOIS FED. AID PROJECT

All slope ratios are expressed as units of vertical displacement to units of horizontal displacement (V:H).  
 All dimensions are in inches (millimeters) unless otherwise noted.

LAST SHOWN = 12/14/2010  
 PERM FILE = 18-ha1-f-01  
 PLOT CENTER = 18-v95p01-back-ha1-f-01

NOT TO SCALE CADD STD. 280101-D4