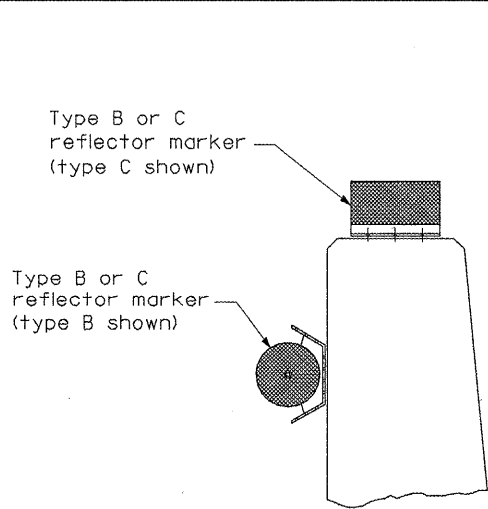
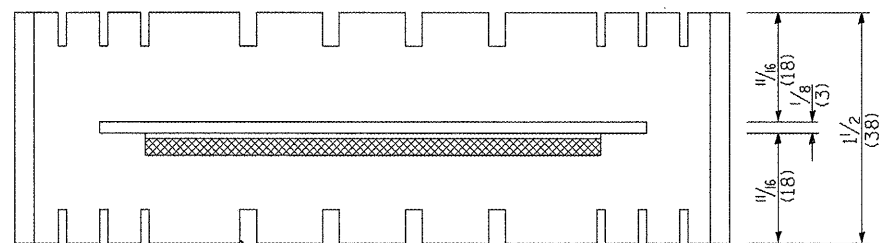


TYPICAL MOUNTING DETAIL FOR BRIDGE RAIL REFLECTOR

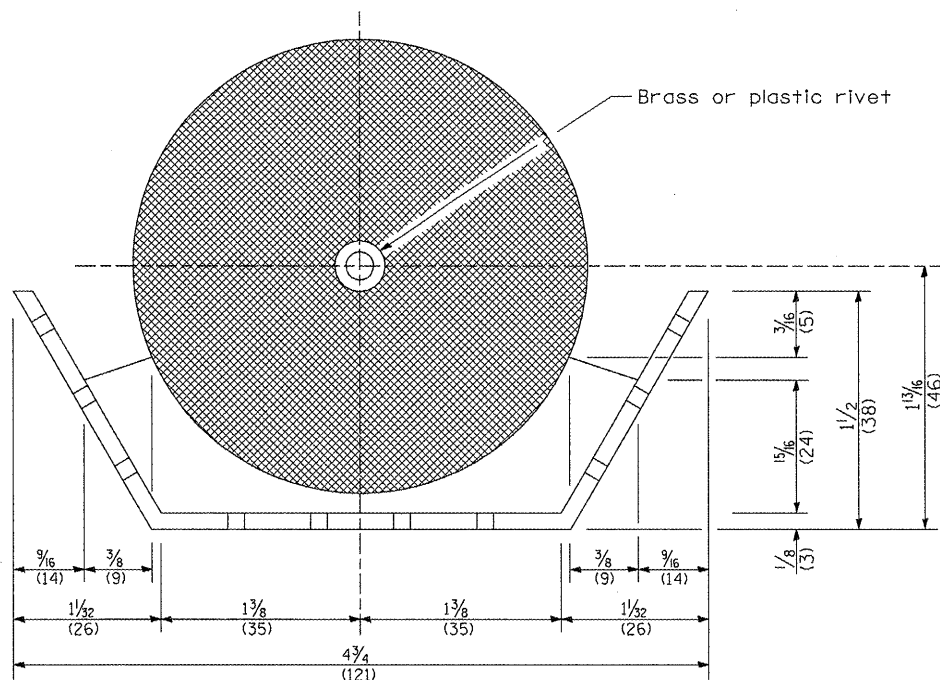


TYPICAL MOUNTING DETAIL FOR BARRIER WALL REFLECTOR

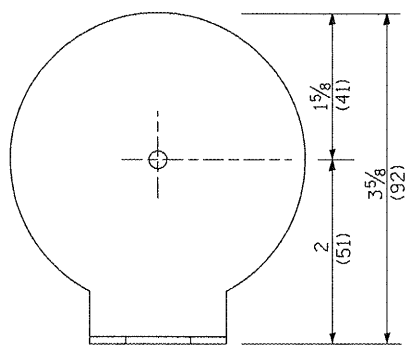
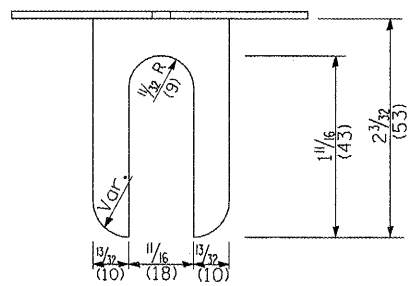
REFLECTOR MOUNTING



Adhesive weep slots or holes equally spaced on both sides

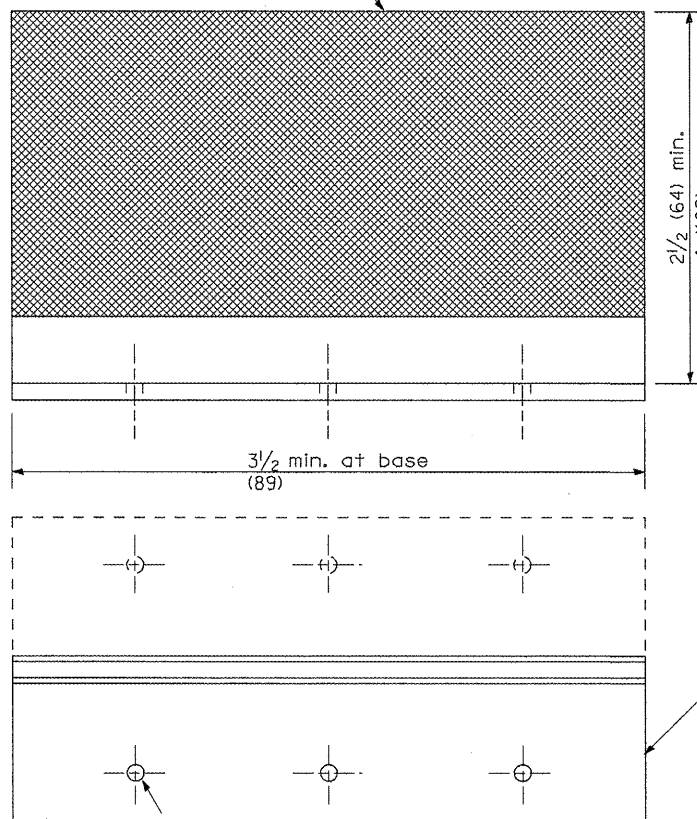


REFLECTOR MARKER TYPE B



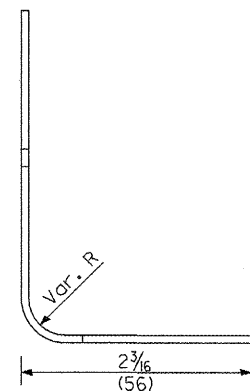
REFLECTOR MARKER TYPE A

Min. reflective area 6 1/2 sq. in. (4,194 mm<sup>2</sup>) each side. May be rectangular or slight trapezoid.

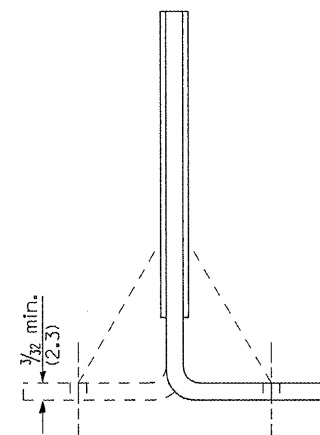


REFLECTOR MARKER TYPE C

3 min. adhesive weep holes or slots each side, variable spacing.



TYPICAL GUARDRAIL MOUNTING WITH REFLECTOR MARKER TYPE A



Cross section may be "T" or "L" shaped and may have side supports at ends.

REFLECTORS

LAST SAVED = 12/14/2010  
PEN TABLE = 08-Hal.F.dwg  
PLOT DRIVER = HP-GL/PS-2/Black-Hal.F.plt

10:21:24 AM

STATE OF ILLINOIS  
DEPARTMENT OF TRANSPORTATION

GUARDRAIL AND BARRIER WALL DELINEATION

NOT TO SCALE

SHT. 3 OF 3  
CADD STD. 635101-D4

All dimensions are in inches (millimeters) unless otherwise noted.

F.A.P. R/E.	SECTION	COUNTY	TOTAL SHEETS	SHEET NO.
534	109BR-1	HENDERSON	56	54
IL 94/116 OVER ELLISON CREEK			CONTRACT NO. 68693	
FED. ROAD DIST. NO. ILLINOIS			FED. AID PROJECT	