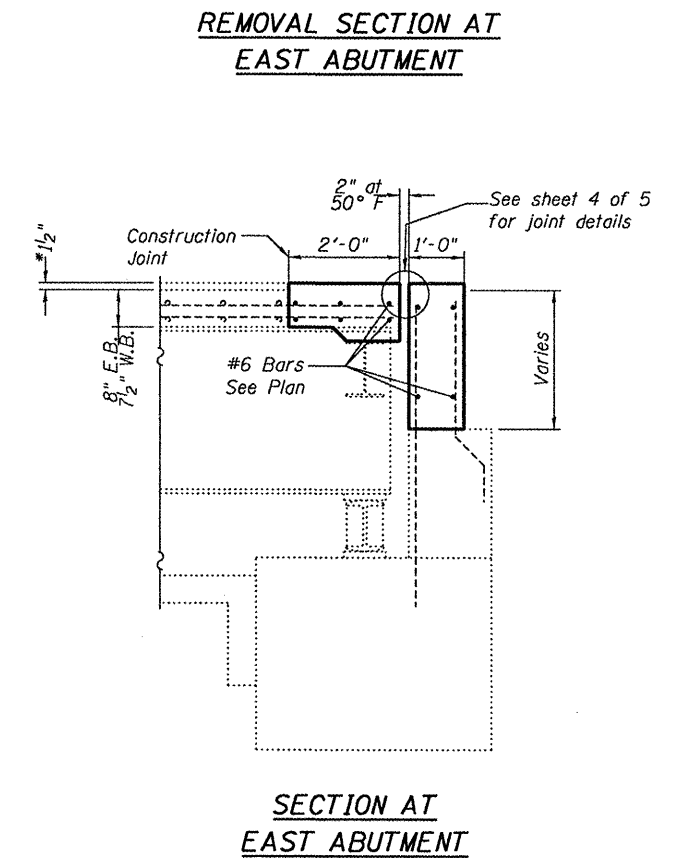
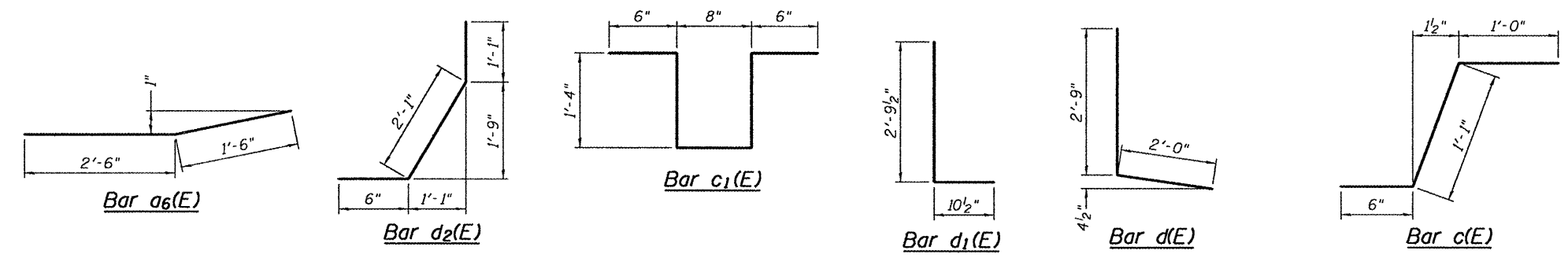


*Removal of existing 1/2" HMA overlay at East Abutment is included with Concrete Removal.



BILL OF MATERIAL

Bar	No.	Size	Length	Shape
a(E)	12	#6	8'-6"	—
a ₁ (E)	6	#6	20'-6"	—
a ₂ (E)	6	#6	12'-10"	—
a ₃ (E)	6	#6	21'-9"	—
a ₄ (E)	6	#6	13'-5"	—
a ₅ (E)	6	#6	27'-9"	—
a ₆ (E)	3	#6	4'-0"	—
a ₇ (E)	6	#6	19'-3"	—
c(E)	15	#5	2'-7"	┌
c ₁ (E)	6	#5	4'-4"	┌
c ₂ (E)	5	#5	5'-7"	┌
d(E)	6	#4	4'-9"	┌
d ₁ (E)	3	#6	3'-8"	┌
d ₂ (E)	3	#6	3'-8"	┌
h(E)	8	#6	8'-6"	—
h ₁ (E)	4	#6	20'-6"	—
h ₂ (E)	4	#6	12'-10"	—
h ₃ (E)	4	#6	21'-9"	—
h ₄ (E)	4	#6	13'-5"	—
h ₅ (E)	4	#6	27'-9"	—
h ₆ (E)	4	#6	19'-3"	—
Concrete Removal			Cu. Yd.	26.2
Concrete Superstructure			Cu. Yd.	26.2
Reinforcement Bars, Epoxy Coated			Lbs.	2,160



DESIGNED - I.J.L.
 CHECKED - A.T.H.
 DRAWN - Drew Christopher
 CHECKED - I.J.L. A.T.H.

EXAMINED - *Joan F. [Signature]*
 ACTING ENGINEER OF STRUCTURAL SERVICES

PASSED - *[Signature]*
 ACTING ENGINEER OF BRIDGES AND STRUCTURES

DATE - February 3, 2011

STATE OF ILLINOIS
DEPARTMENT OF TRANSPORTATION

EAST ABUTMENT DETAILS
SN 072-0134
 SHEET NO. 3 OF 6 SHEETS

F.A.P. RTE. 317	SECTION (48B)I-1	COUNTY Peoria	TOTAL SHEETS 26	SHEET NO. 23
CONTRACT NO. 68995			ILLINOIS FED. AID PROJECT	