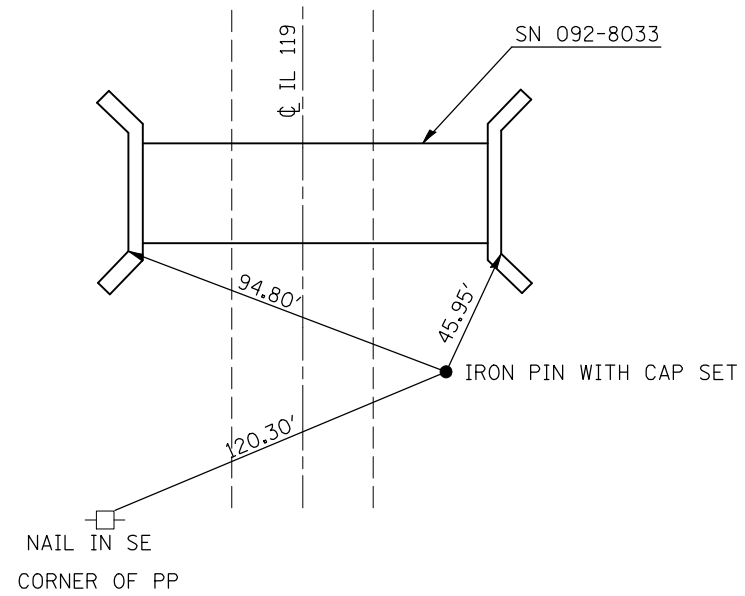
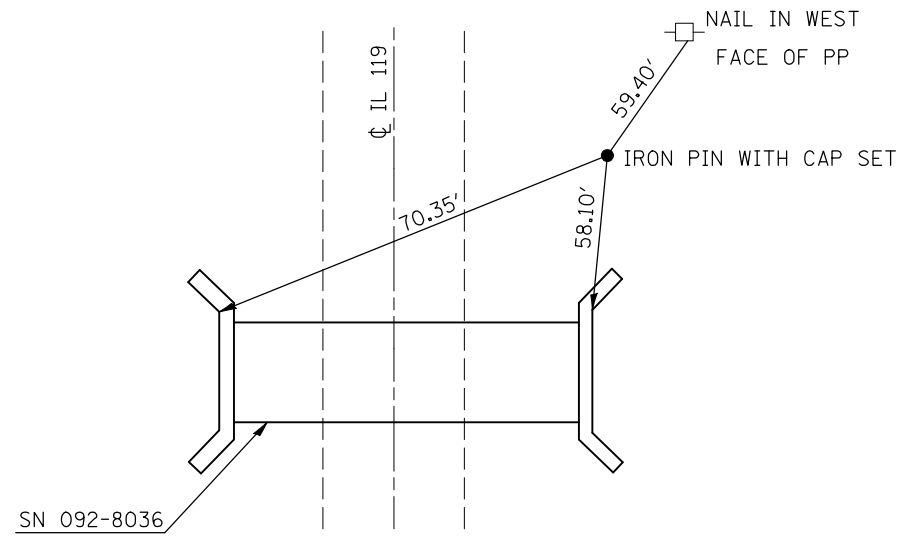


**TS 401**  
**STA. 626 + 84.07, 32.86' RT**



**TS 407**  
**STA. 889 + 98.45, 18.27' RT**



FILE NAME =	USER NAME = bowerm1	DESIGNED -	REVISED -
ct:\pw\work\p\dot\bowerm1\d0186764\7080	details.dgn	DRAWN -	REVISED -
	PLOT SCALE = 40.0000' / IN.	CHECKED -	REVISED -
	PLOT DATE = 11/30/2010	DATE -	REVISED -

**STATE OF ILLINOIS**  
**DEPARTMENT OF TRANSPORTATION**

<b>TIE POINTS</b>			
SCALE:	SHEET NO.	OF SHEETS	STA. TO STA.

F.A.P. RTE.	SECTION	COUNTY	TOTAL SHEETS	SHEET NO.
711	116CR	VERMILION	50	7
CONTRACT NO. 70801				
ILLINOIS FED. AID PROJECT				