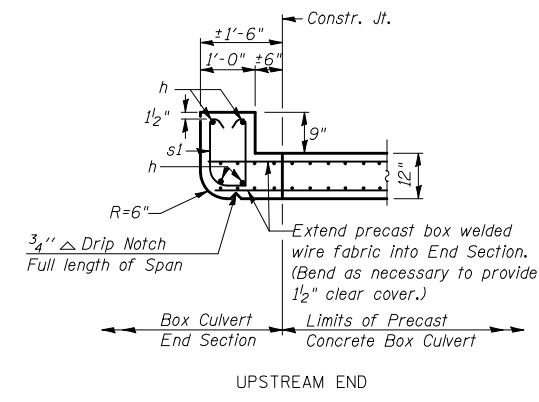
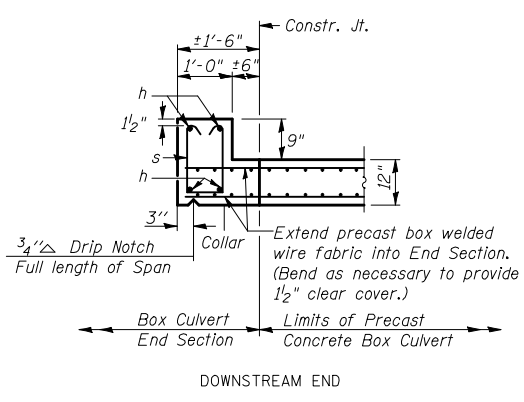
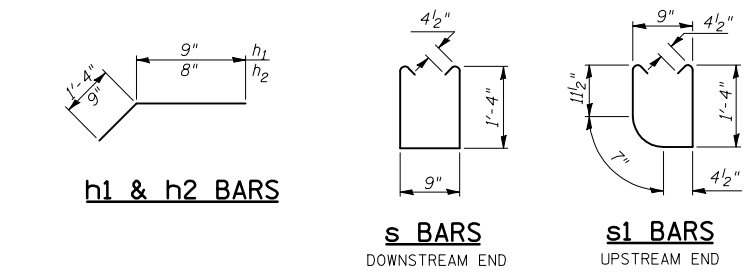


BILL OF MATERIAL
For Information Only
(One End Section)

Bar	No.	Size	Length	Shape
h	4	#6	14'-0"	—
h ₁	16	#4	2'-1"	—
h ₂	16	#4	1'-5"	—
s or s ₁	12	#4	4'-2"	—
v	14	#5	8'-6"	—

Item	Unit	Total
Concrete Box Culverts	Cu. Yd.	13.2
Reinforcement Bars	Pound	279.0
Welded Wire Fabric	Sq. Ft.	795.0



SHEET 2 OF 7

END SECTION DETAILS
12'x6' PRECAST BOX CULVERT
F.A.P. ROUTE 711 - SECTION 116CR
VERMILION COUNTY
STATION 627+36, S.N. 092-8074
CULVERT NO. 1