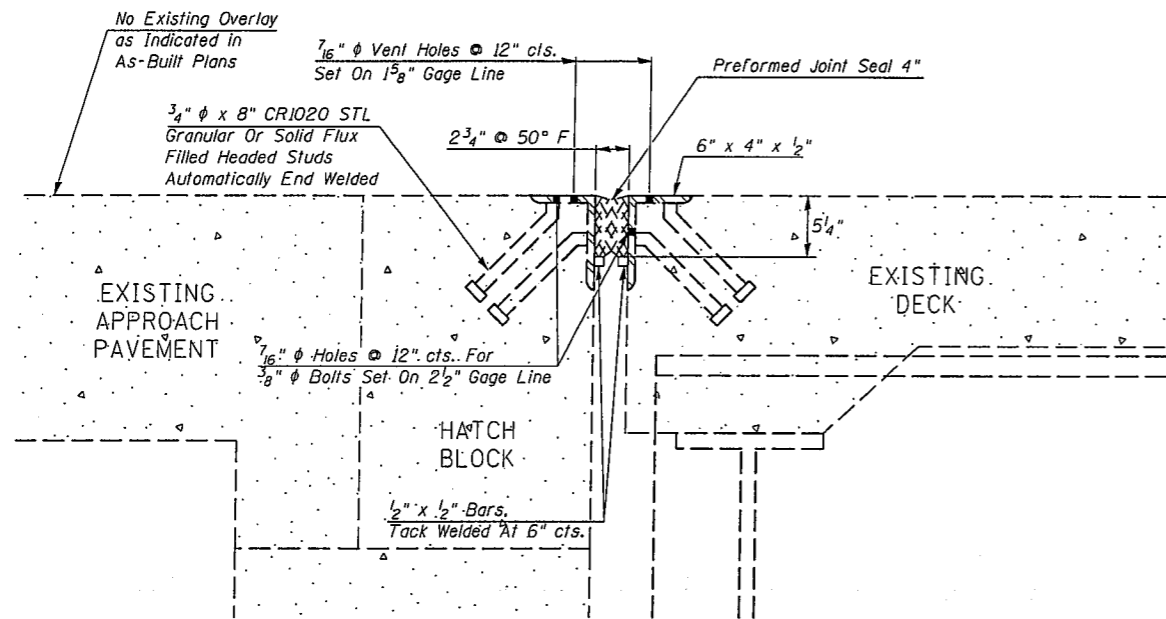
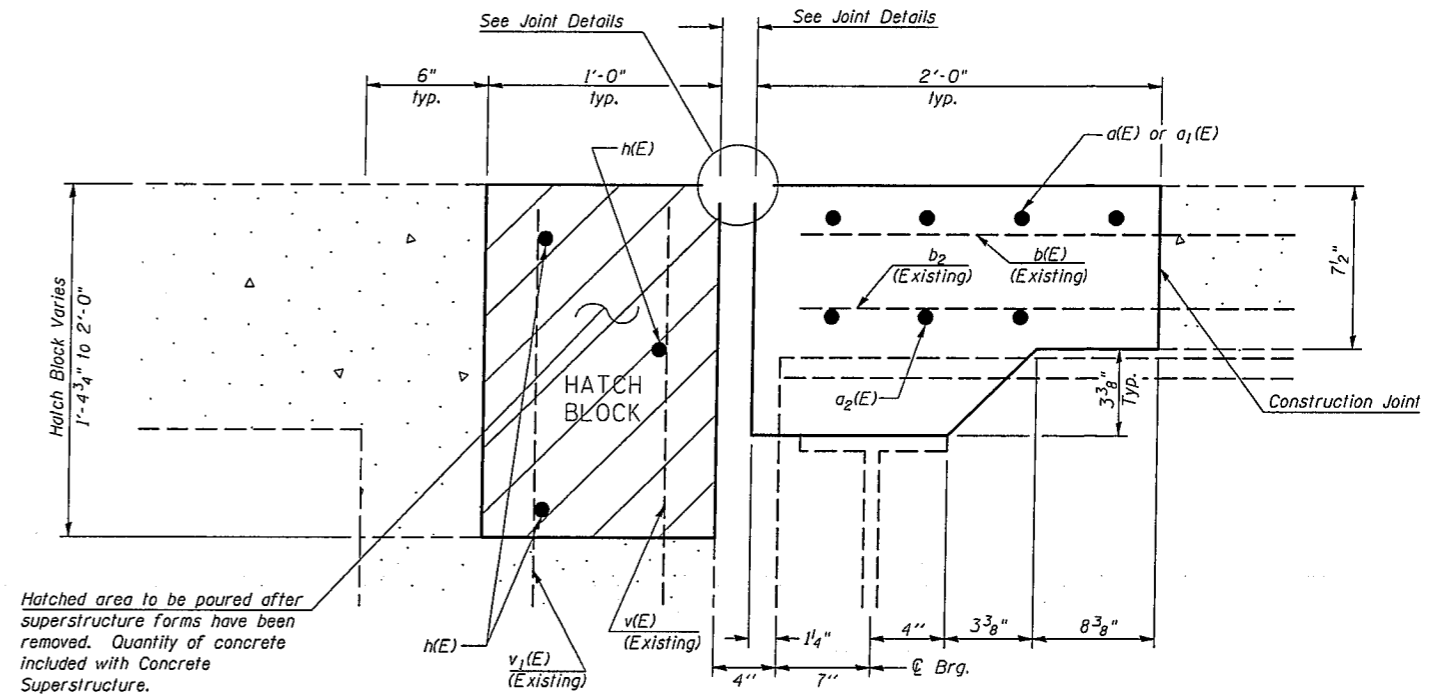


# HATCH BLOCK AND DECK END DETAILS

## S.N. 023-0024

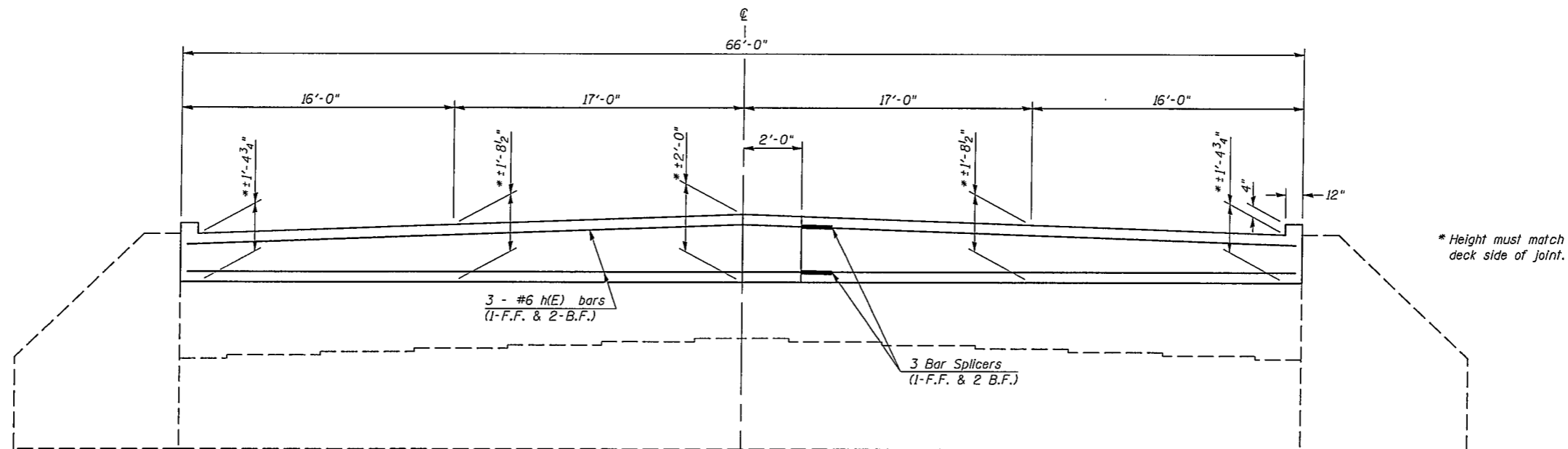


**SECTION AT EXISTING JOINT  
AT SOUTH ABUTMENT**



Hatched area to be poured after superstructure forms have been removed. Quantity of concrete included with Concrete Superstructure.

**SECTION AT PROPOSED JOINT  
AT SOUTH ABUTMENT**



**ELEVATION SHOWING HATCH BLOCK  
SOUTH ABUTMENT**

FILE NAME *	USER NAME * carrollrt	DESIGNED R. Carroll	REVISED -	<b>STATE OF ILLINOIS DEPARTMENT OF TRANSPORTATION</b>	<b>HATCH BLOCK &amp; DECK END DETAILS</b>		F.A.P. RTE.	SECTION	COUNTY	TOTAL SHEETS	SHEET NO.
ci:\pwwork\pavidot\carrollrt\d0212096\Bri	ge Repairs - 023-0024.dgn	DRAWN R. Carroll	REVISED -		<b>S.N. 023-0024</b>		*	101 BDR & CX-BJR	EDGAR	36	17
PLOT SCALE = 40.0000' / 1" IN.	CHECKED T. Brandenburg	DATE 10/1/2010	REVISED -		SCALE: SHEET NO. 5 OF 19 SHEETS STA. TO STA.		CONTRACT NO. 70873				
PLOT DATE = 2/7/2011			REVISED -				ILLINOIS FED. AID PROJECT				

\*332 & 91