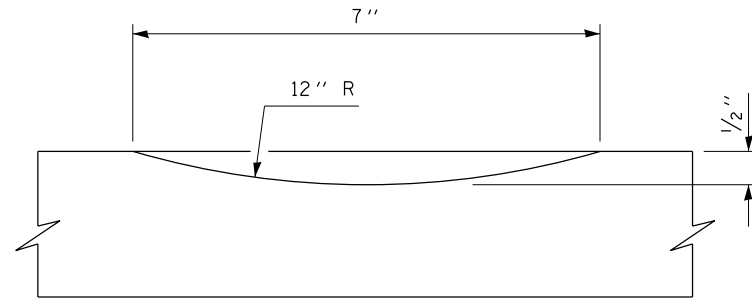
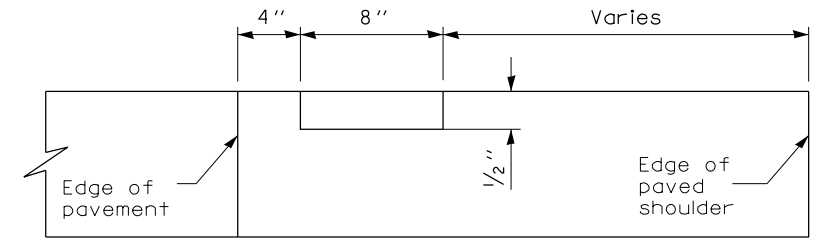


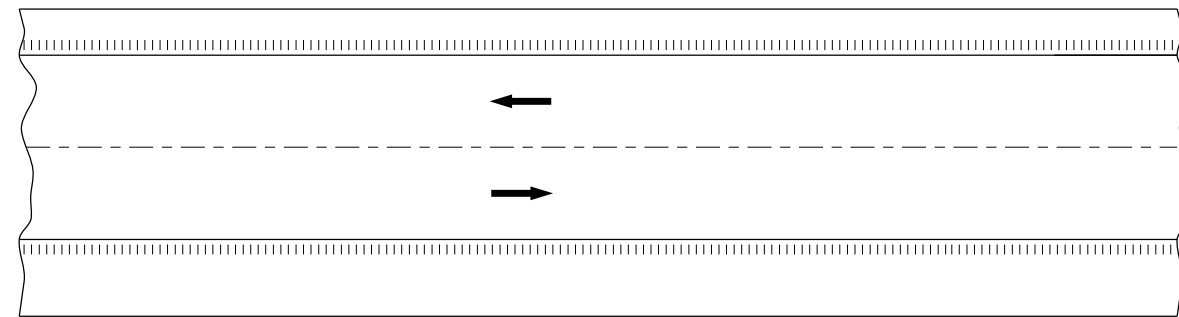
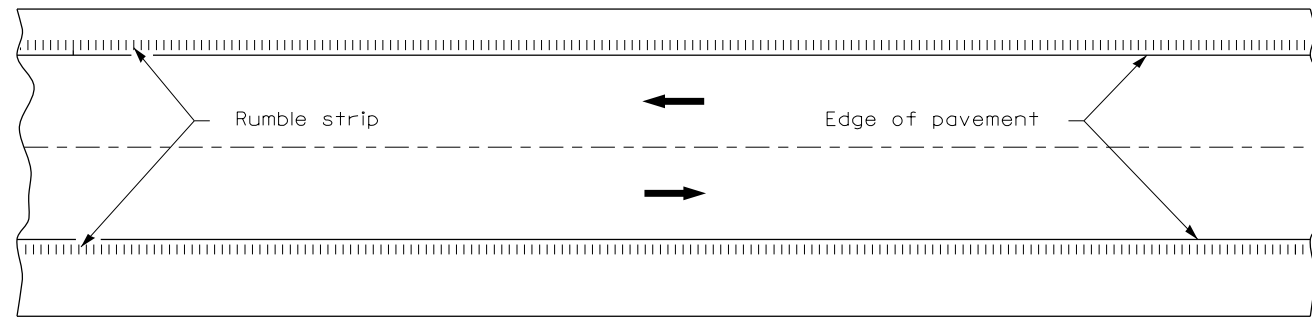
PLAN



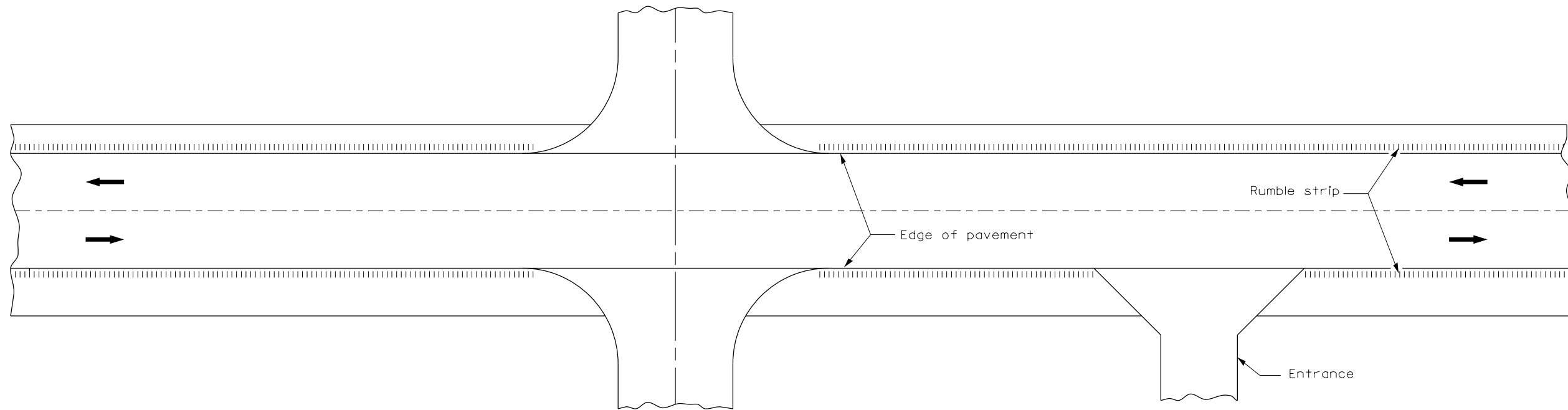
SECTION A-A



SECTION B-B



HALF PLAN
TYPICAL APPLICATION FOR RURAL AREAS



HALF PLAN
TYPICAL APPLICATION AT SIDEROADS AND ENTRANCES

FILE NAME = c:\pwork\work\pwork\laughlin\1\0217938\062C97-SHT-rumble.dgn	USER NAME = laughlinr1	DESIGNED - DRAWN -	REVISED - REVISED -	STATE OF ILLINOIS DEPARTMENT OF TRANSPORTATION	RUMBLE STRIPS DETAIL			F.A.S RTE. 315	SECTION 116RS-4	COUNTY LOGAN	TOTAL SHEETS 27	SHEET NO. 24
RUMBLE.DGN	PLOT SCALE = 40.0000' / in.	CHECKED -	REVISED -		SCALE:	SHEET NO. 1 OF 1 SHEETS	STA.	TO STA.	CONTRACT NO. 72C22			
	PLOT DATE = Dec-16-2010 11:52:03AM	DATE -	REVISED -		FED. ROAD DIST. NO. ILLINOIS FED. AID PROJECT							