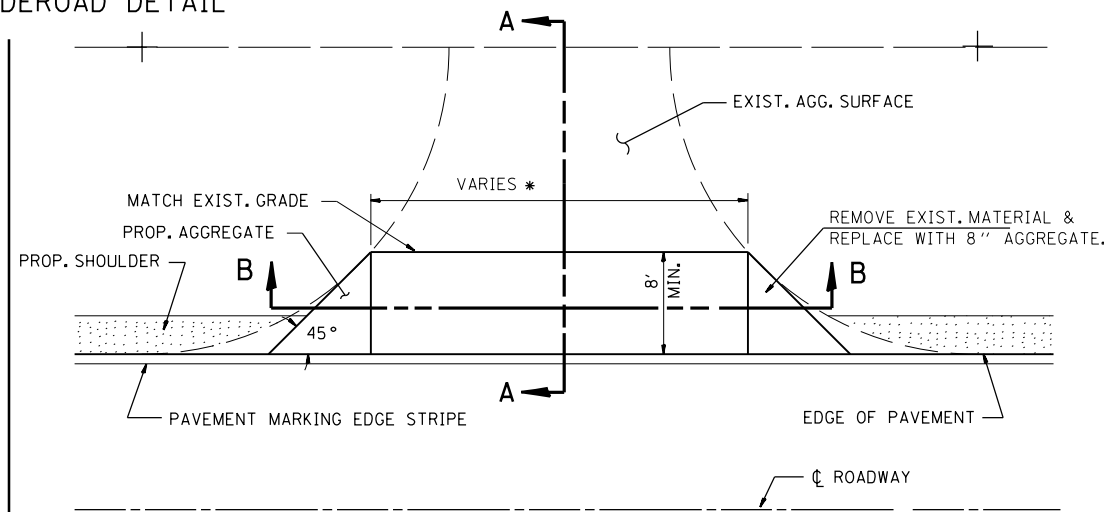
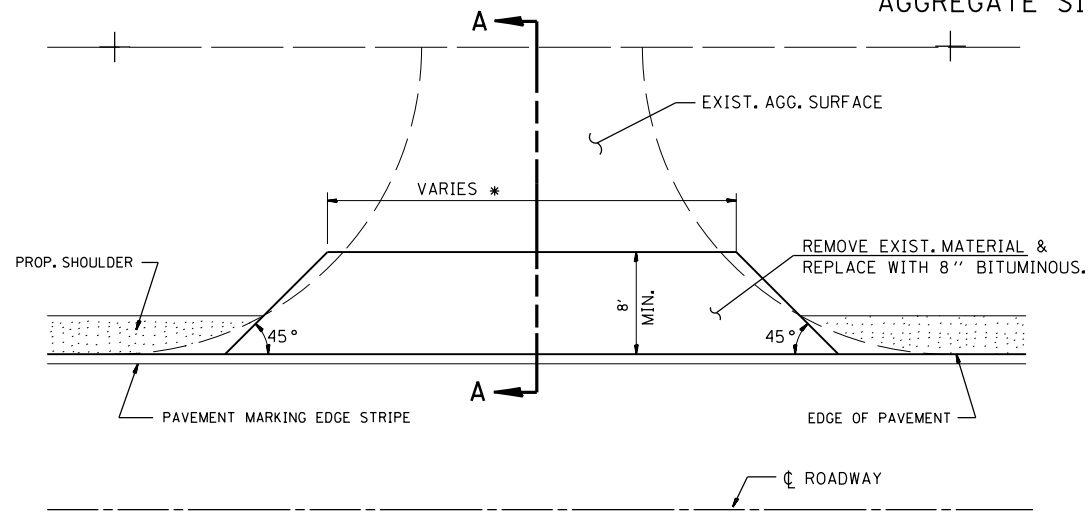
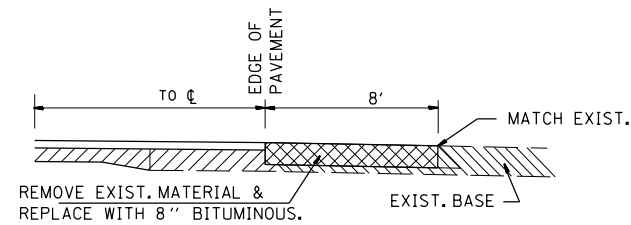


AGGREGATE SIDEROAD DETAIL

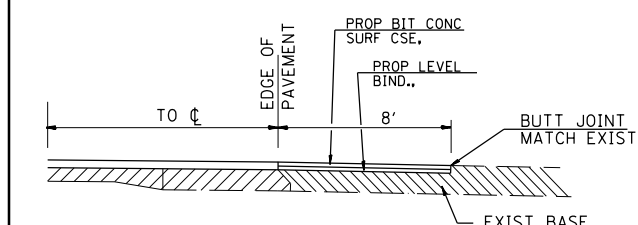


* AS SHOWN IN THE PLANS OR AS DIRECTED BY THE ENGINEER.



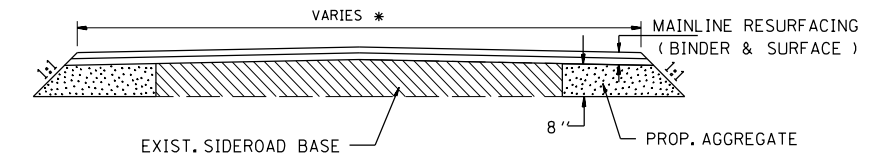
SECTION A-A

TYPE A



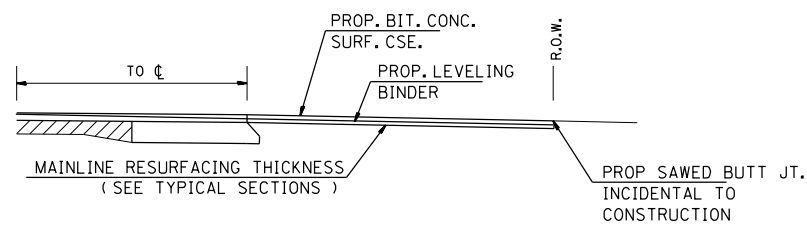
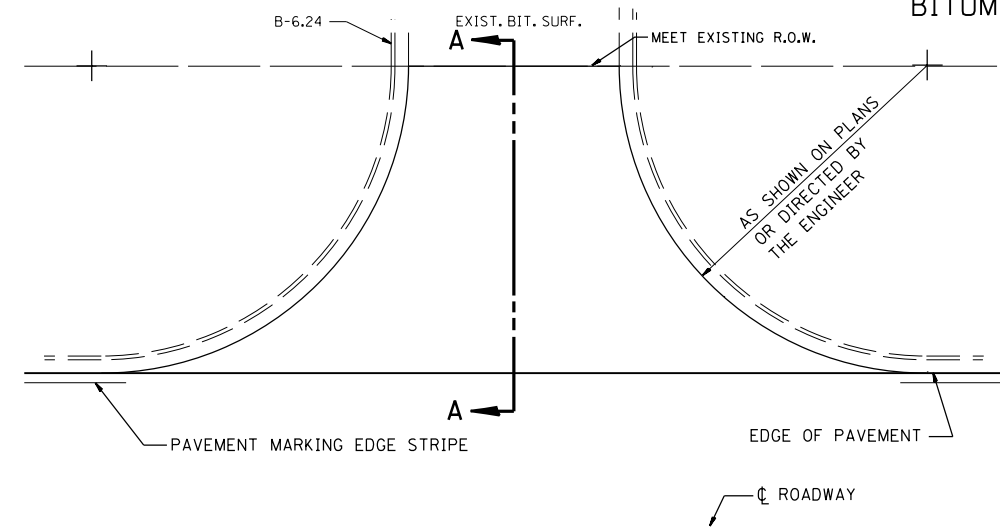
SECTION A-A

TYPE B



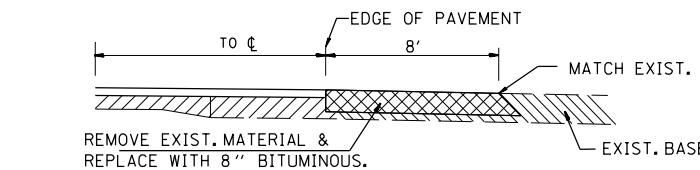
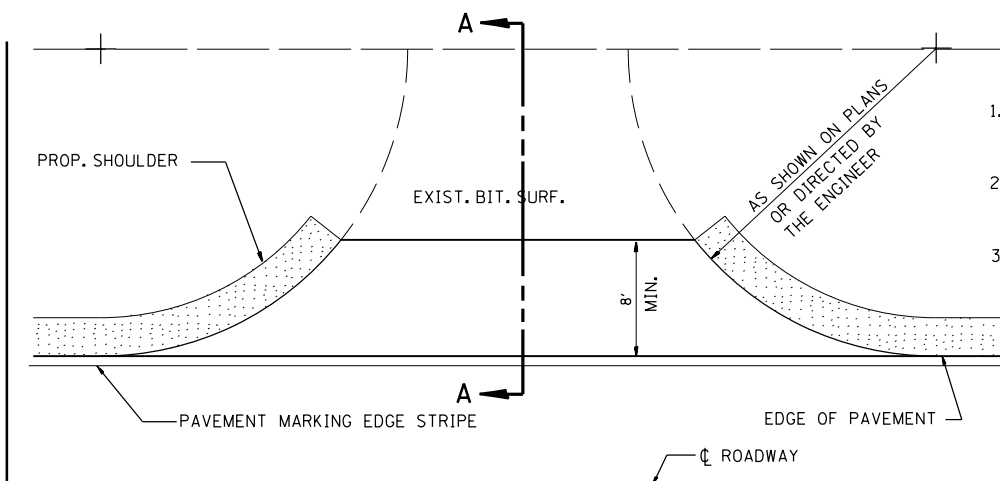
SECTION B-B

BITUMINOUS SIDEROAD DETAIL

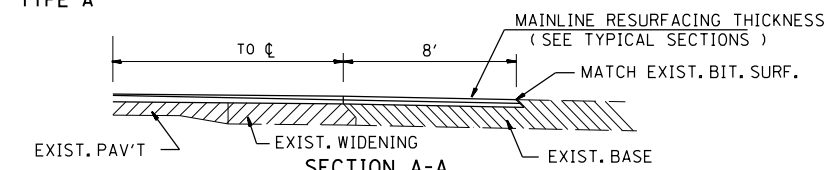


SECTION A-A

URBAN ROAD OR STREET



TYPE A



SECTION A-A

TYPE B

RURAL SIDEROADS

NOTES

1. THE SIDEROAD TREATMENT FOR RURAL BITUMINOUS SIDEROADS SHALL BE CONTINUED TO THE END OF THE RADIUS RETURN IF RADIUS IMPROVEMENT IS SHOWN ON THE PLANS.
2. IF VERTICAL GRADE CHANGE IS OCCURRING, THEN THE SIDEROAD TREATMENT SHALL CONTINUE UNTIL THE PROPOSED CHANGE MEETS THE EXISTING SIDEROAD.
3. THE ROADWAY PLANS AND SCHEDULE WILL LIST THE QUANTITIES AND LOCATIONS FOR ALL SIDEROADS.

FILE NAME =	USER NAME = laughlir1	DESIGNED - DJK	REVISED - CGC 09APR93
et:\pw\work\p\dot\laughlir1\0217938\72\22sider.dgn		DRAWN - CAD	REVISED -
	PLOT SCALE = 40.000' / in.	CHECKED - DJK	REVISED -
	PLOT DATE = Dec-16-2010 11:52:15AM	DATE - 10/21/92	REVISED -

STATE OF ILLINOIS
DEPARTMENT OF TRANSPORTATION

SIDEROAD DETAILS

SCALE: SHEET NO. OF SHEETS STA. TO STA.

F.A.P. RTE.	SECTION	COUNTY	TOTAL SHEETS	SHEET NO.
315	116RS-4	LOGAN	27	27
CONTRACT NO.				
FED. ROAD DIST. NO. ILLINOIS FED. AID PROJECT				

SIDERD.DGN