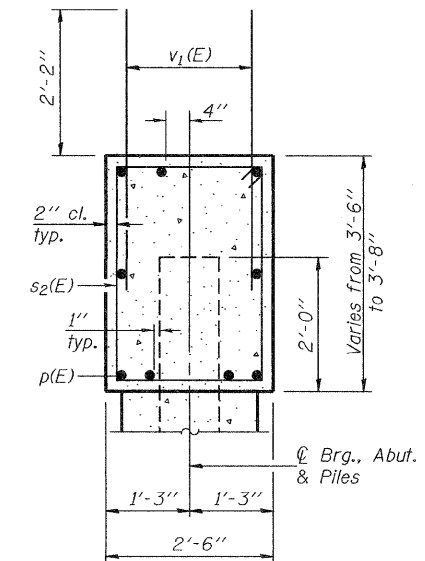
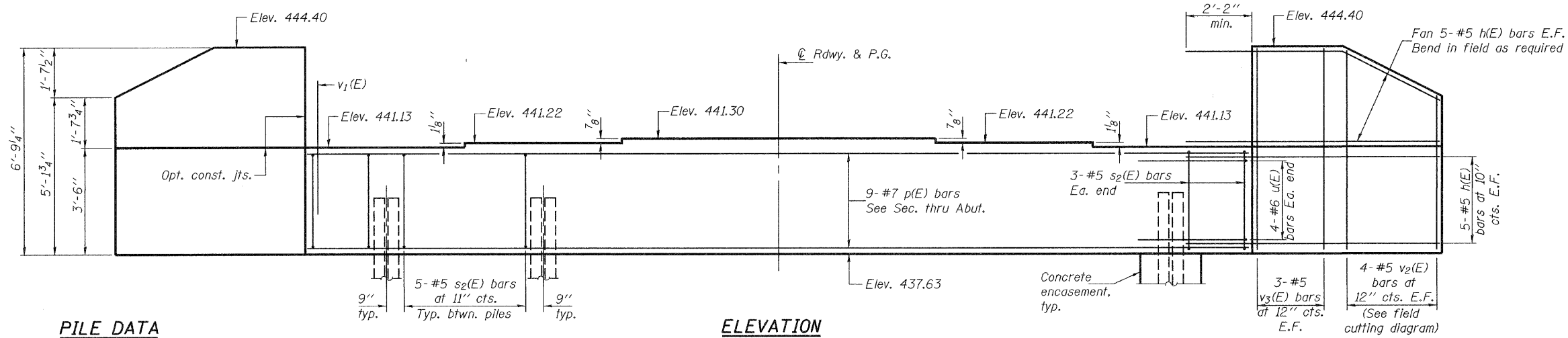
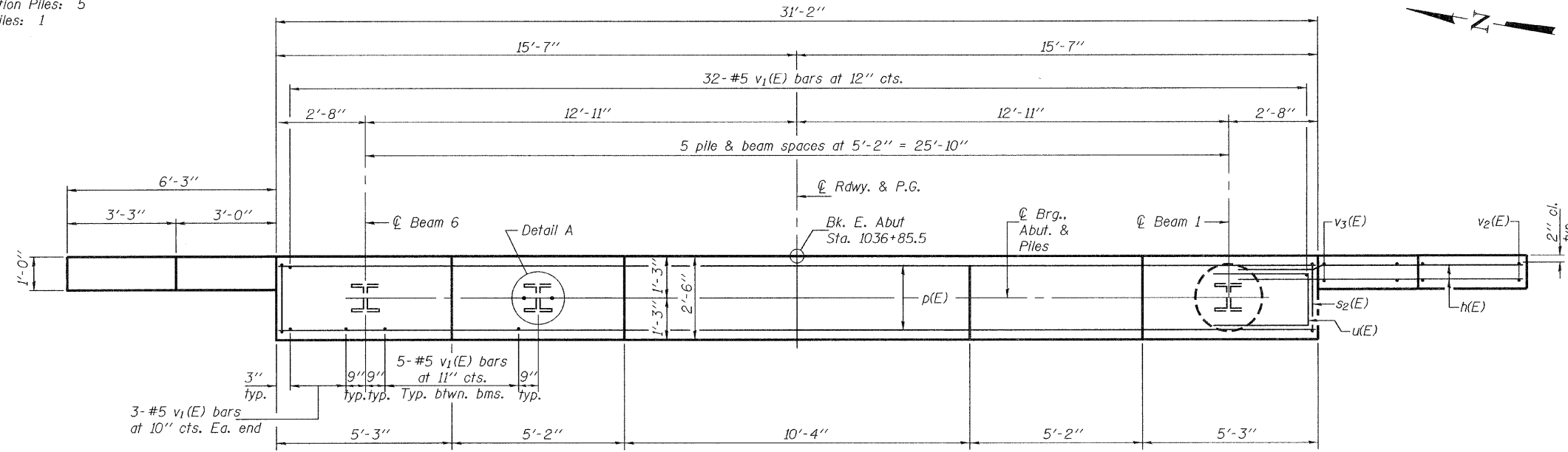


STATE OF ILLINOIS
DEPARTMENT OF TRANSPORTATION



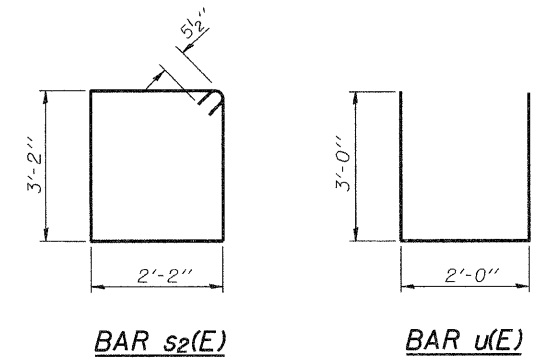
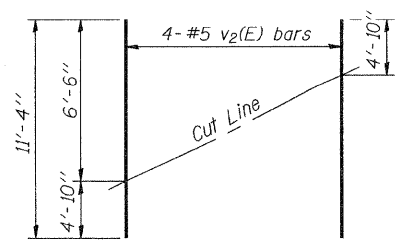
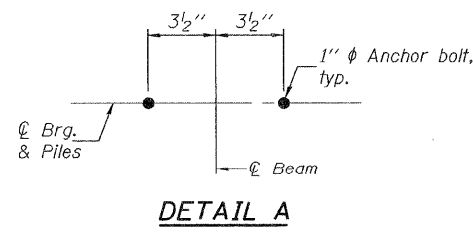
PILE DATA
Type: Steel HP10x42 with pile shoes
Nominal Required Bearing: 280 Kips
Factored Resistance Available: 140 Kips
Est. Length: 81'
No. Production Piles: 5
No. Test Piles: 1



BILL OF MATERIAL

Bar	No.	Size	Length	Shape
h(E)	40	#5	8'-7"	—
p(E)	9	#7	30'-10"	—
s ₂ (E)	31	#5	11'-7"	□
u(E)	8	#6	8'-0"	—
v ₁ (E)	63	#5	4'-4"	—
v ₂ (E)	8	#5	11'-4"	—
v ₃ (E)	12	#5	6'-6"	—
Structure Excavation		Cu. Yd.	58	
Concrete Structures		Cu. Yd.	13.3	
Reinforcement Bars, Epoxy Coated		Pound	1860	
Furnishing Steel Piles, HP 10x42		Foot	405	
Driving Piles		Foot	405	
Test Pile, HP 10x42		Each	1	
Pile Shoes		Each	6	
Concrete Encasement		Cu. Yd.	2.1	
Anchor Bolts, 1" φ		Each	12	

Notes: Four steps monolithically with cap.
For details of piles and concrete encasement, see sheet 18 of 22.
For details of bar splicers, see sheet 19 of 22.



DESIGNED Phillip R. Litchfield
CHECKED Roy Ahanchi
DRAWN Gregory D. Farmer
CHECKED PRL/GRA/JDE

Sep. 9, 2010
EXAMINED Thomas J. Damagalki
PASSED Ralph E. Anderson

**EAST ABUTMENT
STRUCTURE NO. 013-0040**

SHEET NO.	S.B.I. RTE.	SECTION	COUNTY	TOTAL SHEETS	SHEET NO.
13	12	10B-1	CLAY	39	25
22 SHEETS					
CONTRACT NO. 74004					
FED. ROAD DIST. NO. ILLINOIS FED. AID PROJECT					