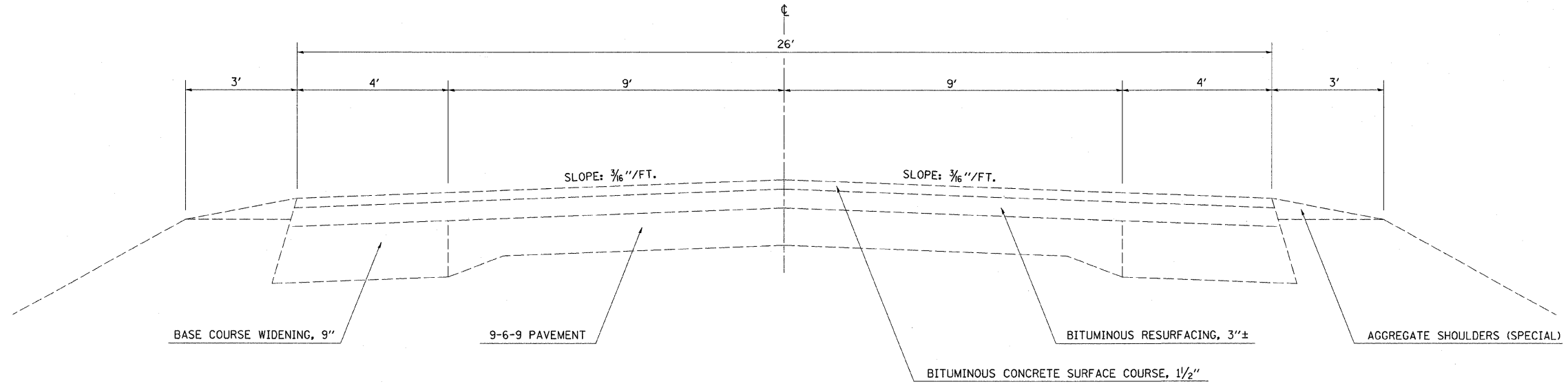


EXISTING TYPICAL CROSS SECTION

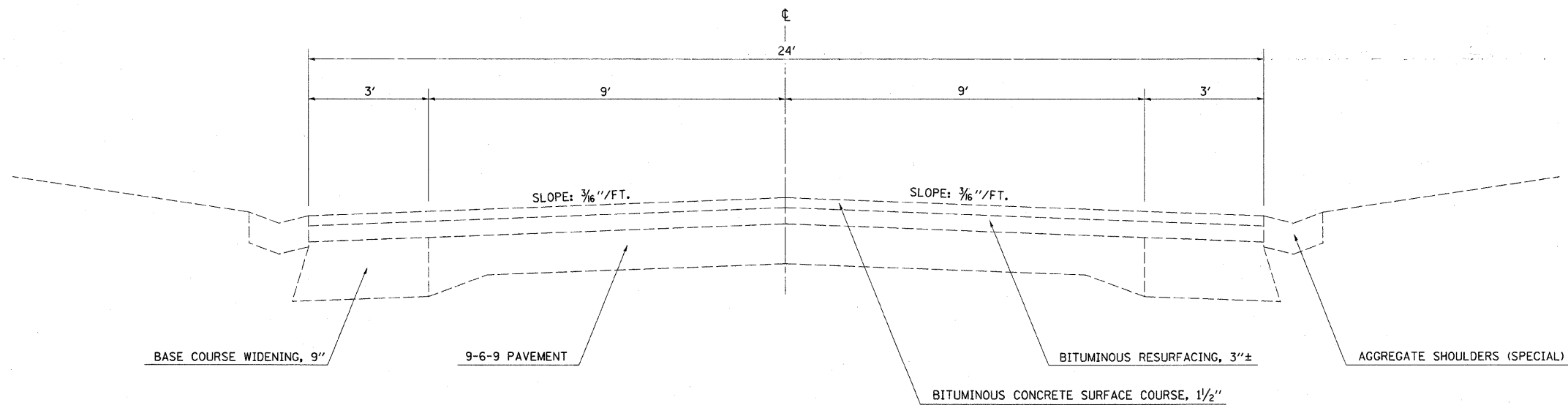
STA. 22+40.19 TO STA. 75+36.00
 STA. 94+60.00 TO STA. 109+69.00
 STA. 116+63.00 TO STA. 223+80.00
 STA. 290+97.00 TO STA. 301+00.00
 STA. 314+03.00 TO STA. 358+94.00
 STA. 369+55.00 TO STA. 375+40.00



NOTE: NOT DRAWN TO A SPECIFIC SCALE

EXISTING TYPICAL CROSS SECTION

STA. 75+36.00 TO STA. 94+60.00
 STA. 109+69.00 TO STA. 116+53.00
 STA. 283+52.00 TO STA. 290+97.00
 STA. 301+00.00 TO STA. 314+03.00
 STA. 358+94.00 TO STA. 369+55.00



NOTE: NOT DRAWN TO A SPECIFIC SCALE

| | | | | | | | | | | | | | |
|--|------------------------------|------------|-----------|---|---------------------------------------|-------------------------|------|----------------|---------|----------|-----------------|--------------|---|
| FILE NAME = | USER NAME = swartzw | DESIGNED - | REVISED - | STATE OF ILLINOIS DEPARTMENT OF TRANSPORTATION | EXISTING TYPICAL CROSS SECTION | | | F.A.P. RTE. | SECTION | COUNTY | TOTAL SHEETS | SHEET NO. | |
| cd:\pw_work\pwidot\swartzw\d0177935\d774 | 448-sht-typical.dgn | DRAWN - | REVISED - | | SCALE: NA | SHEET NO. 1 OF 6 SHEETS | STA. | TO STA. | 328 | 104 RS-4 | WAYNE | 77 | 6 |
| | PLOT SCALE = 20,0000 ' / IN. | CHECKED - | REVISED - | | | | | | | | | | |
| | PLOT DATE = 12/27/2010 | DATE - | REVISED - | | | | | | | | | | |
| ILLINOIS FED. AID PROJECT | | | | | | | | | | | | | |