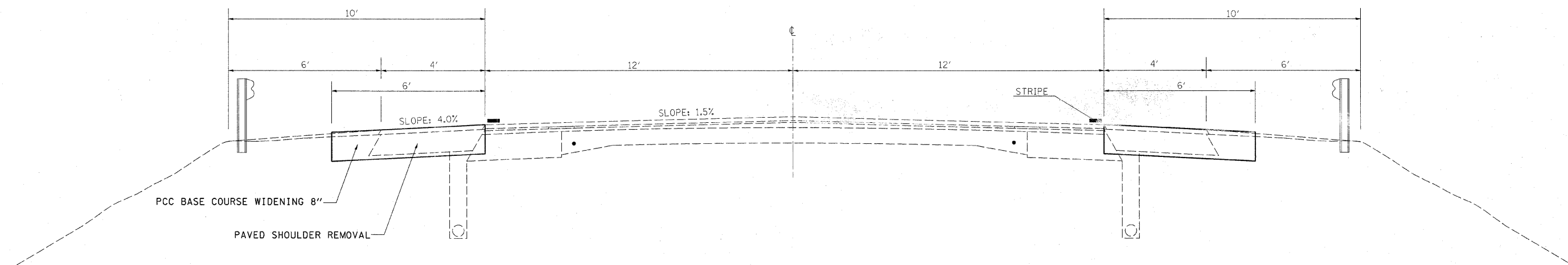


EXISTING TYPICAL



PROPOSED TYPICAL

STA 657+43 TO STA 658+96
 STA 665+46 TO STA 666+99

FILE NAME =	USER NAME = teasleyck	DESIGNED -	REVISED -	STATE OF ILLINOIS DEPARTMENT OF TRANSPORTATION	TYPICAL SECTIONS			F.A.P. RTE.	SECTION	COUNTY	TOTAL SHEETS	SHEET NO.
c:\pwork\pwork\teasleyck\202775\1074483-sht-typical.dgn	PLOT SCALE = 50.0000' / IN.	DRAWN -	REVISED -					774	(102BR)BR-2	Shelby	19	4
PLOT DATE = 12/16/2010	DATE -	CHECKED -	REVISED -		SCALE: SHEET NO. OF SHEETS STA. TO STA.			CONTRACT NO. 74483				
								ILLINOIS FED. AID PROJECT				