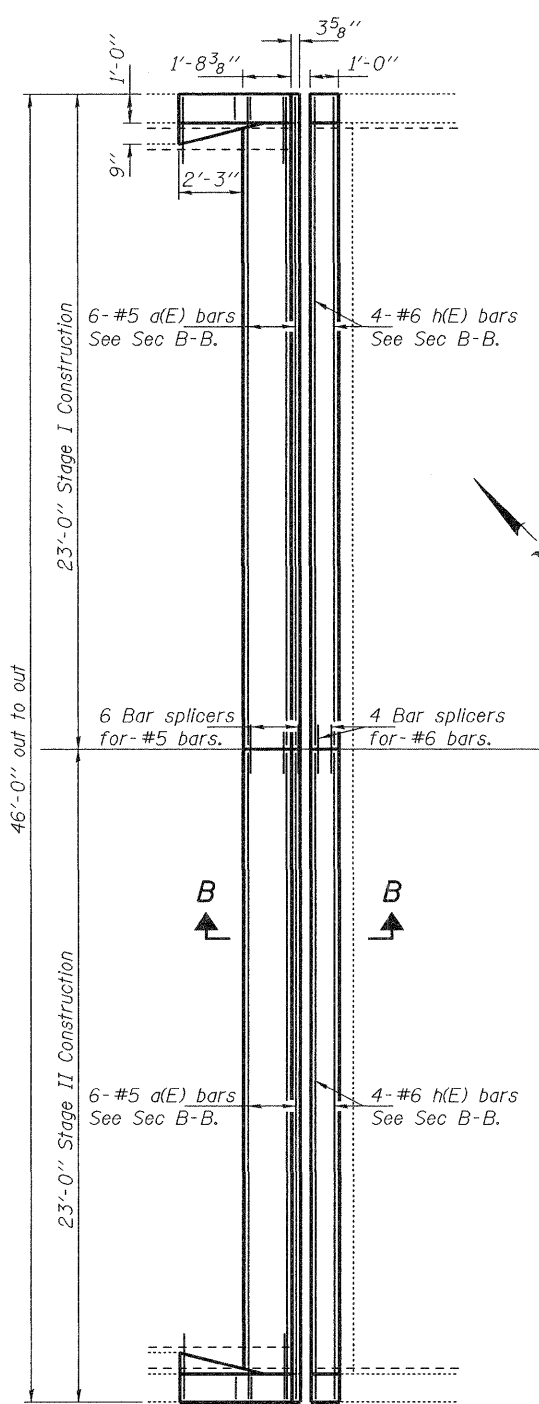
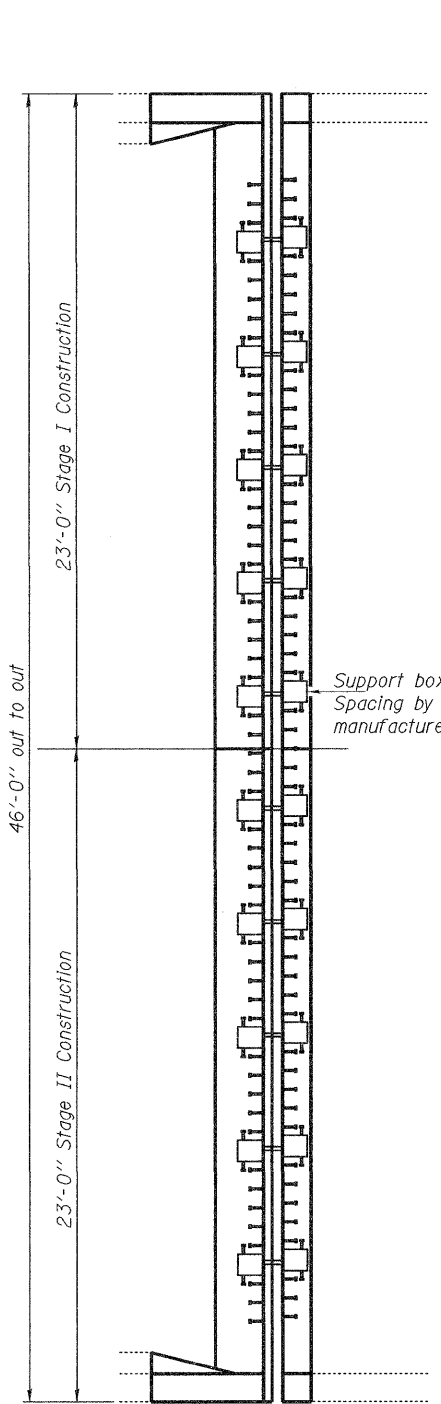


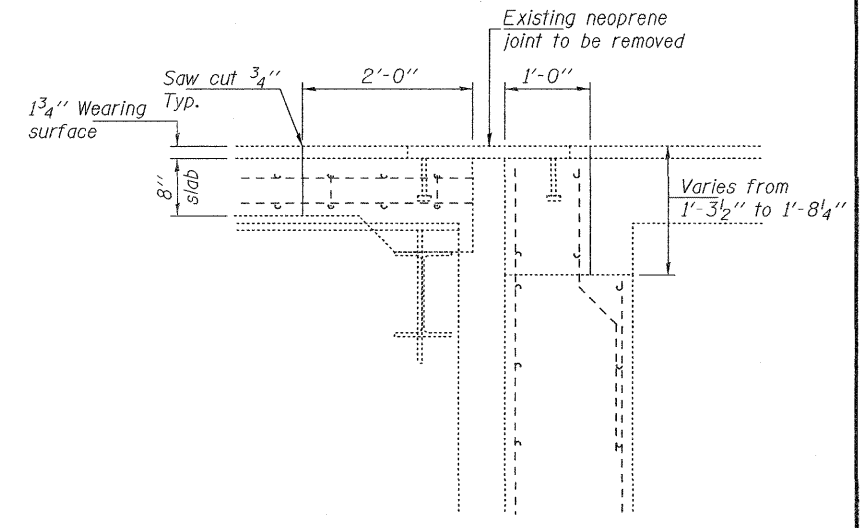
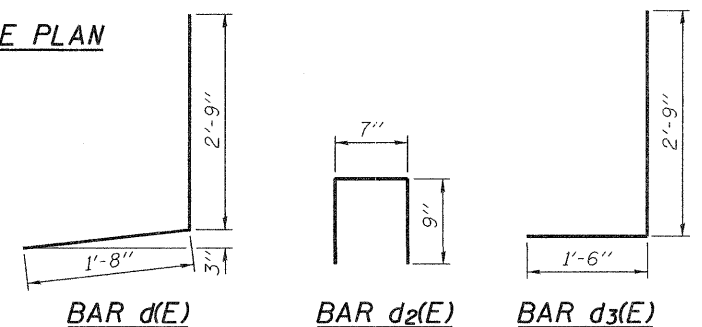
REMOVAL PLAN



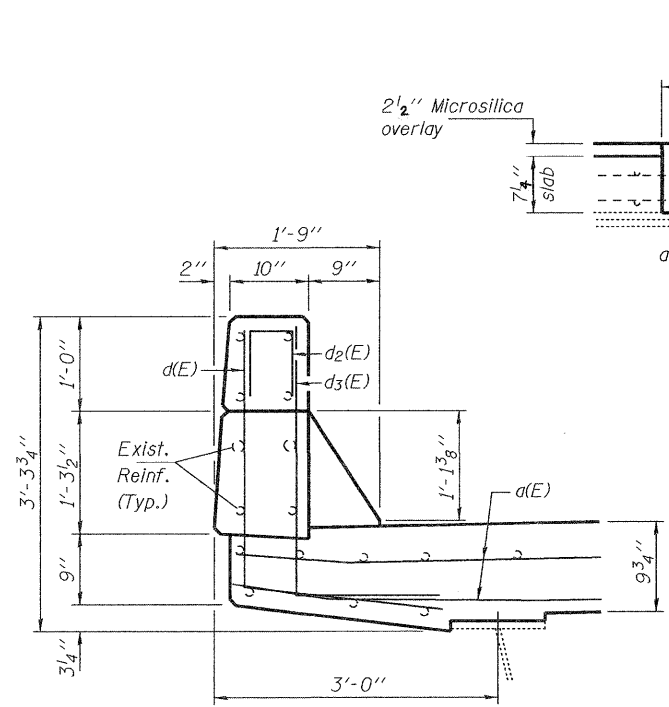
CONCRETE PLAN



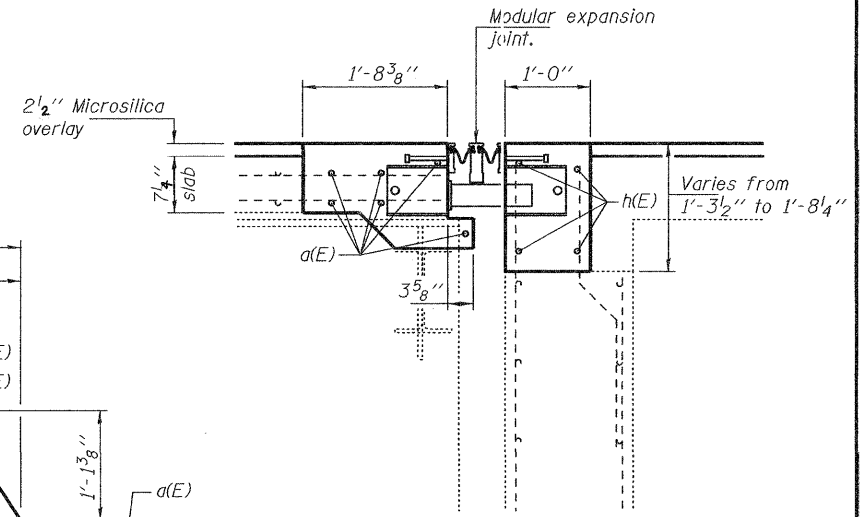
MODULAR JOINT PLAN
Reinforcement not shown for clarity



SECTION A-A



SECTION AT PARAPET



SECTION B-B

BILL OF MATERIAL

Bar	No.	Size	Length	Shape
d(E)	12	#5	22'-8"	—
d(E)	10	#4	4'-5"	J
d2(E)	4	#4	2'-1"	□
d3(E)	10	#5	4'-3"	J
h(E)	8	#6	22'-8"	—
Bar Splicers		Each	10	
Concrete Removal		Cu. Yd.	6.6	
Concrete Superstructure		Cu. Yd.	6.6	
Reinforcement Bars, Epoxy Coated		Pound	640	
Modular Expansion Joint, 6"		Foot	44	

Note:
Hatched areas indicate concrete removal. Perimeters of concrete removal areas shall be saw cut 3/4" prior to the removal of concrete.
Existing reinforcement bars extending into the removal area shall be cleaned, straightened and incorporated into the new construction. Any reinforcement bars that are damaged during concrete removal shall be replaced with an approved bar splicer or anchorage system. Cost included with Concrete Removal.
In reference to Article 520.04 of the Standard Specifications, the expansion length handled by the S. abutment is 391 feet.