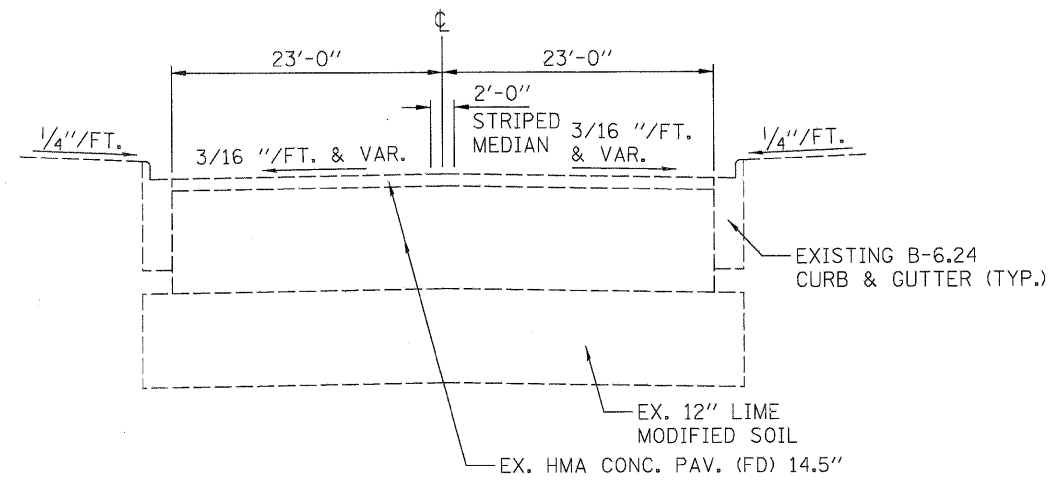
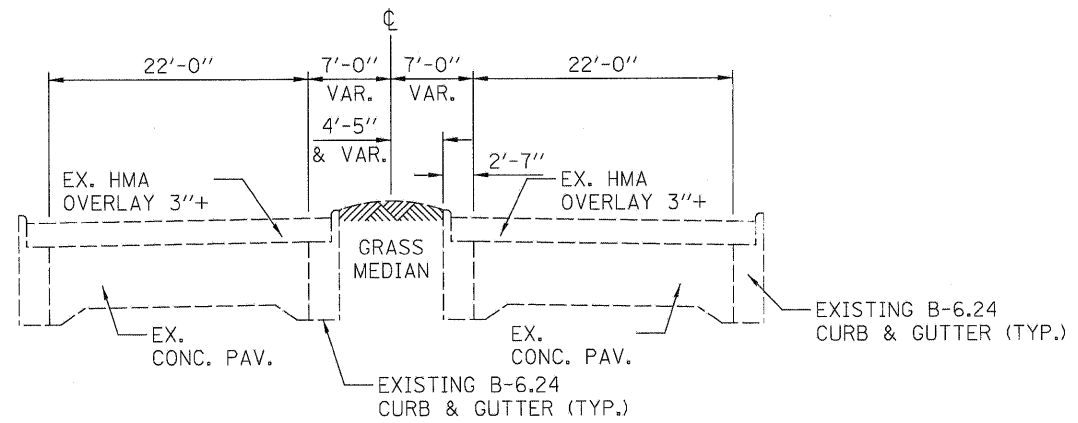


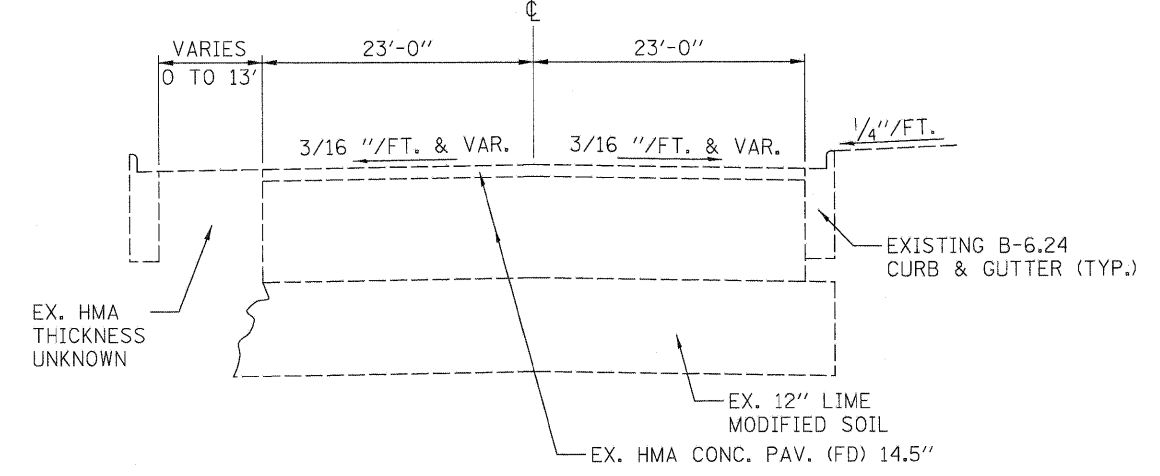
**EXISTING TYPICAL SECTION**  
STA. 980+00 TO STA. 1000+00



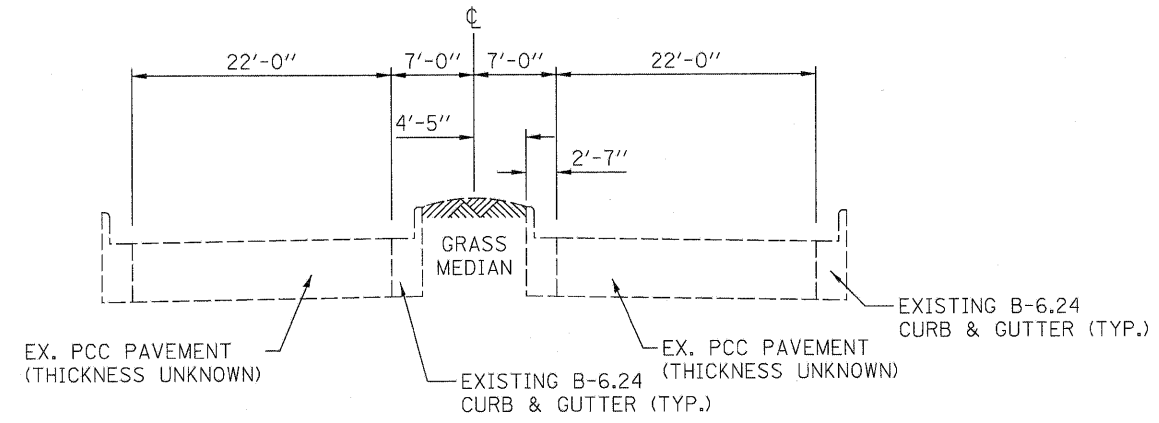
**EXISTING TYPICAL SECTION**  
STA. 1014+00 TO STA. 1033+00



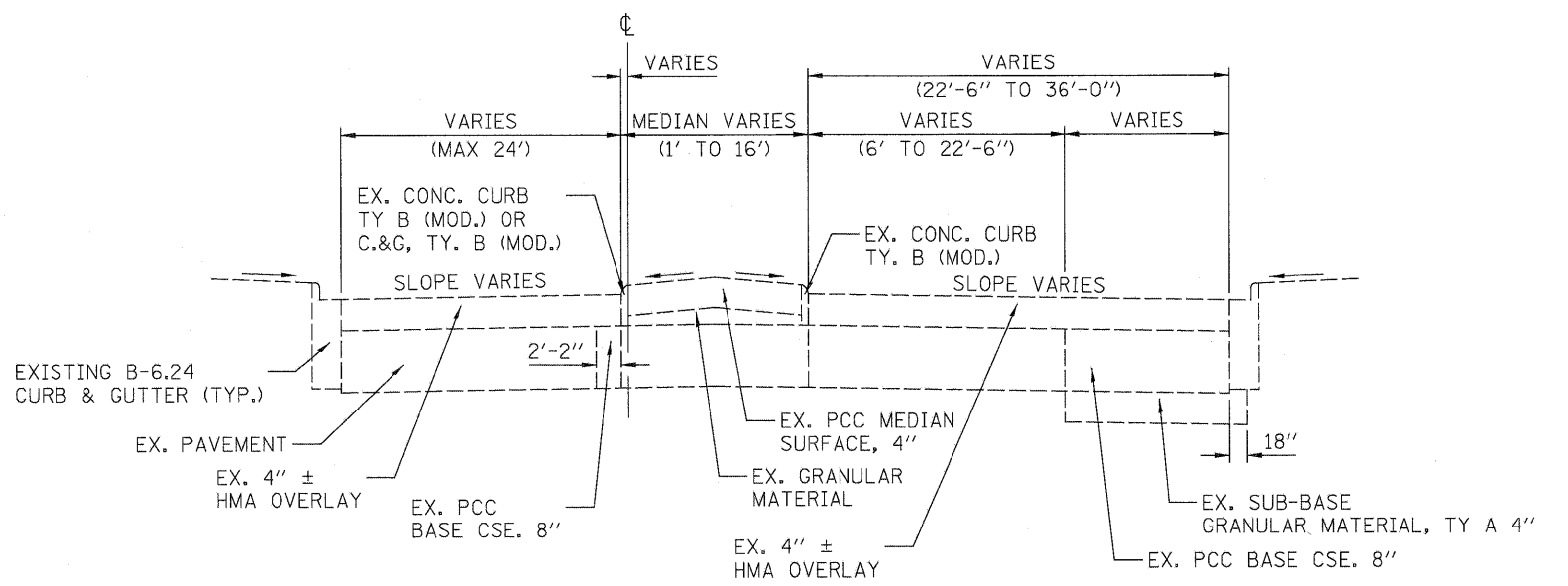
**EXISTING TYPICAL SECTION**  
STA. 1000+00 TO STA. 1007+10 (W.B.)  
STA. 1000+00 TO STA. 1007+40 (E.B.)  
STA. 1010+25 TO STA. 1014+00 (W.B.)  
STA. 1009+50 TO STA. 1014+00 (E.B.)



**EXISTING TYPICAL SECTION**  
STA. 1033+00 TO STA. 1041+85



**EXISTING TYPICAL SECTION**  
STA. 1007+10 TO STA. 1010+25 (W.B.)  
STA. 1007+40 TO STA. 1009+50 (E.B.)



**EXISTING TYPICAL SECTION**  
STA. 1041+85 TO STA. 1050+39

FILE NAME = ...\\cedd\0878096-ah-typ10a1.dgn 	USER NAME = SJS	DESIGNED -	REVISED -	<b>STATE OF ILLINOIS</b> <b>DEPARTMENT OF TRANSPORTATION</b>	<b>EXISTING TYPICAL SECTIONS</b> STA. 975+45.58 TO STA. 990+00.00			F.A.U. RTE. 9166	SECTION 34-IRS-3	COUNTY ST. CLAIR	TOTAL SHEETS 87	SHEET NO. 5
	PLOT SCALE = 8.0000' / IN.	DRAWN -	REVISED -					CONTRACT NO. 76D96				
	PLOT DATE = 12/16/2010 09:35:11	CHECKED -	REVISED -					ILLINOIS FED. AID PROJECT				
	DATE -	REVISED -										