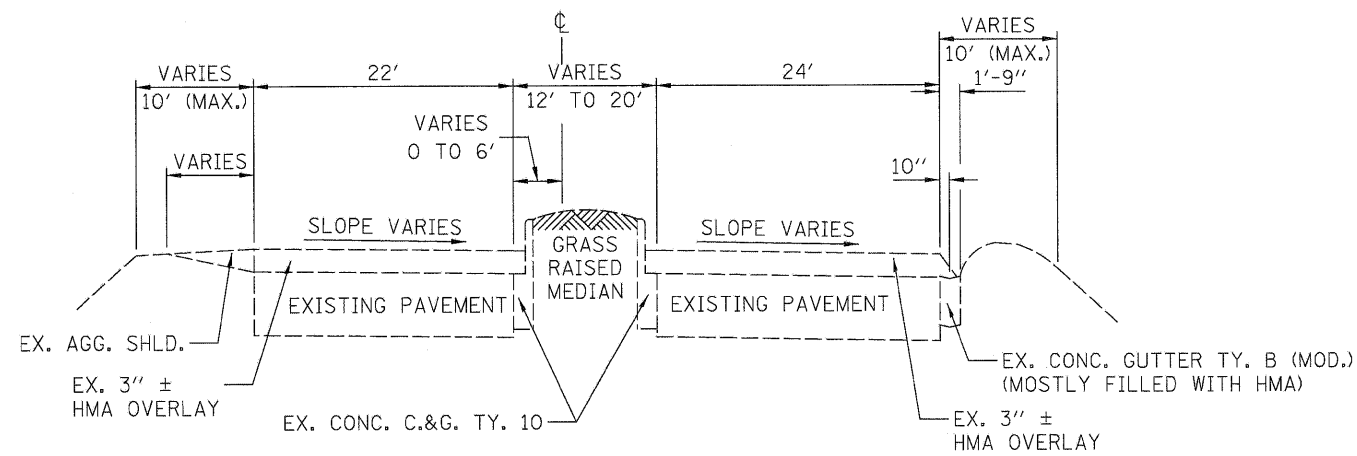
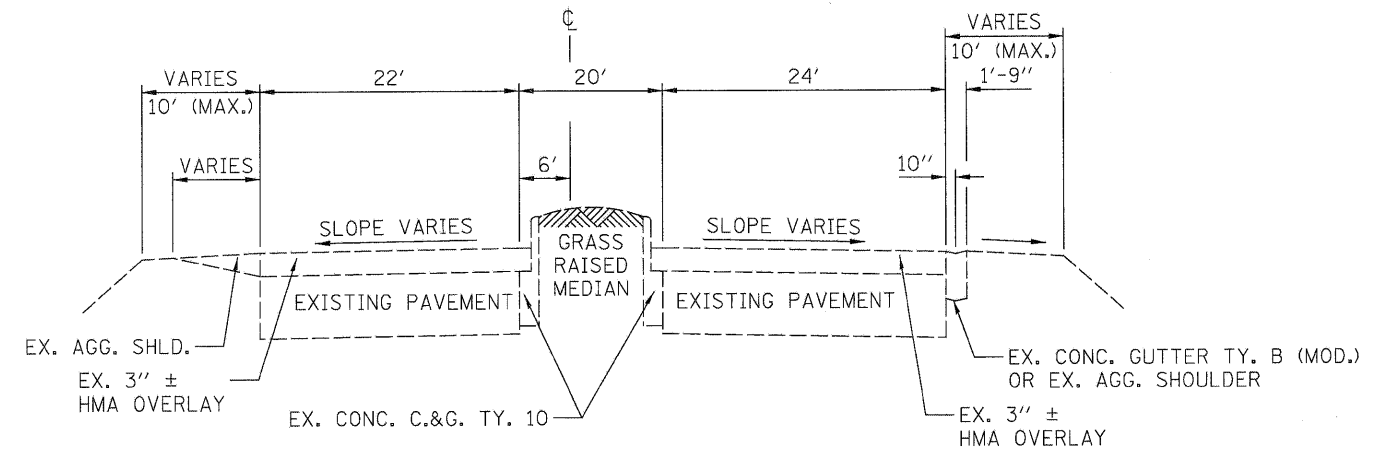


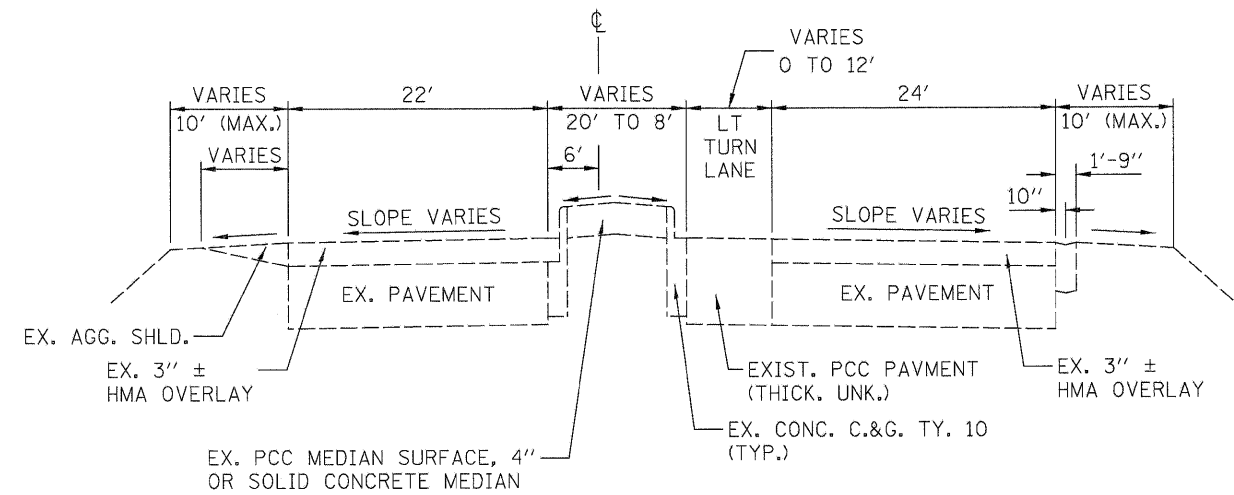
EXISTING TYPICAL SECTION
STA. 1050+39 TO STA. 1058+00



EXISTING TYPICAL SECTION
STA. 1058+00 TO STA. 1068+00



EXISTING TYPICAL SECTION
STA. 1068+00 TO STA. 1076+70



EXISTING TYPICAL SECTION
STA. 1076+70 TO STA. 1081+00

FILE NAME = ...cedd\0878098-ah-typ10a1.dgn	USER NAME = SJS	DESIGNED -	REVISED -	STATE OF ILLINOIS DEPARTMENT OF TRANSPORTATION	EXISTING TYPICAL SECTIONS			F.A.U. RTE. 9166	SECTION 34-IRS-3	COUNTY ST. CLAIR	TOTAL SHEETS 87	SHEET NO. 6
Johnson, Depp & Quisenberry CONSULTING ENGINEERS Springfield, Illinois	PLOT SCALE = 8.0000' / IN.	DRAWN -	REVISED -		SCALE:	SHEET NO.	OF	SHEETS	STA. 975+45.58 TO STA. 990+00.00	ILLINOIS FED. AID PROJECT CONTRACT NO. 76D96		
	PLOT DATE = 12/15/2010 09:35:11	CHECKED -	REVISED -									
		DATE -	REVISED -									