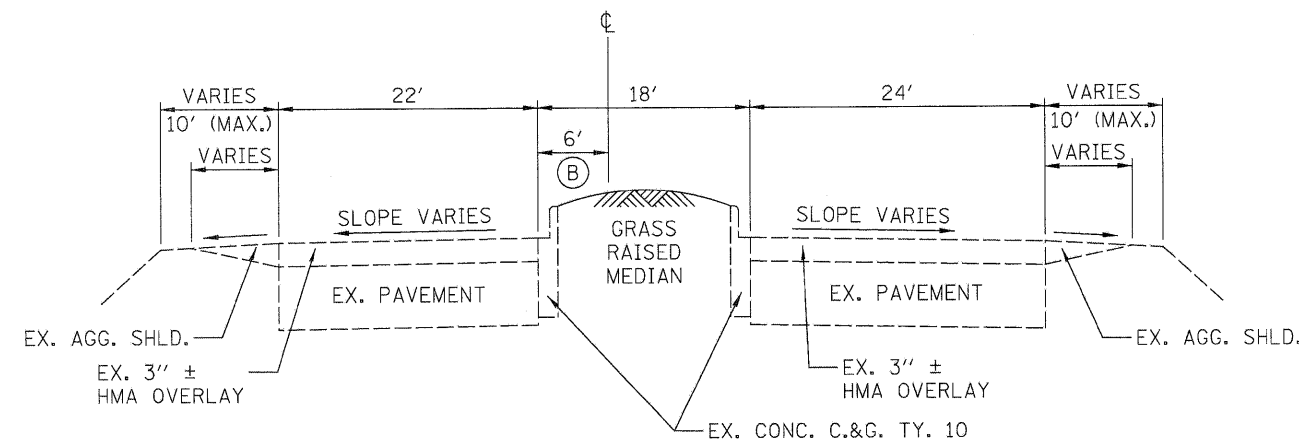


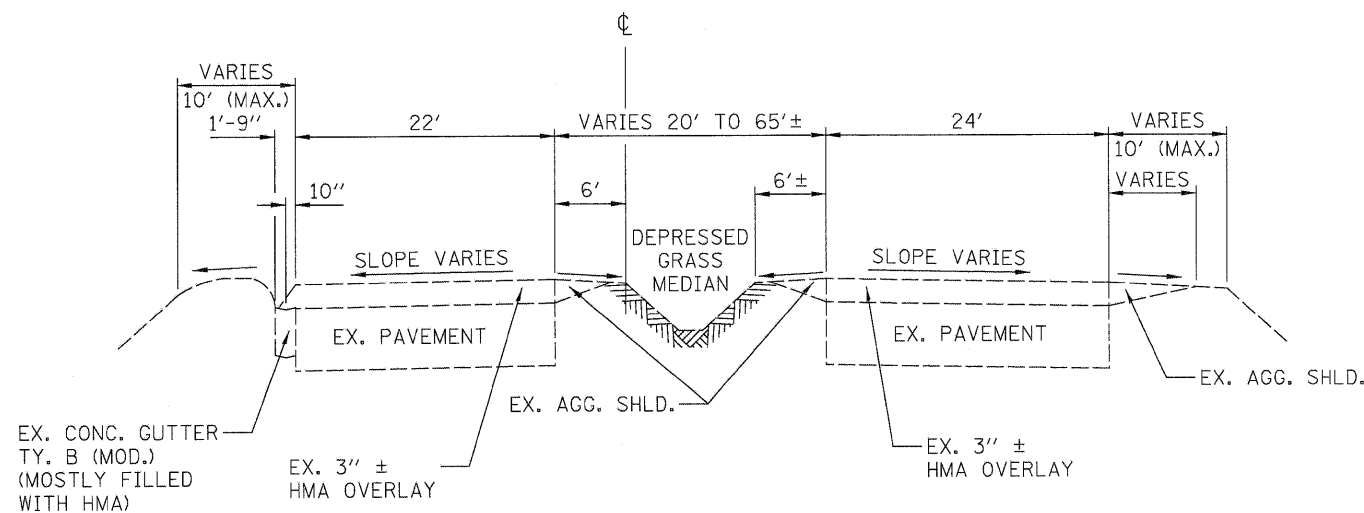
EXISTING TYPICAL SECTION

STA. 1081+00 TO STA. 1084+00



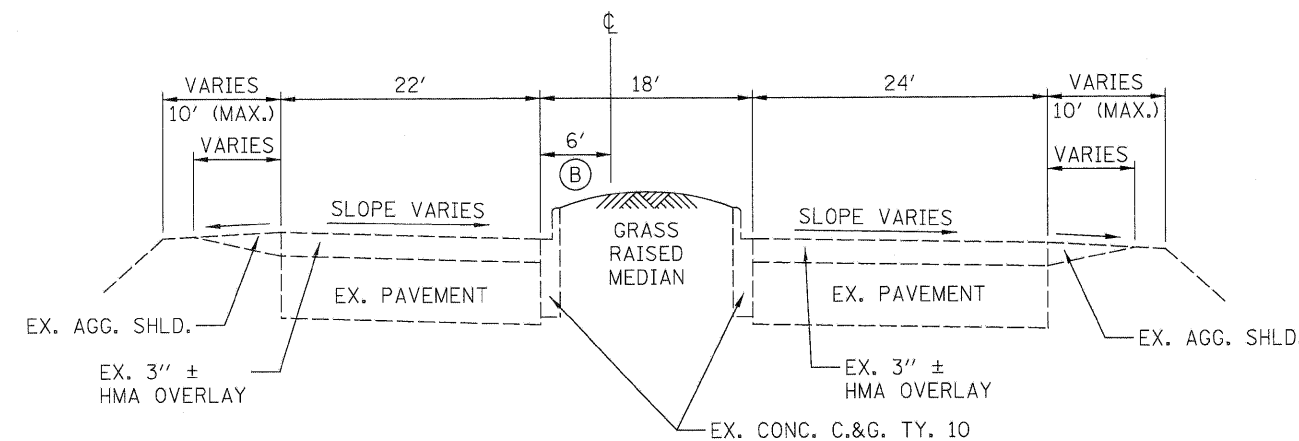
EXISTING TYPICAL SECTION

STA. 1122+70 TO STA. 1138+15
STA. 1159+00 TO STA. 1171+35 (B) VARIES 6' TO 10'±



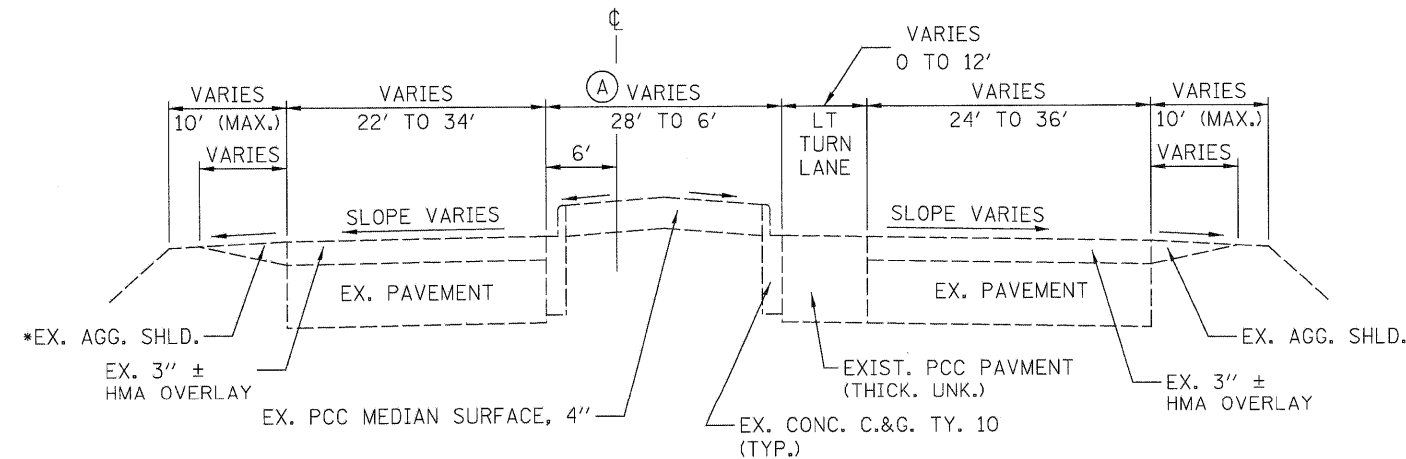
EXISTING TYPICAL SECTION

STA. 1084+00 TO STA. 1109+58



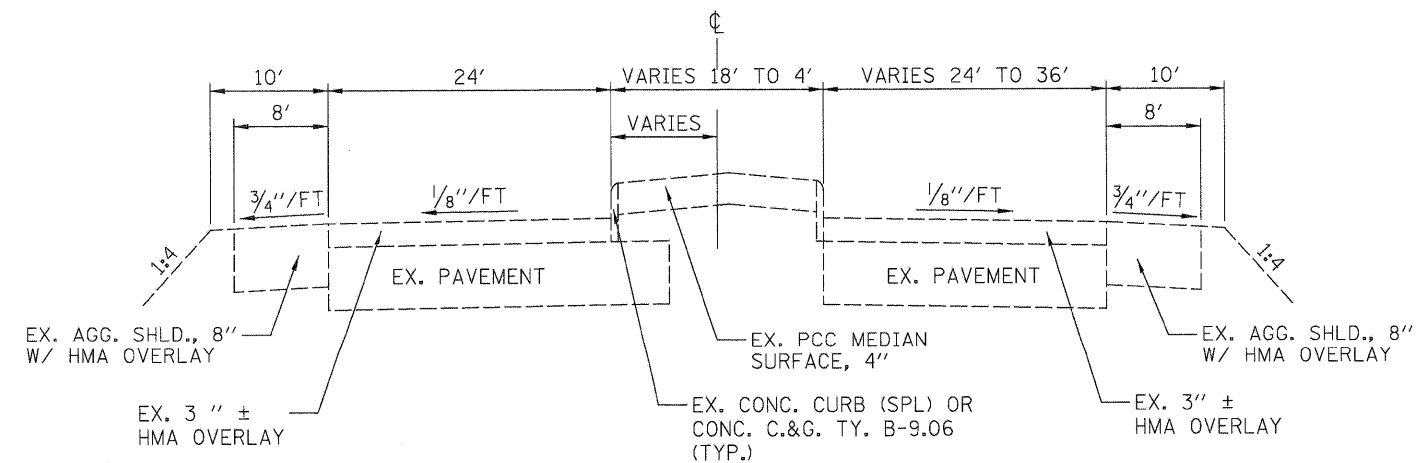
EXISTING TYPICAL SECTION

STA. 1151+25 TO STA. 1159+00 (B) VARIES 6' TO 10'±



EXISTING TYPICAL SECTION

STA. 1109+58 TO STA. 1122+70
STA. 1138+15 TO STA. 1151+25 (A) 18' MEDIAN



EXISTING TYPICAL SECTION

STA. 1171+35 TO STA. 1173+62

FILE NAME =	USER NAME = SJS	DESIGNED -	REVISED -	STATE OF ILLINOIS DEPARTMENT OF TRANSPORTATION	EXISTING TYPICAL SECTIONS			F.A.U. RTE.	SECTION	COUNTY	TOTAL SHEETS	SHEET NO.
...cedd\0876D96-sh-t-typ10a1.dgn		DRAWN -	REVISED -					9166	34-IRS-3	ST. CLAIR	87	7
PLOT SCALE = 8.0000' / IN.		CHECKED -	REVISED -					CONTRACT NO. 76D96				
PLOT DATE = 12/15/2010 09:35:11		DATE -	REVISED -					ILLINOIS FED. AID PROJECT				
								SCALE:	SHEET NO.	OF	SHEETS	STA. 975+45.58 TO STA. 990+00.00