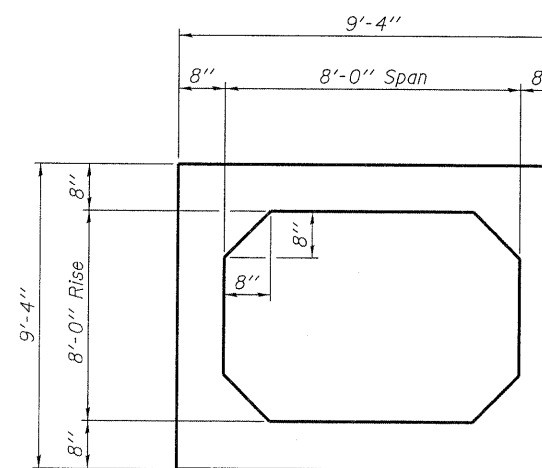
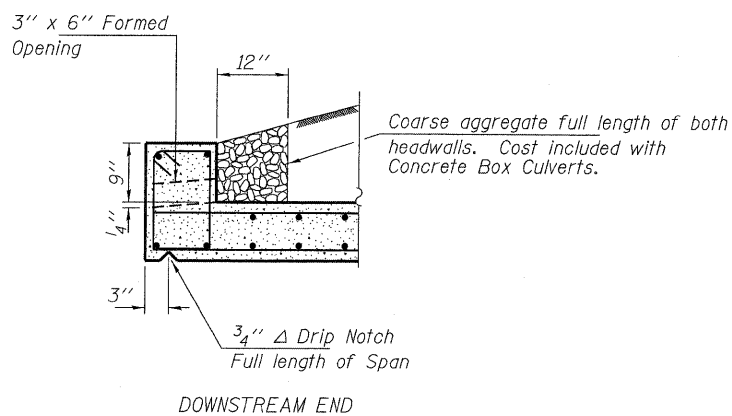
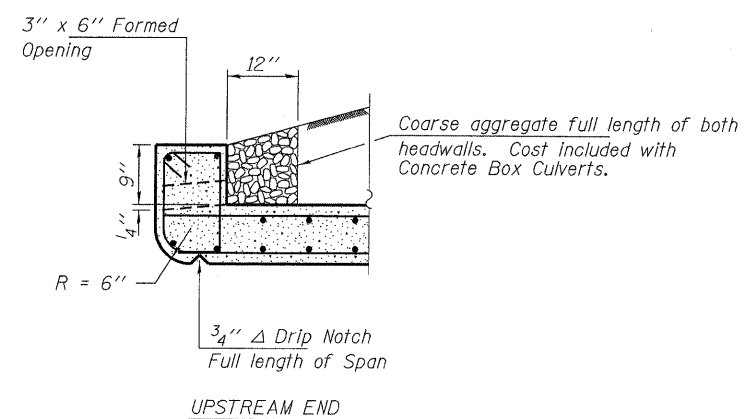


**GENERAL NOTES**

Reinforcement bars shall conform to the requirements of ASTM A 706 Gr 60. See Special Provisions.  
 Reinforcement bars designated (E) shall be epoxy coated.  
 Layout of slope protection system may be varied to suit ground conditions in the field as directed by the Engineer.  
 Riprap details are located on the Roadway Plans.

**TOTAL BILL OF MATERIAL**

Bar	No.	Size	Length	Shape
a	32	#7	20'-9"	U
a1	32	#7	19'-1"	—
a2	12	#4	19'-11"	—
a3	50	#7	20'-6"	U
a4	50	#7	18'-10"	—
d	66	#4	4'-6"	L
h	40	#6	18'-4"	—
h1	16	#6	12'-7"	—
h2	16	#6	9'-7"	—
h3	32	#6	6'-2"	—
h4	5	#9	16'-2"	—
h5	12	#9	8'-0"	—
h6	4	#9	15'-9"	—
h7	5	#9	20'-0"	—
h8	12	#9	12'-7"	—
h9	4	#9	15'-10"	—
h10	7	#7	19'-10"	—
h11	38	#6	28'-10"	—
h12	16	#6	23'-9"	—
h13	16	#6	15'-7"	—
h14	5	#9	16'-3"	—
h15	12	#9	8'-0"	—
h16	4	#9	16'-2"	—
h17	4	#7	25'-10"	—
h18	17	#5	40'-10"	—
h19	14	#5	32'-3"	—
h20	56	#5	13'-2"	—
h21	12	#5	13'-6"	—
h22	9	#4	18'-11"	—
s	19	#5	4'-7"	D
s1	25	#5	4'-9"	D
v	298	#4	8'-0"	—
v1	298	#4	2'-4"	—
v2	12	#4	12'-2"	—
v3	12	#4	13'-0"	—
v4	32	#5	4'-0"	—
v5	14	#5	13'-11"	—
v6	3	#4	9'-11"	—
x	120	#4	4'-10"	—
z(E)	29	#7	9'-0"	L
Reinforcement Bars, Epoxy Coated	Pounds	20,705		
Concrete Box Culverts	Cu. Yd.	93.20		
Precast Concrete Box Culverts 8'x8'	Foot	180		



**SECTION THRU PRECAST BOX**

