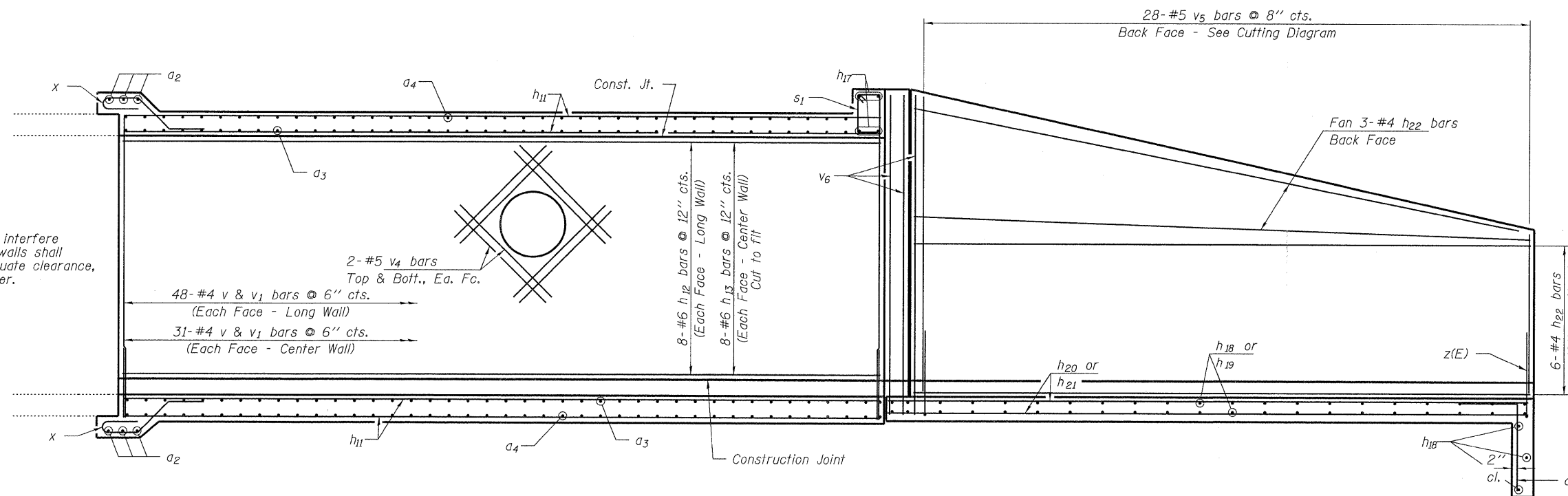
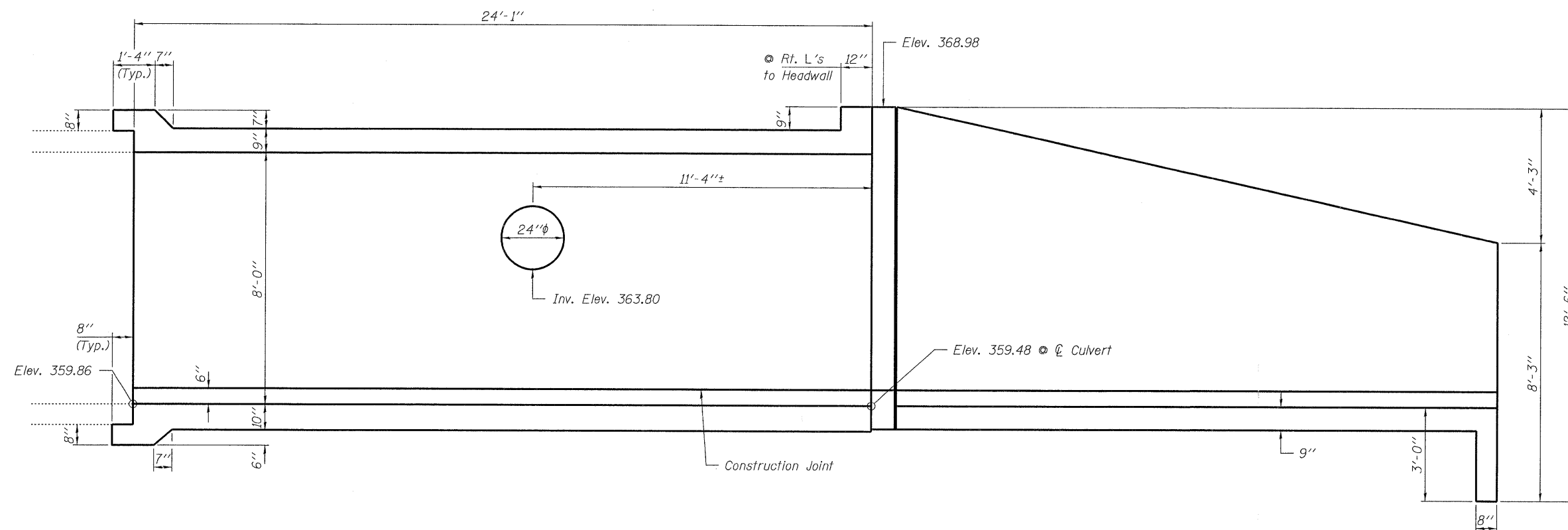


Note:
Reinforcement bars that interfere with pipes in holes in sidewalls shall be cut off to provide adequate clearance, as approved by the Engineer.



NORTH SIDE LONG. SECTION
(East End - Showing Reinf.)



NORTH SIDE LONG. SECTION
(East End - Showing Dimensions)

FILE NAME = 100260-sht-culvert.dgn	USER NAME =	DESIGNED - A.S.L.	REVISED -	STATE OF ILLINOIS DEPARTMENT OF TRANSPORTATION	CULVERT DETAILS - EAST END STRUCTURE NO. 064-7043	IL	SECTION	COUNTY	TOTAL SHEETS	SHEET NO.	
HAMPTON, LENZINI AND RENWICK, INC. 3303 STEVENSON DRIVE, SUITE 207 SPRINGFIELD, ILLINOIS 62703	PLOT SCALE =	CHECKED - D.W.T.	REVISED -			145	102 (N.L.)	MASSAC	79	31	
HLR ILLINOIS PROFESSIONAL DESIGN FIRM 18 / E / SE CORP. 184.000959	PLOT DATE = 11/18/2010	DRAWN - D.A.B.	REVISED -			CONTRACT NO. 78116					
		CHECKED - M.D.C.	REVISED -			ILLINOIS FED. AID PROJECT					