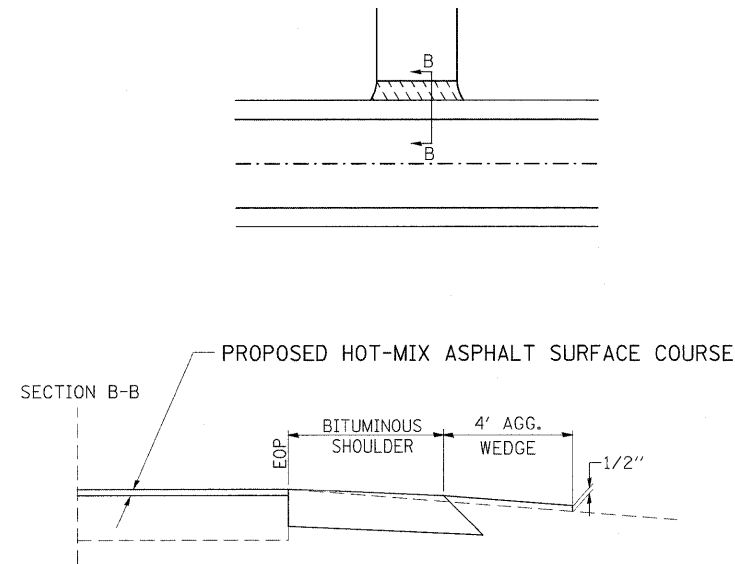
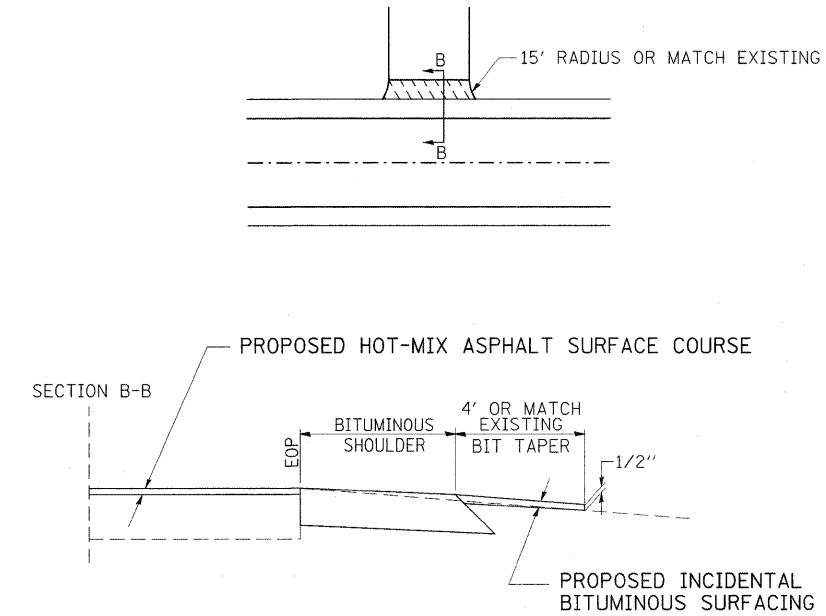


DETAIL OF AGGREGATE PRIVATE ENTRANCE



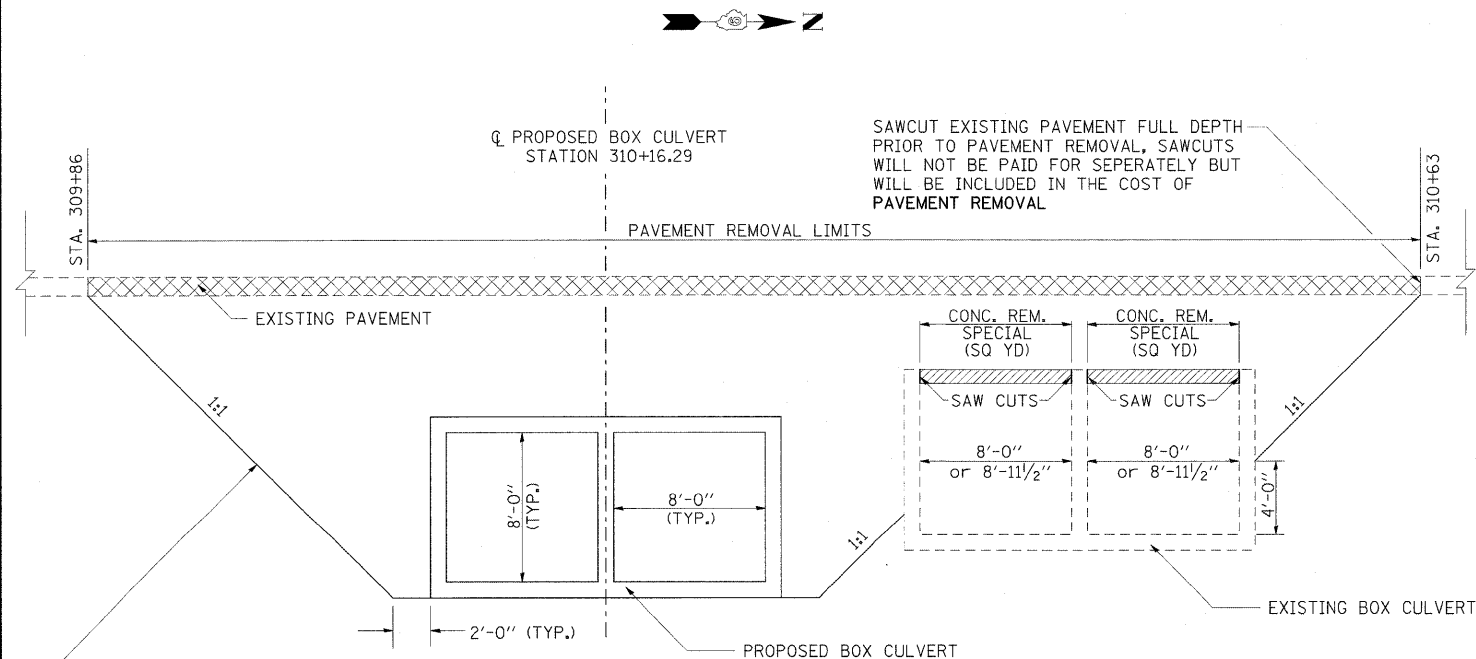
PREPARATION OF EXISTING SURFACE AND ANY EXCAVATION FOR ENTRANCES SHALL BE IN ACCORDANCE WITH ARTICLE 406.09 OF THE STANDARD SPECIFICATIONS.

DETAIL OF BITUMINOUS PRIVATE OR COMMERCIAL ENTRANCE



PREPARATION OF EXISTING SURFACE AND ANY EXCAVATION FOR ENTRANCES SHALL BE IN ACCORDANCE WITH ARTICLE 406.09 OF THE STANDARD SPECIFICATIONS.

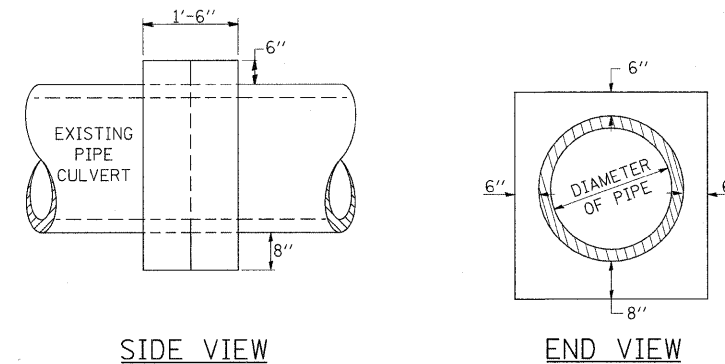
TYPICAL LIMITS OF POROUS GRANULAR EMBANKMENT & CONCRETE REMOVAL SPECIAL



APPROXIMATE LIMITS OF EXCAVATION AND MAXIMUM PAY LIMITS OF POROUS GRANULAR EMBANKMENT, OUTER 3'-0" OF CULVERT SHALL BE BACKFILLED WITH IMPERVIOUS MATERIAL AT EACH END.

NOTE: POROUS GRANULAR EMBANKMENT WILL BE CA7 OR CA11 WITH THE TOP 1' CONSISTING OF CA6 OR CA10

DETAILS OF CONCRETE COLLAR PIPE TO PIPE



TABULATION

DIAMETER OF PIPE	CL SI CONC CU YDS EST
12"	0.24
15"	0.29
18"	0.32
24"	0.44
30"	0.56
36"	0.66
42"	0.80
48"	0.93
54"	1.07
60"	1.22
72"	1.55

THE CONCRETE COLLAR SHALL BE PAID FOR AT THE CONTRACT UNIT PRICE PER CUBIC YARD FOR CONCRETE COLLAR, AS SHOWN ON THE PLANS, WHICH PRICE SHALL INCLUDE THE REMOVAL OF SUCH PORTIONS THE EXISTING HEADWALLS AS MAY BE REQUIRED.

CLASS SI CONCRETE SHALL BE USED THROUGHOUT.

FILE NAME =	USER NAME = niasdp	DESIGNED -	REVISED -
ct\pw\work\p1dot\niasdp\d0125145\d97811	5_sht_misc.dgn	DRAWN -	REVISED -
PLOT SCALE = 5.0000' / IN.	CHECKED -	REVISED -	REVISED -
PLOT DATE = 12/14/2010	DATE -	REVISED -	REVISED -

STATE OF ILLINOIS
DEPARTMENT OF TRANSPORTATION

DETAILS SHEET

SCALE: SHEET NO. OF SHEETS STA. TO STA.

F.A.P. RTE.	SECTION	COUNTY	TOTAL SHEETS	SHEET NO.
132	102 (N.L.)	MASSAC	79	35
CONTRACT NO. 78116			REVISIONS	
DRAWN 7-13-90		REVISED 8-22-94		
REVISED 3-26-08		REVISED		

STD. 9-79

ILLINOIS FED. AID PROJECT