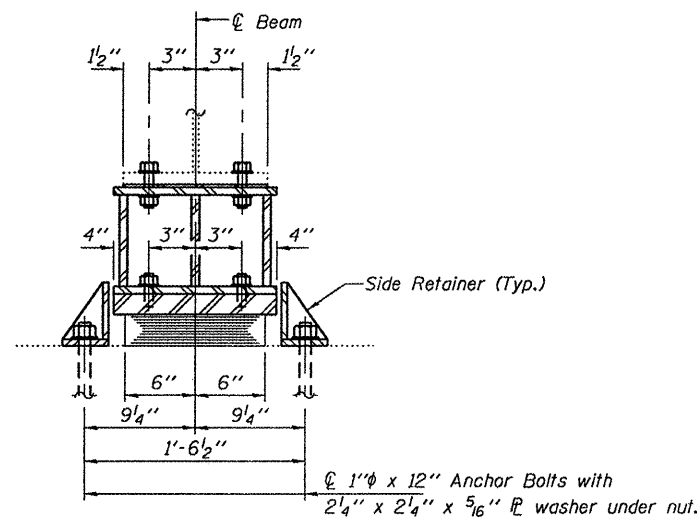
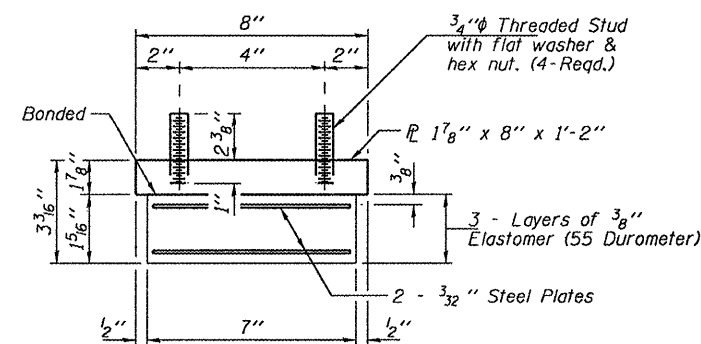


ELEVATION AT PIERS 3 & 5

TYPE I ELASTOMERIC EXP. BRG.

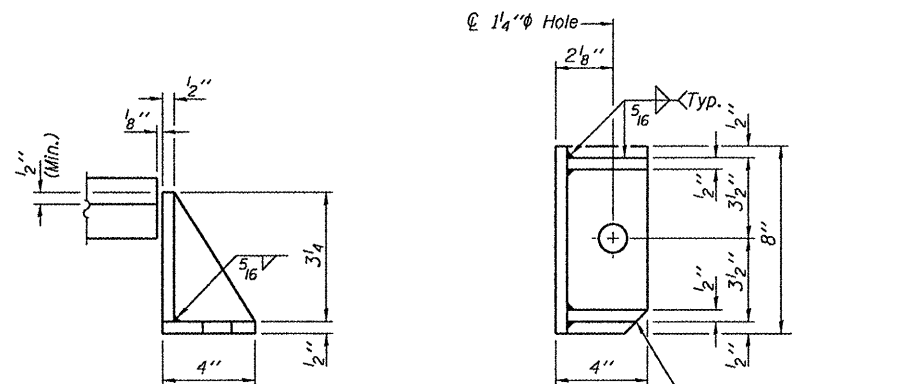


SECTION A-A



BEARING ASSEMBLY

Note: Shim plates shall not be placed under Bearing Assembly.



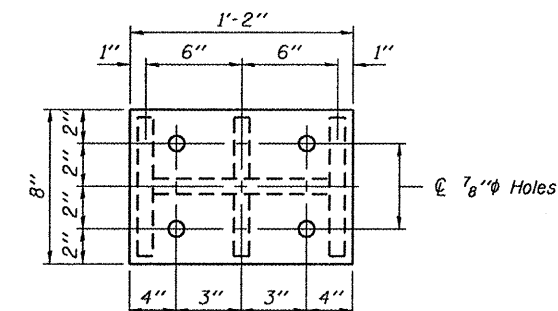
SIDE RETAINER

Equivalent rolled angle with stiffeners will be allowed in lieu of welded plates.

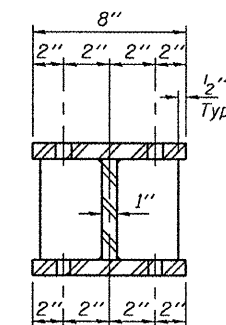
BEAM REACTIONS

RP	(K)	19.2
Rt	(K)	31.4
Imp.	(K)	9.3
R (Total)	(K)	59.9

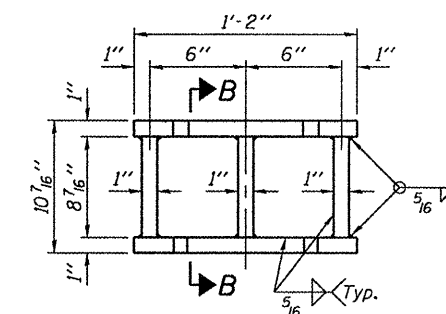
Notes:  
 Diaphragm removal and reinstallation may be required to facilitate drilling holes. Cost included with Furnishing and Erecting Structural Steel.  
 New steel extensions, shim plates and connection bolts are included with Furnishing and Erecting Structural Steel.  
 Prior to ordering any material, the Contractor shall verify in the field all bearing height and shim thickness dimensions. Min. jack capacity = 35 Tons.  
 Anchor bolts shall be ASTM F1554 all-thread (or an Engineer-approved alternate material) of the grade(s) and diameter(s) specified. ASTM A307 Grade C anchor bolts may be used in lieu of ASTM F1554 Grade 36 (Fy=36ksi). The corresponding specified grade of AASHTO M314 anchor bolts may be used in lieu of ASTM F1554.  
 Anchor bolts at fixed bearings may be either cast in place or installed in holes drilled after the supported member is in place.  
 Drilled and set anchor bolts shall be installed according to Article 521.06 of the Standard Specifications.  
 Side retainers shall be included in the cost of Elastomeric Bearing Assembly, Type I.



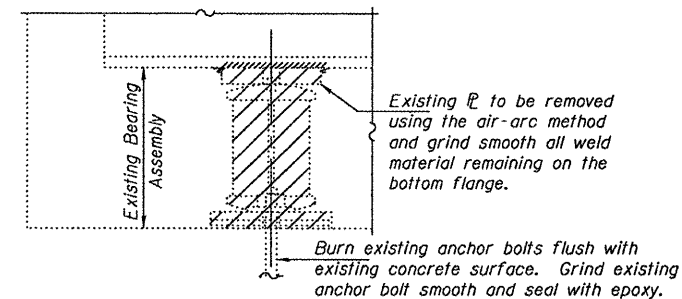
PLAN TOP AND BOTTOM PLATE



SECTION B-B



STEEL EXTENSION DETAIL



EXISTING BEARING REMOVAL DETAIL

Cost included with Jack and Remove Existing Bearings.

BILL OF MATERIAL

Item	Unit	Total
Elastomeric Bearing Assembly, Type I	Each	12
Jack and Remove Existing Bearings	Each	12
Furnishing and Erecting Structural Steel	Pound	1680
Anchor Bolts 1"φ	Each	24

DESIGNED IJL	EXAMINED	DATE - JANUARY 28, 2011
CHECKED ATH	ACTING ENGINEER OF STRUCTURAL SERVICES	
DRAWN baliva	PASSED	
CHECKED IJL ATH	ACTING ENGINEER OF BRIDGES AND STRUCTURES	

STATE OF ILLINOIS  
 DEPARTMENT OF TRANSPORTATION

BEARING REPLACEMENT DETAILS  
 PIERS 3 & 5 - UNITS I & III  
 SN 041-0032

F.A.S. RTE.	SECTION	COUNTY	TOTAL SHEETS	SHEET NO.
2869	D9 CM BRIDGE REPAIR 2011-2	JEFFERSON	24	13
			CONTRACT NO. 78233	
ILLINOIS FED. AID PROJECT				

SHEET NO. 2 OF 3 SHEETS