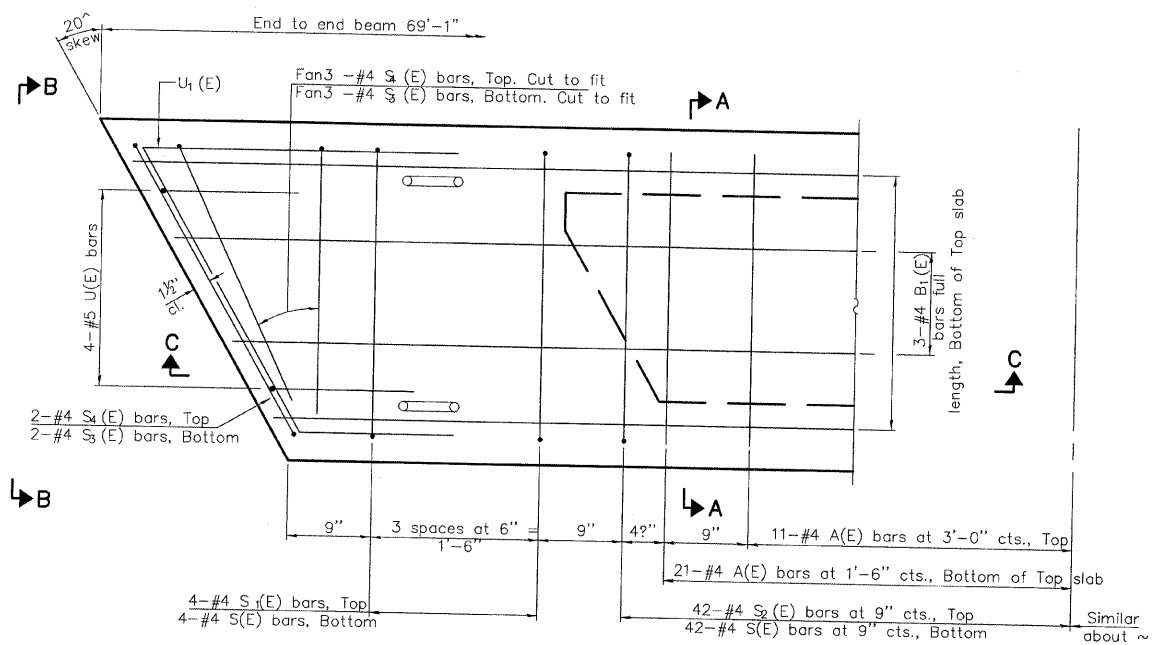
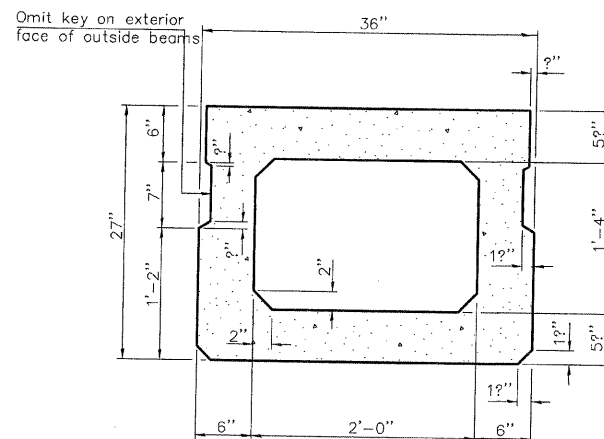


SECTION C-C

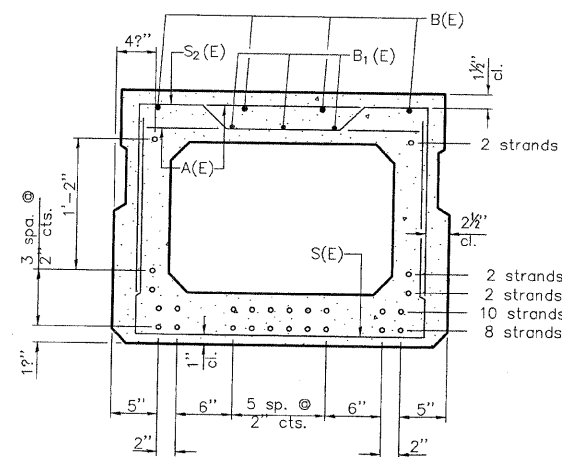


PLAN VIEW

Note: Spacing of S(E) and S₁(E) bars may be adjusted up to 4" in the immediate area of the transverse tie diaphragms to miss the block outs for the transverse ties.

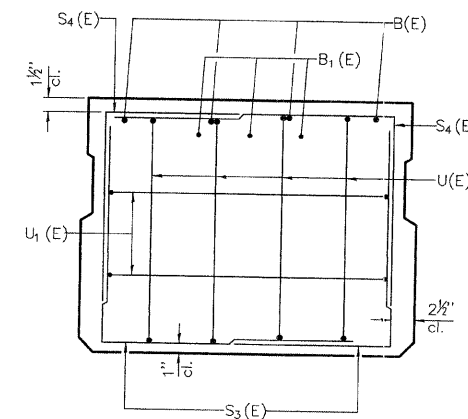


SECTION A-A
(Showing dimensions)



SECTION A-A

(Showing reinforcement and permissible strand locations)
Note: Place the number of strands specified in each row symmetrically about the centerline of beam in the permissible strand locations shown.

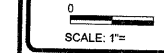


VIEW B-B

BAR LIST
ONE BEAM ONLY
(For information only)

Bar	No.	Size	Length	Shape
A(E)	64	#4	2'-7"	—
B(E)	4	#5	68'-9"	—
B ₁ (E)	3	#4	68'-9"	—
S(E)	92	#4	6'-5"	—
S ₁ (E)	8	#4	5'-11"	—
S ₂ (E)	84	#4	6'-2"	—
S ₃ (E)	6	#4	4'-4"	—
S ₄ (E)	6	#4	4'-1"	—
U(E)	8	#5	4'-6"	—
U ₁ (E)	4	#4	6'-1"	—

Note: See sheet 7 of 10 for additional details and Bill of Material.



REVISIONS

REVISION	DATE

DESIGNED BY: RLR
 DRAWN BY: RLR/DEB
 CHECKED BY: RLR/DEB
 IN CHARGE: RLR/DEB
 DATE: 11/04/2010

wendler
 GROUNDING SOLUTIONS
 engineers - surveyors - scientists
 www.wendlereng.com ph: 815.688.2281
 Illinois Professional Design Firm No. 184-030848

DECK BEAM DETAILS
 OF
 OIL VALLEY SCHOOL ROAD BRIDGE
 FOR
 CARROLL COUNTY HIGHWAY

SHEET TITLE
 DECK BEAM DETAILS

JOB NUMBER
 2100119

DATE
 11/04/2010

SHEET NO.
 6 of 10

SN 008-4014
 36"X27" PPC DECK BEAM
 SECTION 09-00088-00-BR
 CARROLL COUNTY