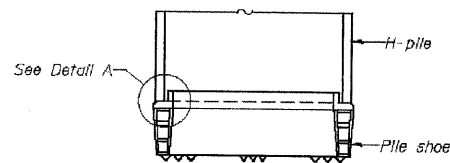
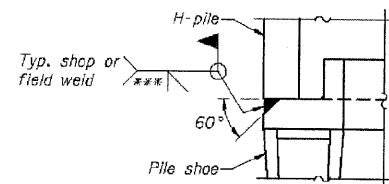


**STEEL PILE TABLE**

| Designation | Depth d | Flange width br | Web and Flange thickness t | Encasement diameter A |
|-------------|---------|-----------------|----------------------------|-----------------------|
| HP 14x117   | 14 1/4" | 14 7/8"         | 1 5/16"                    | 30"                   |
| x102        | 14"     | 14 3/4"         | 1 1/16"                    | 30"                   |
| x89         | 13 7/8" | 14 3/4"         | 5/8"                       | 30"                   |
| x73         | 13 5/8" | 14 5/8"         | 1/2"                       | 30"                   |
| HP 12x84    | 12 1/4" | 12 1/4"         | 1 1/16"                    | 24"                   |
| x74         | 12 1/8" | 12 1/4"         | 5/8"                       | 24"                   |
| x63         | 12"     | 12 1/8"         | 1/2"                       | 24"                   |
| x53         | 11 3/4" | 12"             | 7/16"                      | 24"                   |
| HP 10x57    | 10"     | 10 1/4"         | 9/16"                      | 24"                   |
| x42         | 9 3/4"  | 10 1/8"         | 7/16"                      | 24"                   |
| HP 8x36     | 8"      | 8 1/2"          | 7/16"                      | 18"                   |

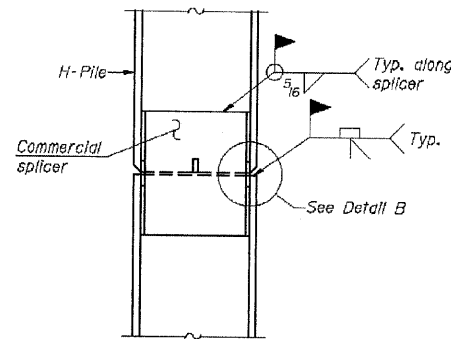


**ELEVATION**

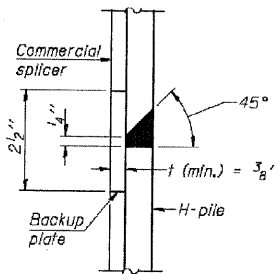


**DETAIL A**

**H-PILE SHOE ATTACHMENT**

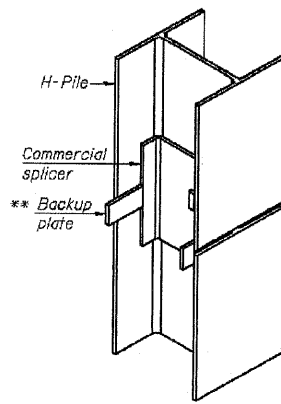


**ELEVATION**

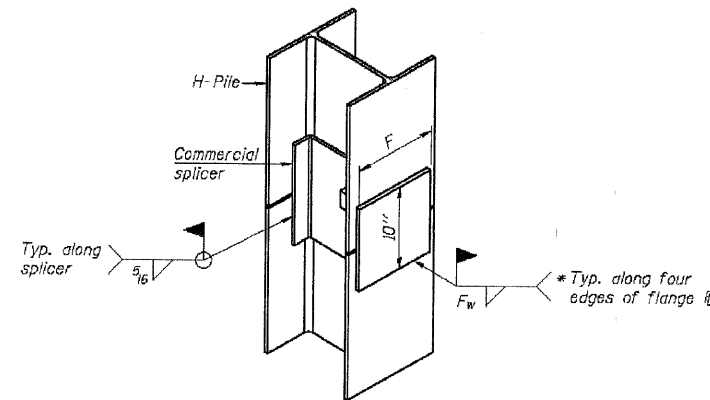


**DETAIL "B"**

**WELDED COMMERCIAL SPLICE**



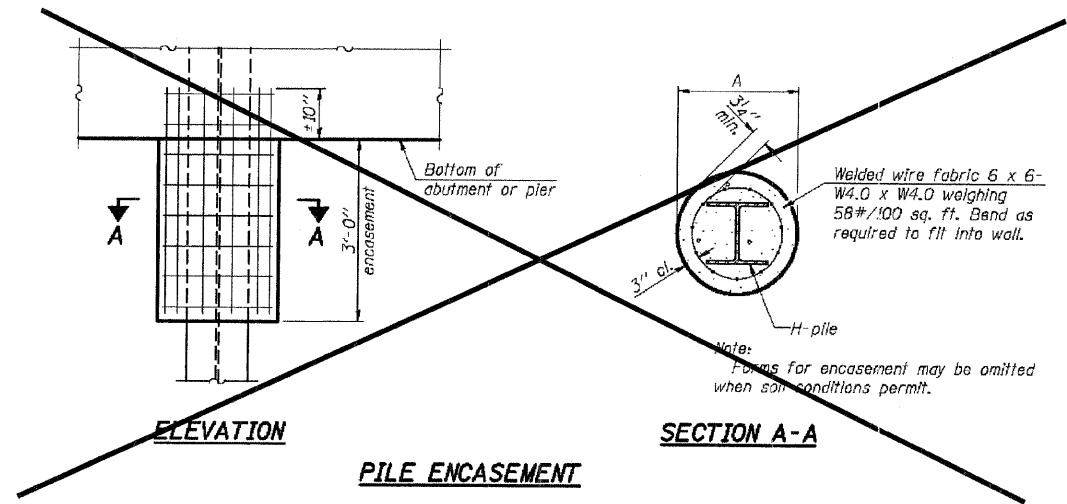
**ISOMETRIC VIEW**



**ISOMETRIC VIEW**

**WELDED COMMERCIAL SPLICE ALTERNATE**

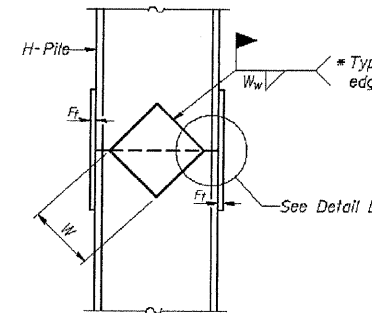
- \* Interrupt welds 1/4" from end of web and/or each flange.
- \*\* Remove portions of backup plates that extend outside the flanges.
- \*\*\* Weld size per pile shoe manufacturer (5/16" min.).



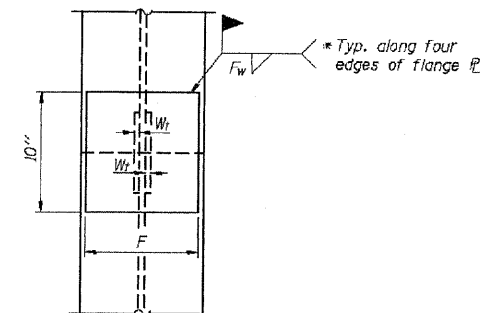
**ELEVATION**

**SECTION A-A**

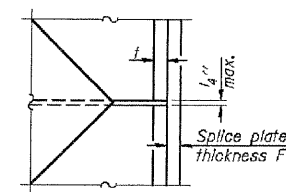
**PILE ENCASEMENT**



**ELEVATION**



**END VIEW**



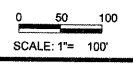
**DETAIL D**

**WELDED PLATE FIELD SPLICE**

| Designation | F       | Ft   | Fw     | W      | Wt     | Ww   |
|-------------|---------|------|--------|--------|--------|------|
| HP 14x117   | 12 1/2" | 1"   | 7/8"   | 7 3/4" | 5 8/8" | 1/2" |
| x102        | 12 1/2" | 7/8" | 3/4"   | 7 3/4" | 5 8/8" | 1/2" |
| x89         | 12 1/2" | 3/4" | 11/16" | 7 3/4" | 5 8/8" | 1/2" |
| x73         | 12 1/2" | 5/8" | 9/16"  | 7 3/4" | 5 8/8" | 1/2" |
| HP 12x84    | 10"     | 7/8" | 11/16" | 6 1/2" | 5 8/8" | 1/2" |
| x74         | 10"     | 7/8" | 11/16" | 6 1/2" | 5 8/8" | 1/2" |
| x63         | 10"     | 5/8" | 1/2"   | 6 1/2" | 1/2"   | 3/8" |
| x53         | 10"     | 5/8" | 1/2"   | 6 1/2" | 1/2"   | 3/8" |
| HP 10x57    | 8"      | 3/4" | 9/16"  | 5 1/4" | 1/2"   | 3/8" |
| x42         | 8"      | 5/8" | 9/16"  | 5 1/4" | 1/2"   | 3/8" |
| HP 8x36     | 7"      | 5/8" | 7/16"  | 4 1/2" | 1/2"   | 3/8" |

Note:  
The steel H-piles shall be according to AASHTO M270 Grade 50.

SN 008-4014  
PILING DETAILS  
SECTION 09-00088-00-BR  
CARROLL COUNTY



REVISIONS

| REVISION | DATE |
|----------|------|
|          |      |

DESIGNED BY: \_\_\_\_\_  
 CHECKED BY: \_\_\_\_\_  
 DRAWN BY: \_\_\_\_\_  
 DATE: \_\_\_\_\_

**wendler**  
 GROUND-BREAKING SOLUTIONS  
 engineers, surveyors, scientists  
 www.wendlerinc.com ph: 815.238.2261  
 Illinois Professional Design Firm No. 164-008649

PILE DETAIL SHEET  
 OF  
 OIL VALLEY SCHOOL ROAD BRIDGE  
 FOR  
 CARROLL COUNTY HIGHWAY

SHEET TITLE  
 PILE  
 DETAILS

JOB NUMBER  
 2100119  
 DATE  
 11/04/2010

SHEET NO.  
 10 of 10