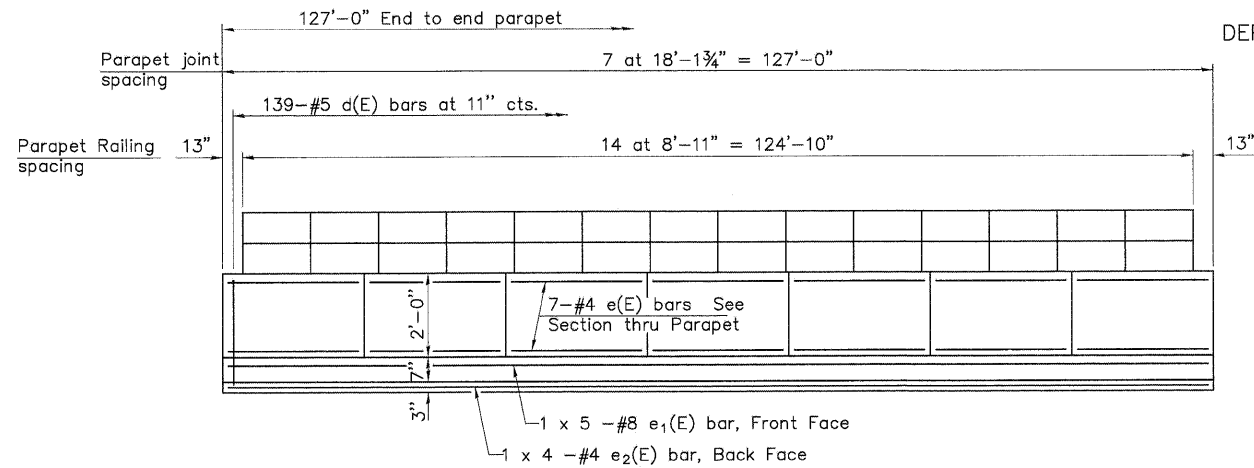


| | | | | |
|----------|----------------|--------|--------------|-----------|
| RTE. | SECTION | COUNTY | TOTAL SHEETS | SHEET NO. |
| N 5TH ST | 03-00289-00-BR | ADAMS | 90 | 46 |

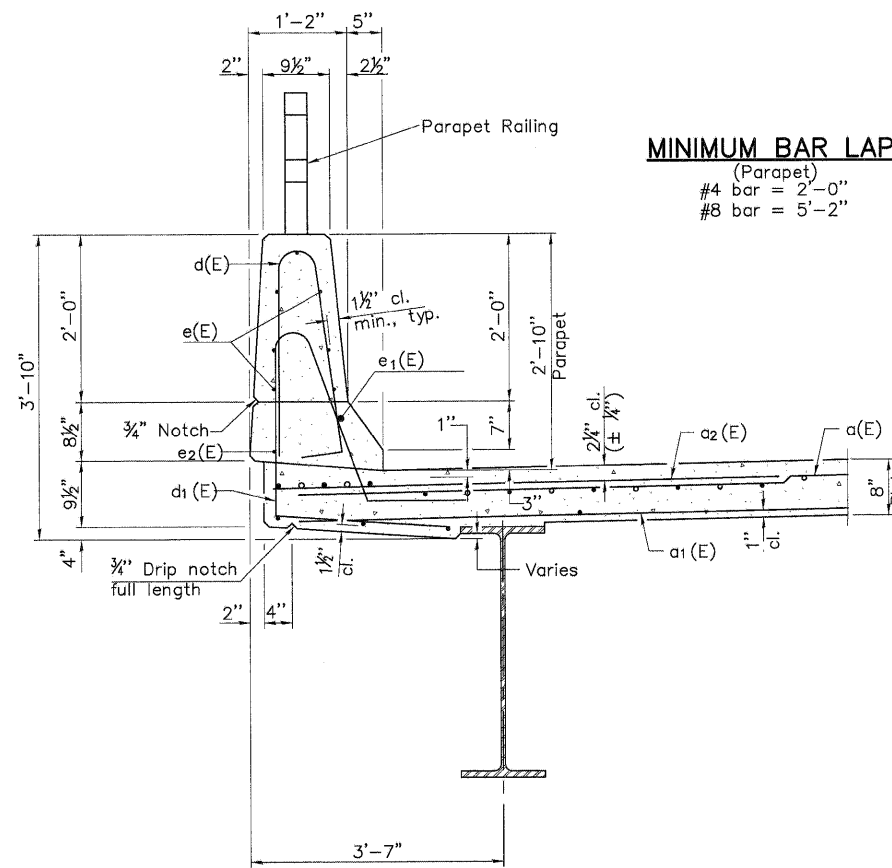
SUPERSTRUCTURE DETAILS

CONTRACT NO. 93542

SHEET 8 OF 18

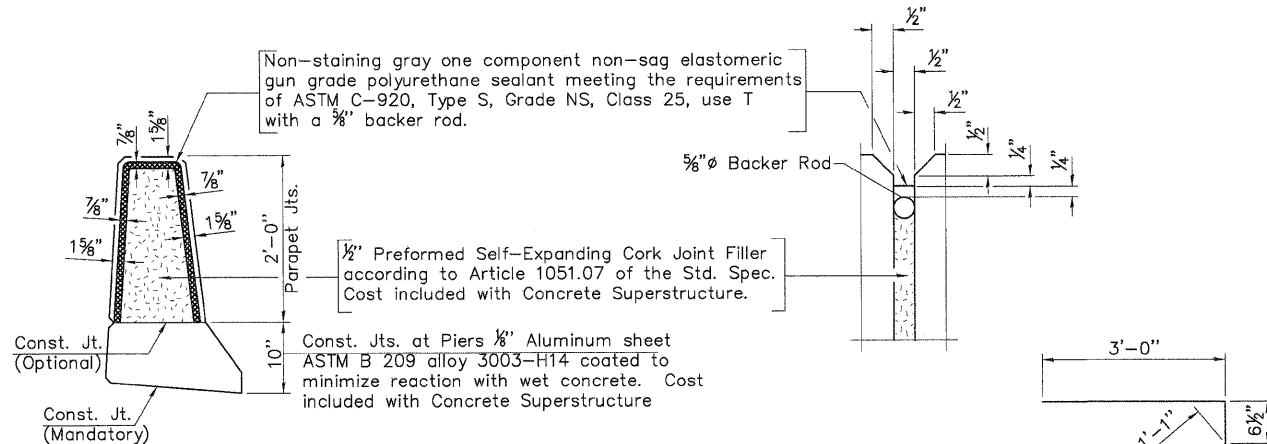


INSIDE ELEVATION OF PARAPET

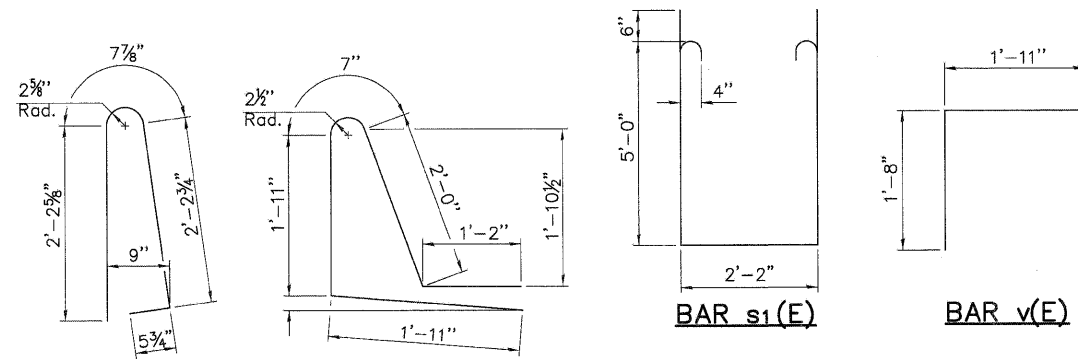


SECTION THRU PARAPET

MINIMUM BAR LAP
(Parapet)
#4 bar = 2'-0"
#8 bar = 5'-2"



PARAPET JOINT DETAILS



BAR d(E)

BAR d1(E)

BAR s1(E)

BAR v(E)

| | |
|----------|--------|
| DESIGNED | D.S.P. |
| CHECKED | C.S.B. |
| DRAWN | D.S.P. |
| CHECKED | C.S.B. |

| | |
|----------|------------------------------------|
| EXAMINED | 20 |
| PASSED | ENGINEER OF BRIDGE DESIGN |
| | ENGINEER OF BRIDGES AND STRUCTURES |

PSBA
POEPPING, STONE, BACH & ASSOCIATES, INC.
ARCHITECTS ENGINEERS PLANNERS SURVEYORS
100 S 54TH ST, P.O. BOX 709 • QUINCY, IL 62306
WITH OFFICES IN IKEOKUK, IOWA & HANNIBAL, MISSOURI
www.psba.com • PHONE 877-223-4605

| REVISIONS | |
|-----------|------|
| NAME | DATE |
| | |
| | |
| | |
| | |
| | |
| | |

SUPERSTRUCTURE DETAILS
STRUCTURE NO. 001-6012

CITY OF QUINCY, ILLINOIS
N. 5TH STREET BRIDGE
SUPERSTRUCTURE DETAILS

SCALE: VERT. _____ DRAWN BY: DSP
HORIZ. _____ CHECKED BY: CSE
DATE _____

SUPERSTRUCTURE
BILL OF MATERIAL

| Bar | No. | Size | Length | Shape |
|----------------------------------|-----|------|----------|--------|
| a(E) | 278 | #5 | 34'-7" | — |
| a1(E) | 170 | #5 | 33'-10" | — |
| a2(E) | 278 | #6 | 6'-6" | — |
| a3(E) | 4 | #5 | 36'-1" | — |
| b(E) | 156 | #5 | 33'-7" | — |
| b1(E) | 150 | #5 | 27'-5" | — |
| d(E) | 278 | #5 | 5'-7" | ∟ |
| d1(E) | 278 | #5 | 7'-7" | ∟ |
| e(E) | 98 | #4 | 17'-9" | — |
| e1(E) | 10 | #8 | 29'-6" | — |
| e2(E) | 8 | #4 | 33'-3" | — |
| m(E) | 10 | #6 | 36'-2" | — |
| m1(E) | 20 | #6 | 9'-10" | — |
| m2(E) | 8 | #6 | 6'-8" | — |
| m3(E) | 4 | #6 | 2'-10" | — |
| s(E) | 68 | #5 | 6'-10" | ∟ |
| s1(E) | 60 | #4 | 13'-2" | ∟ |
| v(E) | 70 | #5 | 3'-7" | ∟ |
| Reinforcement Bars, Epoxy Coated | | | Pound | 36,800 |
| Concrete Superstructure | | | Cu. Yds. | 170.2 |
| Protective Coat | | | Sq. Yds. | 554 |
| Bridge Deck Grooving | | | Sq. Yds. | 424 |

Bars indicated thus 1 x 4 -#5 etc. indicates 1 line of bars with 4 lengths per line.