

RTE.	SECTION	COUNTY	TOTAL SHEETS	SHEET NO.
N 5TH ST	03-00289-00-BR	ADAMS	90	49

DIAPHRAGM DETAILS

CONTRACT NO. 93542

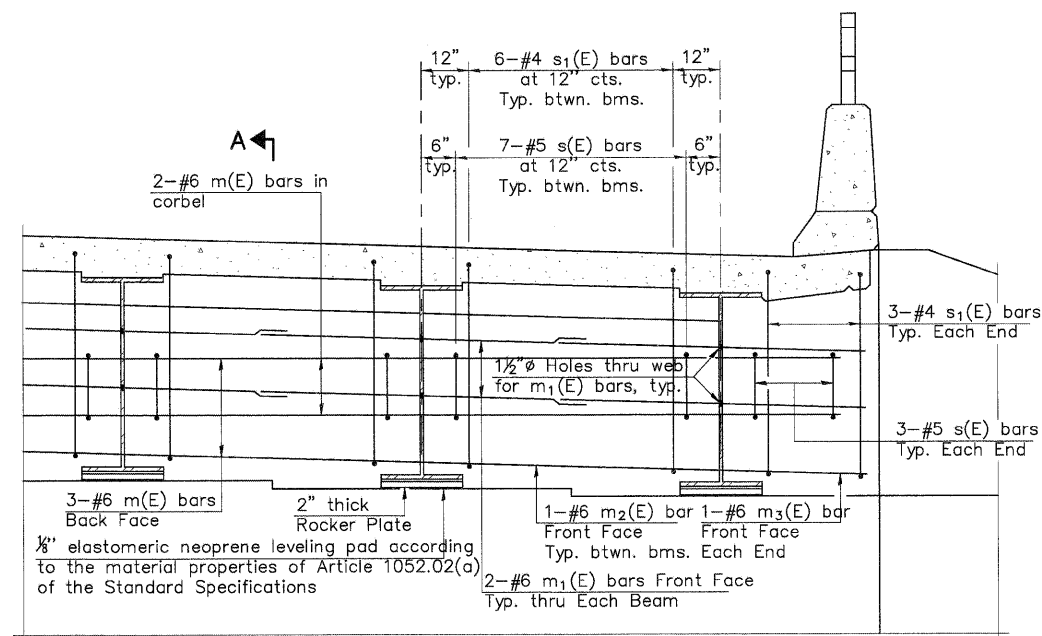
SHEET 11 OF 18

Notes:

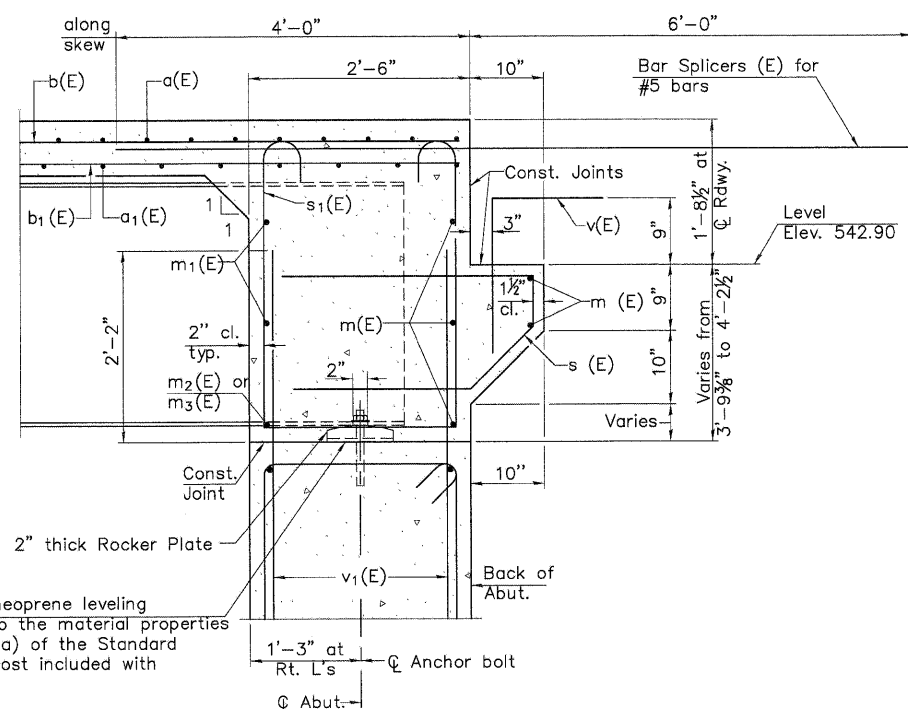
Reinforcement bars in diaphragm are billed with superstructure on sheet 8 of 18.  
Concrete in diaphragm is included with Concrete Superstructure on sheet 8 of 18.  
For details of bars s(E) & s<sub>1</sub>(E) see sheet 8 of 18.  
The s(E) and s<sub>1</sub>(E) bars shall be placed parallel to the beams. Spacing for these bars shall be at right angles to the beams.

**MIN. BAR LAP**

#6 bar = 3'-4"

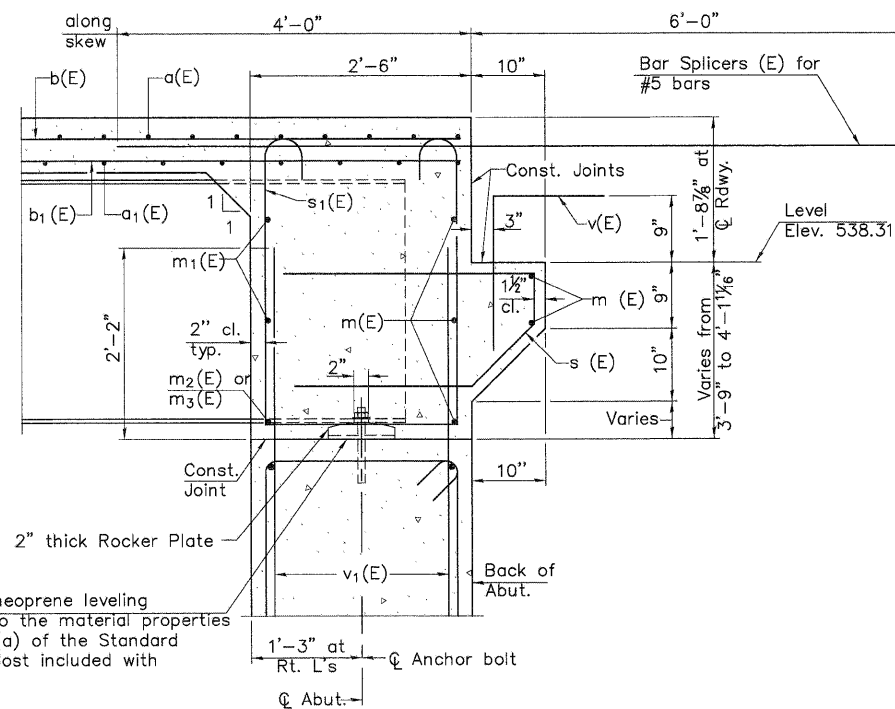


**DIAPHRAGM ELEVATION AT ABUTMENT**



**SECTION A-A SOUTH ABUTMENT**

Dimensions at right angles to abutment, except as shown.



**SECTION A-A NORTH ABUTMENT**

Dimensions at right angles to abutment, except as shown.

**DIAPHRAGM DETAILS  
STRUCTURE NO. 001-6012**

DESIGNED	D.S.P.
CHECKED	C.S.B.
DRAWN	D.S.P.
CHECKED	C.S.B.

EXAMINED	20	ENGINEER OF BRIDGE DESIGN
PASSED		ENGINEER OF BRIDGES AND STRUCTURES

SI-DS1

11-1-09

**PSBA**  
POEPPING, STONE, BACH & ASSOCIATES, INC.  
ARCHITECTS ENGINEERS PLANNERS SURVEYORS  
100 S 84TH ST., P.O. BOX 709 • QUINCY, IL 62306  
WITH OFFICES IN IKEOKUK, IOWA & HANNIBAL, MISSOURI  
www.psba.com • PHONE 877-223-4605

REVISIONS	
NAME	DATE

CITY OF QUINCY, ILLINOIS  
N. 5TH STREET BRIDGE  
DIAPHRAGM DETAILS

SCALE: VERT.      DRAWN BY: DSP  
                  HORIZ.      CHECKED BY: CSE  
DATE