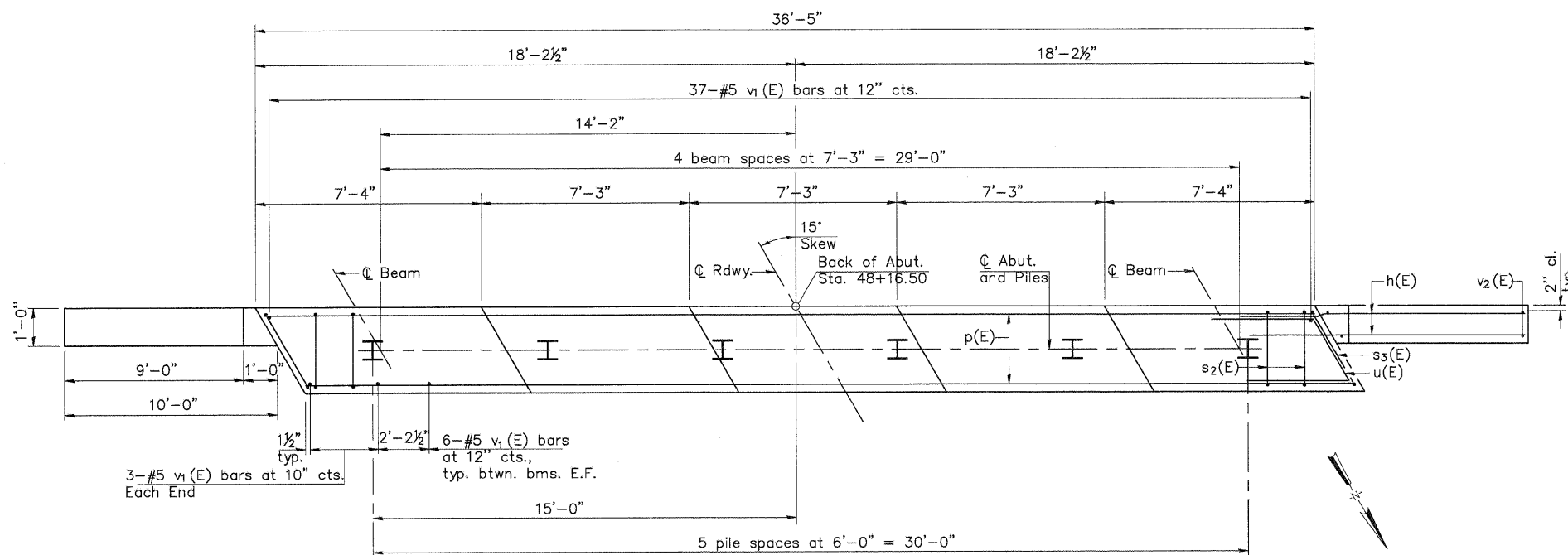
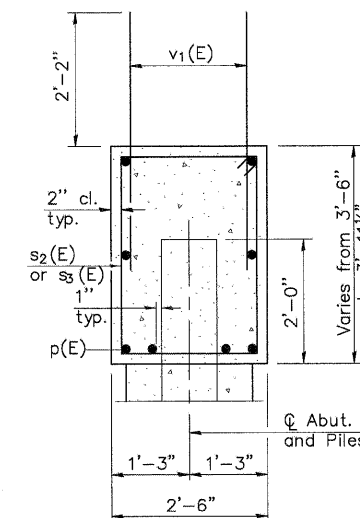
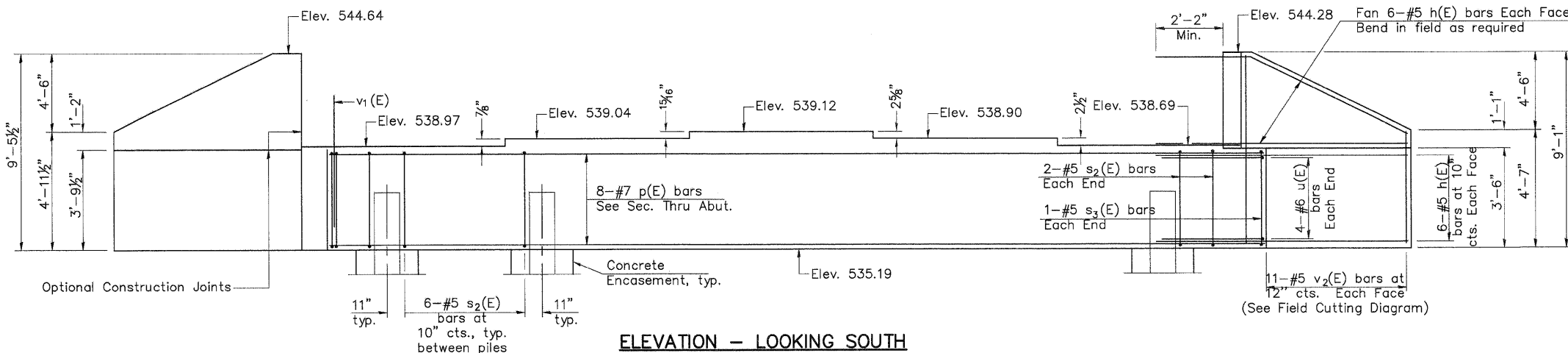


RTE.	SECTION	COUNTY	TOTAL SHEETS	SHEET NO.
N 5TH ST	03-00289-00-BR	ADAMS	90	52
SOUTH ABUTMENT				

CONTRACT NO. 93542

SHEET 14 OF 18

Notes:  
Four steps monolithically with cap.



**BILL OF MATERIAL**

Bar	No.	Size	Length	Shape
h(E)	48	#5	13'-1"	—
p(E)	8	#7	36'-1"	—
s <sub>2</sub> (E)	34	#5	11'-7"	□
s <sub>3</sub> (E)	2	#5	11'-9"	□
u(E)	8	#6	9'-3"	∩
v <sub>1</sub> (E)	74	#5	4'-4"	—
v <sub>2</sub> (E)	22	#5	12'-10"	—
Structure Excavation	Cu. Yd.	26		
Concrete Structures	Cu. Yd.	17.9		
Reinforcement Bars, Epoxy Coated	Pound	2,420		
Furnishing Steel Piles, HP12x53	Foot	150		
Driving Piles	Foot	150		
Test Pile, HP12x53	Each	1		
Concrete Encasement	Cu. Yd.	2.1		
Pile Shoes	Each	6		

For details of Bar Splicers, see sheet 16 of 18.  
For details of piles and Concrete Encasement, see sheet 16 of 18.

**SOUTH ABUTMENT  
STRUCTURE NO. 001-6012**

**PILE DATA**

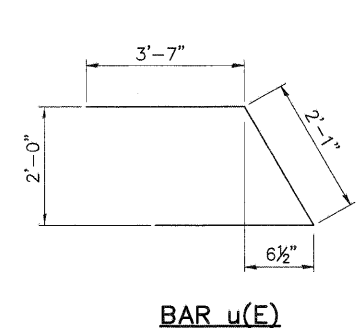
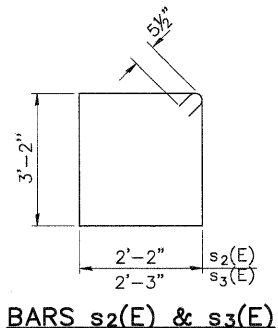
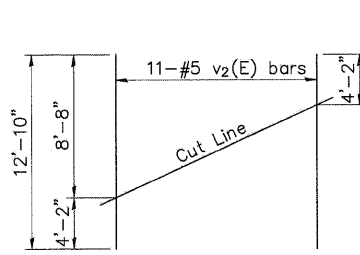
Type: HP12x53 w/ Pile Shoes  
 Nominal Required Bearing: 419 kips  
 Factored Resistance Available: 210 kips  
 Est. Length: 30 feet  
 No. Production Piles: 5  
 No. Test Piles: 1 \*

DESIGNED	D.S.P.
CHECKED	C.S.B.
DRAWN	D.S.P.
CHECKED	C.S.B.

\* Driven to 110% N.R.B  
20

EXAMINED  
ENGINEER OF BRIDGE DESIGN

PASSED  
ENGINEER OF BRIDGES AND STRUCTURES



**PSBA**  
POEPPING, STONE, BACH & ASSOCIATES, INC.  
ARCHITECTS ENGINEERS PLANNERS SURVEYORS  
100 S 64TH ST., P.O. BOX 709 • QUINCY, IL 62306  
WITH OFFICES IN IKEOKUK, IOWA & HANNIBAL, MISSOURI  
www.psba.com • PHONE 877-223-4605

REVISIONS	NAME	DATE

CITY OF QUINCY, ILLINOIS  
N. 5TH STREET BRIDGE  
SOUTH ABUTMENT

SCALE: VERT. \_\_\_\_\_  
HORIZ. \_\_\_\_\_

DATE \_\_\_\_\_ DRAWN BY: DSP  
CHECKED BY: CSE

AI-L 11-1-09