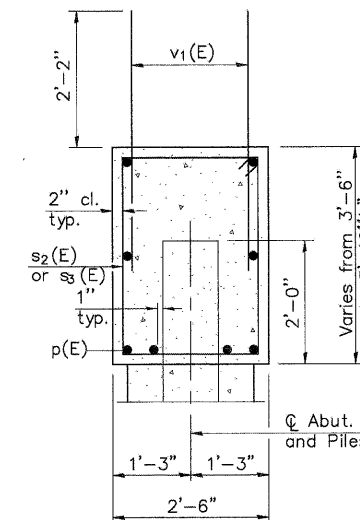
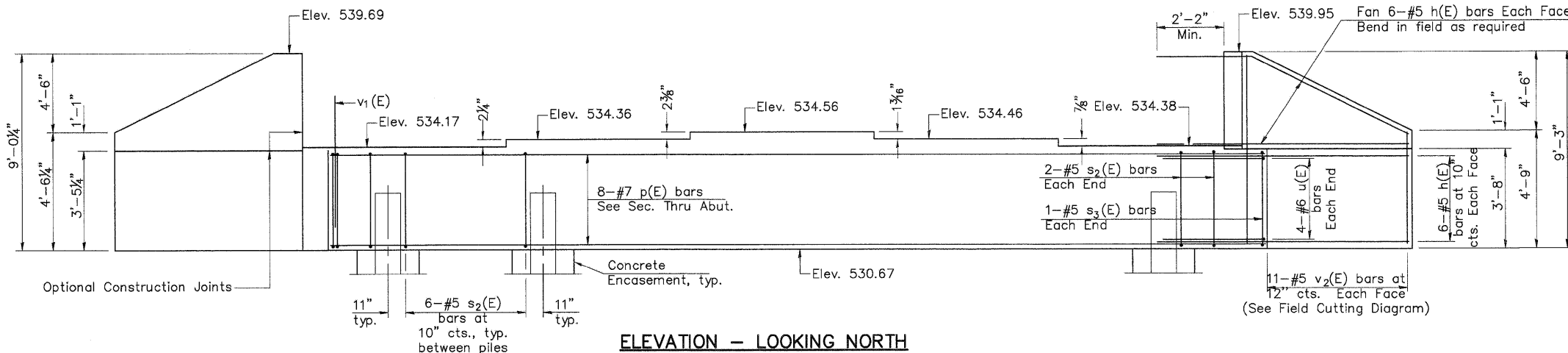


RTE.	SECTION	COUNTY	TOTAL SHEETS	SHEET NO.
N 5TH ST	03-00289-00-BR	ADAMS	90	53
NORTH ABUTMENT				

CONTRACT NO. 93542

SHEET 15 OF 18

Notes:  
Four steps monolithically with cap.



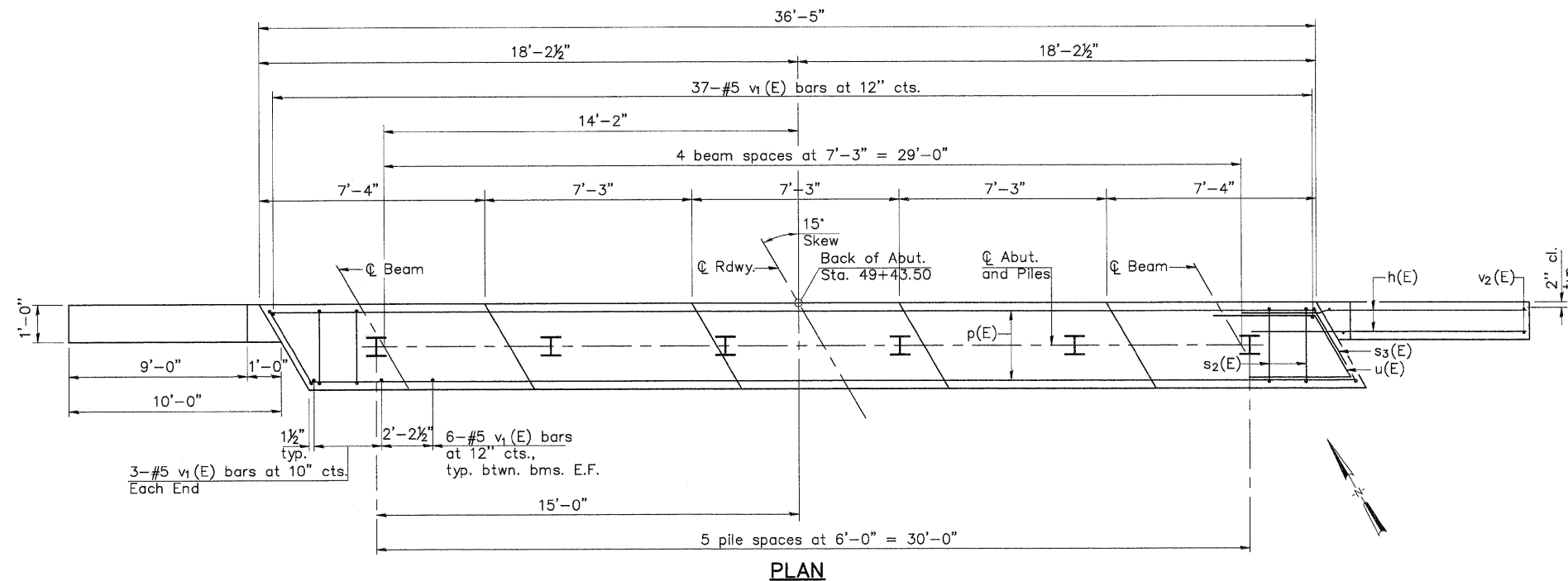
**SEC. THRU ABUT.**

**BILL OF MATERIAL**

Bar	No.	Size	Length	Shape
h(E)	48	#5	13'-1"	—
p(E)	8	#7	36'-1"	—
s <sub>2</sub> (E)	34	#5	11'-7"	□
s <sub>3</sub> (E)	2	#5	11'-9"	□
u(E)	8	#6	9'-3"	∩
v <sub>1</sub> (E)	74	#5	4'-4"	—
v <sub>2</sub> (E)	22	#5	12'-10"	—
Structure Excavation		Cu. Yd.	65	
Concrete Structures		Cu. Yd.	17.9	
Reinforcement Bars, Epoxy Coated		Pound	2,420	
Furnishing Steel Piles, HP12x53		Foot	150	
Driving Piles		Foot	150	
Test Pile, HP12x53		Each	1	
Concrete Encasement		Cu. Yd.	2.1	
Pile Shoes		Each	6	

For details of Bar Splicers, see sheet 16 of 18.  
For details of piles and Concrete Encasement, see sheet 16 of 18.

**NORTH ABUTMENT  
STRUCTURE NO. 001-6012**



**PILE DATA**

Type: HP12x53 w/ Pile Shoes  
 Nominal Required Bearing: 419 kips  
 Factored Resistance Available: 210 kips  
 Est. Length: 30 feet  
 No. Production Piles: 5  
 No. Test Piles: 1 \*

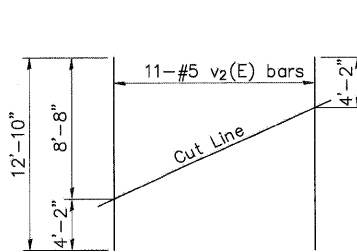
\* Driven to 110% N.R.B.  
20

EXAMINED  
ENGINEER OF BRIDGE DESIGN  
 PASSED  
ENGINEER OF BRIDGES AND STRUCTURES

DESIGNED	D.S.P.
CHECKED	C.S.B.
DRAWN	D.S.P.
CHECKED	C.S.B.

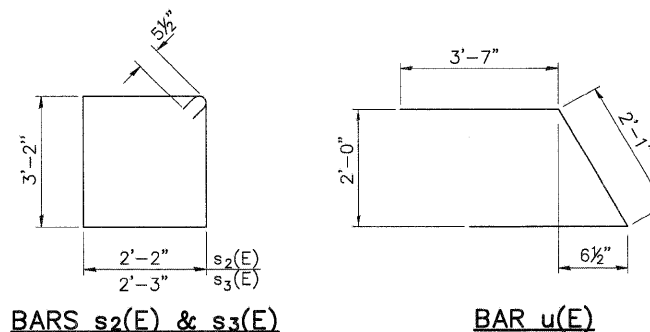
AI-L

11-1-09



**FIELD CUTTING DIAGRAM**

Order v<sub>2</sub>(E) full length. Cut as shown and use remainder of bars in opposite face.



**PSBA**  
 POEPPING, STONE, BACH & ASSOCIATES, INC.  
 ARCHITECTS ENGINEERS PLANNERS SURVEYORS  
 100 S 84TH ST, P.O. BOX 709 • QUINCY, IL 62306  
 WITH OFFICES IN KEOKUK, IOWA & HANNIBAL, MISSOURI  
 www.psba.com • PHONE 877-223-4605

REVISIONS	NAME	DATE

CITY OF QUINCY, ILLINOIS  
 N. 5TH STREET BRIDGE  
 NORTH ABUTMENT

SCALE: VERT. \_\_\_\_\_  
 HORIZ. \_\_\_\_\_  
 DATE \_\_\_\_\_

DRAWN BY: DSP  
 CHECKED BY: CSE