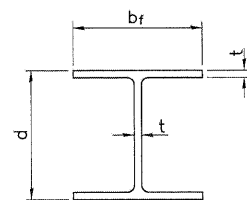


RTE.	SECTION	COUNTY	TOTAL SHEETS	SHEET NO.
N 5TH ST	03-00289-00-BR	ADAMS	90	54

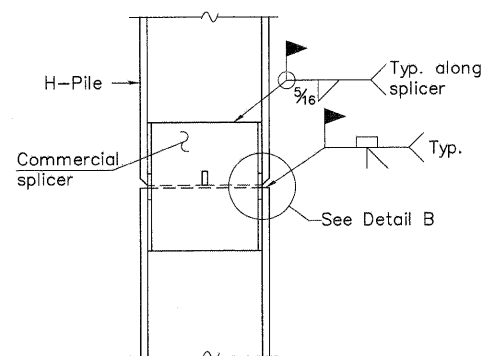
PILE DETAILS

CONTRACT NO. 93542

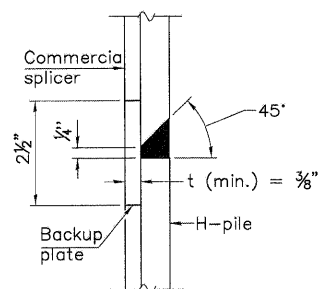


STEEL PILE TABLE

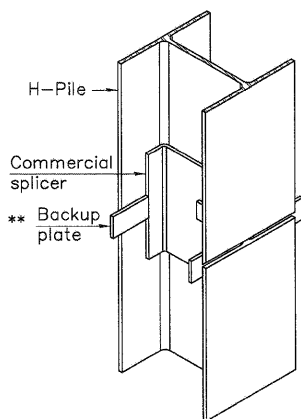
Designation	Depth d	Flange width bf	Web and Flange thickness t	Encasement diameter A
HP 14x117	14 1/4"	14 7/8"	1 3/16"	30"
x102	14"	14 3/4"	1 1/16"	30"
x89	13 7/8"	14 3/4"	5/8"	30"
x73	13 5/8"	14 5/8"	1/2"	30"
HP 12x84	12 1/2"	12 1/4"	1 1/16"	24"
x74	12 1/8"	12 1/4"	5/8"	24"
x63	12"	12 1/8"	1/2"	24"
x53	11 3/4"	12"	7/16"	24"
HP 10x57	10"	10 1/4"	9/16"	24"
x42	9 3/4"	10 1/8"	7/16"	24"
HP 8x36	8"	8 1/8"	7/16"	18"



ELEVATION

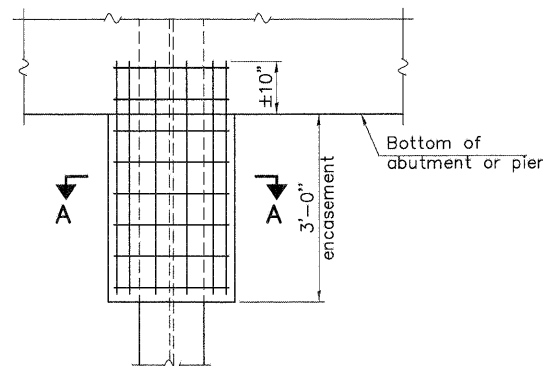


DETAIL "B"



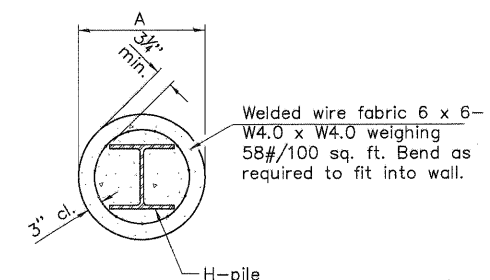
ISOMETRIC VIEW

WELDED COMMERCIAL SPLICE



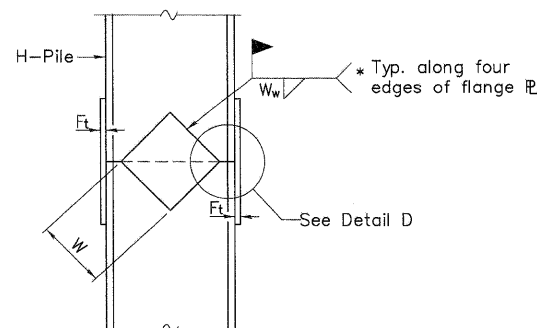
ELEVATION

PILE ENCASEMENT

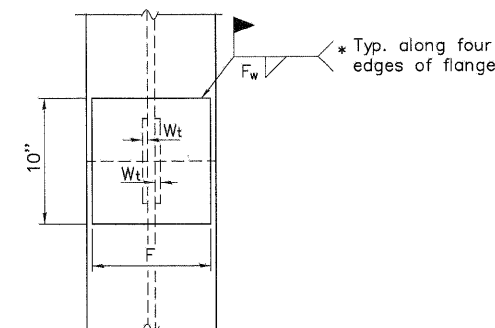


SECTION A-A

Note:
Forms for encasement may be omitted when soil conditions permit.



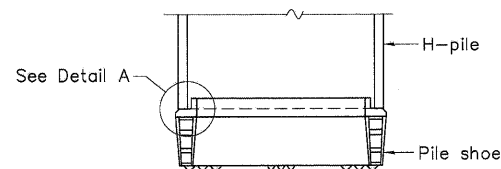
ELEVATION



END VIEW

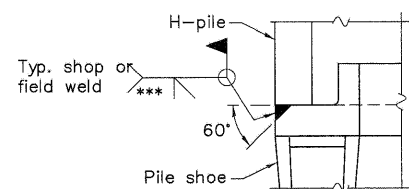
Designation	F	F _t	F _w	W	W _t	W _w
HP 14x117	12 1/2"	1"	7/8"	7 3/4"	5"	1/2"
x102	12 1/2"	7/8"	3/4"	7 3/4"	5"	1/2"
x89	12 1/2"	3/4"	1 1/16"	7 3/4"	5"	1/2"
x73	12 1/2"	5/8"	9/16"	7 3/4"	5"	1/2"
HP 12x84	10"	7/8"	1 1/16"	6 1/2"	5"	1/2"
x74	10"	7/8"	1 1/16"	6 1/2"	5"	1/2"
x63	10"	5/8"	1/2"	6 1/2"	1/2"	3/8"
x53	10"	5/8"	1/2"	6 1/2"	1/2"	3/8"
HP 10x57	8"	3/4"	9/16"	5 1/4"	1/2"	3/8"
x42	8"	5/8"	9/16"	5 1/4"	1/2"	3/8"
HP 8x36	7"	5/8"	7/16"	5 1/4"	1/2"	3/8"

PILE DETAILS
STRUCTURE NO. 001-6012

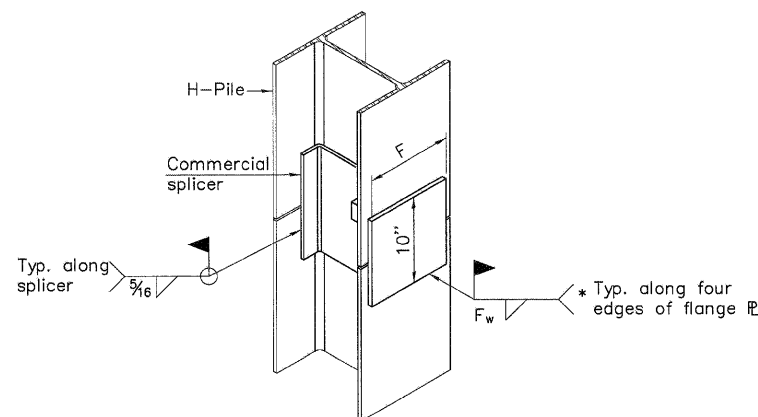


ELEVATION

H-PILE SHOE ATTACHMENT



DETAIL A



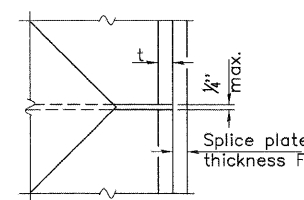
ISOMETRIC VIEW

WELDED COMMERCIAL SPLICE ALTERNATE

- * Interrupt welds 1/4" from end of web and/or each flange.
- ** Remove portions of backup plates that extend outside the flanges.
- *** Weld size per pile shoe manufacturer (5/16" min.).

Note:
The steel H-piles shall be according to AASHTO M270 Grade 50.

WELDED PLATE FIELD SPLICE



DETAIL D

DESIGNED	D.S.P.
CHECKED	C.S.B.
DRAWN	D.S.P.
CHECKED	C.S.B.

F-HP

EXAMINED	20
PASSED	

ENGINEER OF BRIDGE DESIGN
ENGINEER OF BRIDGES AND STRUCTURES

11-1-09

PSBA
POEPPING, STONE, BACH & ASSOCIATES, INC.
ARCHITECTS ENGINEERS PLANNERS SURVEYORS
100 S 54TH ST, P.O. BOX 709 • QUINCY, IL 62306
WITH OFFICES IN IKEOKUK, IOWA & HANNIBAL, MISSOURI
www.psbainc.com • PHONE 617-223-4805

REVISIONS	
NAME	DATE

CITY OF QUINCY, ILLINOIS
N. 5TH STREET BRIDGE
PILE DETAILS

SCALE: VERT.
DATE

DRAWN BY: DSP
CHECKED BY: CSE