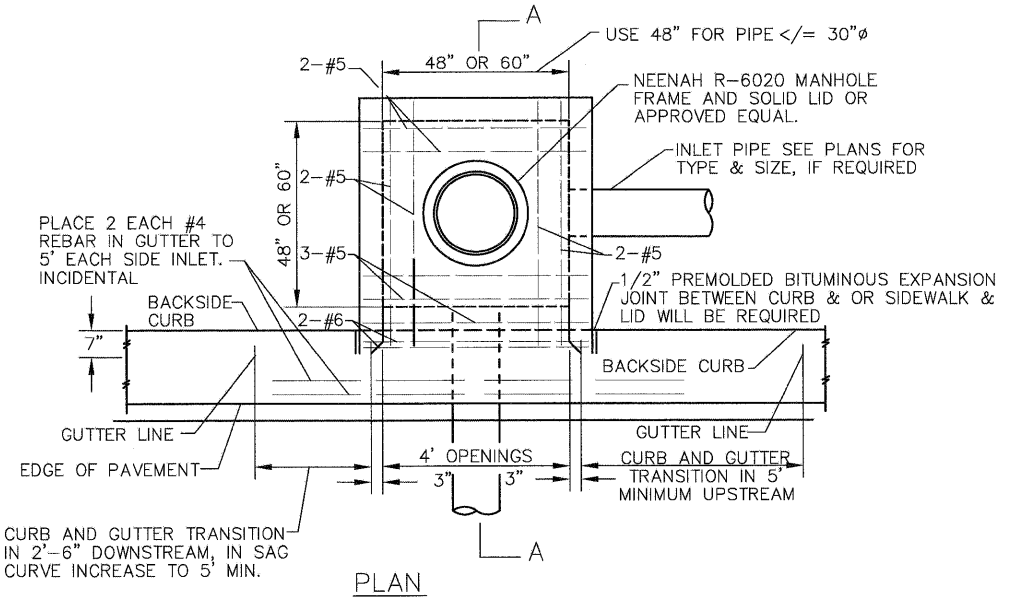


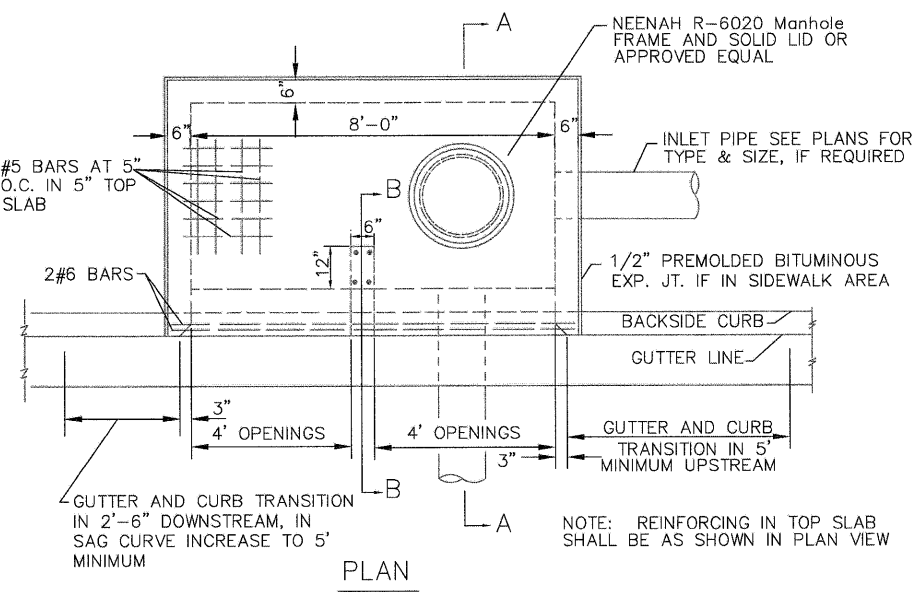
RTE.	SECTION	COUNTY	TOTAL SHEETS	SHEET NO.
N 5TH ST	03-00289-00-BR	ADAMS	90	58

SPECIAL INLET DETAILS
 CONTRACT NO. 93542



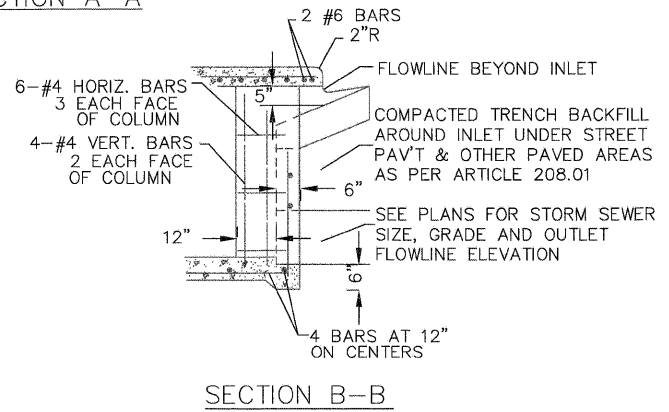
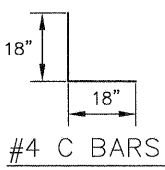
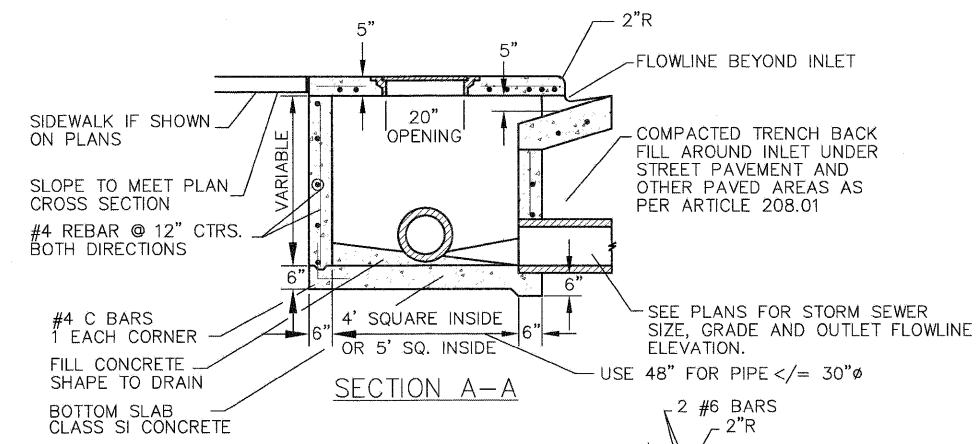
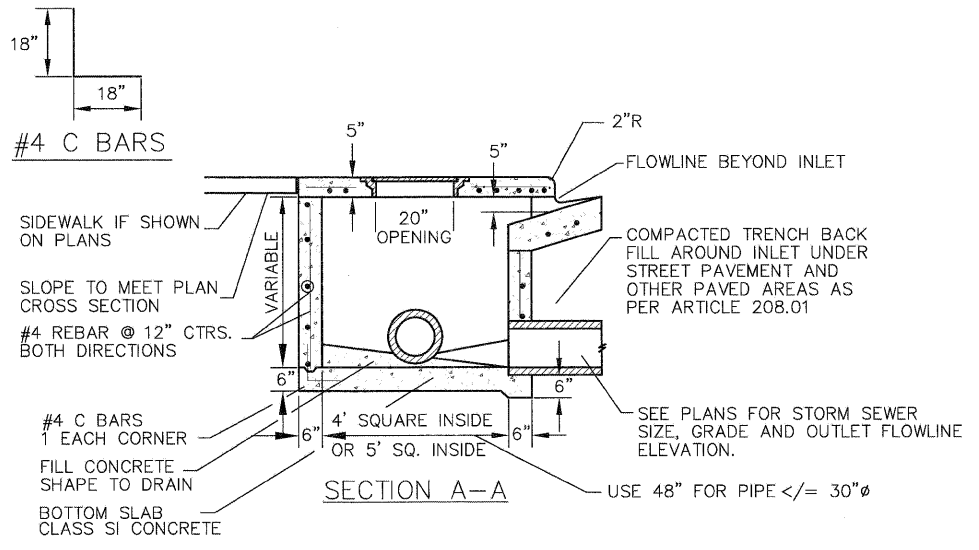
INLETS, SPECIAL, TYPE E, 4'X4'

- STA 43+00.00, 16.58' LT
- STA 43+00.00, 16.58' RT
- STA 44+85.00, 16.58' RT
- STA 47+80.00, 16.58' LT
- STA 47+70.00, 16.58' RT



INLETS, SPECIAL

- STA 50+46.20, 16.58' LT
- STA 50+46.20, 16.58' RT



GENERAL INLET NOTES

1. THE CONTRACT UNIT PRICE FOR INLETS, SPECIAL OR INLETS, SPECIAL, TYPE E SHALL INCLUDE THE COST OF THE FRAME AND LID AS SHOWN, THE REINFORCED CONCRETE COVER, EXCAVATION AND FURNISHING AND COMPACTING THE SPECIFIED BACKFILL MATERIAL. ADDITIONALLY IT WILL BE NECESSARY TO MEET ALL OTHER REQUIREMENTS OF SECTION 602 OF THE STANDARD SPECIFICATIONS.
2. FRONT EDGE OF THE TOP SLAB SHALL CONFORM WITH THE RADIUS OF ADJACENT CURB WHERE INLET IS LOCATED WITHIN CURB RETURNS AT INTERSECTIONS.
3. #4 REBARS SHALL BE PLACED HORIZONTALLY AND VERTICALLY AT 12" CENTERS IN WALLS ALL AROUND, WITH 18" X 18" L BARS AT CORNERS.
4. INLIEU OF C BARS, CONTRACTOR MAY DRILL HOLES 6" DEEP IN BOTTOM SLAB TO HOLD VERTICAL #4 REBARS IN THE WALLS.
5. COST OF REINFORCING BARS INCLUDED IN COST OF SPECIFIED INLET.
6. WHEN THE INLET TOP IS NOT CAST IN PLACE TOP SHALL BE PLACED IN FULL BED OF MORTAR.
7. CLASS SI CONCRETE SHALL BE USED THROUGHOUT.

PSBA
 POEPPING, STONE, BACH & ASSOCIATES, INC.
 ARCHITECTS ENGINEERS PLANNERS SURVEYORS
 100 S 54TH ST, P.O. BOX 719 • QUINCY, IL 62306
 WITH OFFICES IN KEOKUK, IOWA & HANNIBAL, MISSOURI
 www.psba.com • PHONE 877-223-4605

REVISIONS	
NAME	DATE

CITY OF QUINCY, ILLINOIS
 N. 5TH STREET BRIDGE
 MISC. DETAIL
 SPECIAL INLETS

SCALE: VERT. _____
 HORIZ. _____

DATE _____ DRAWN BY: DBS
 CHECKED BY: AMW