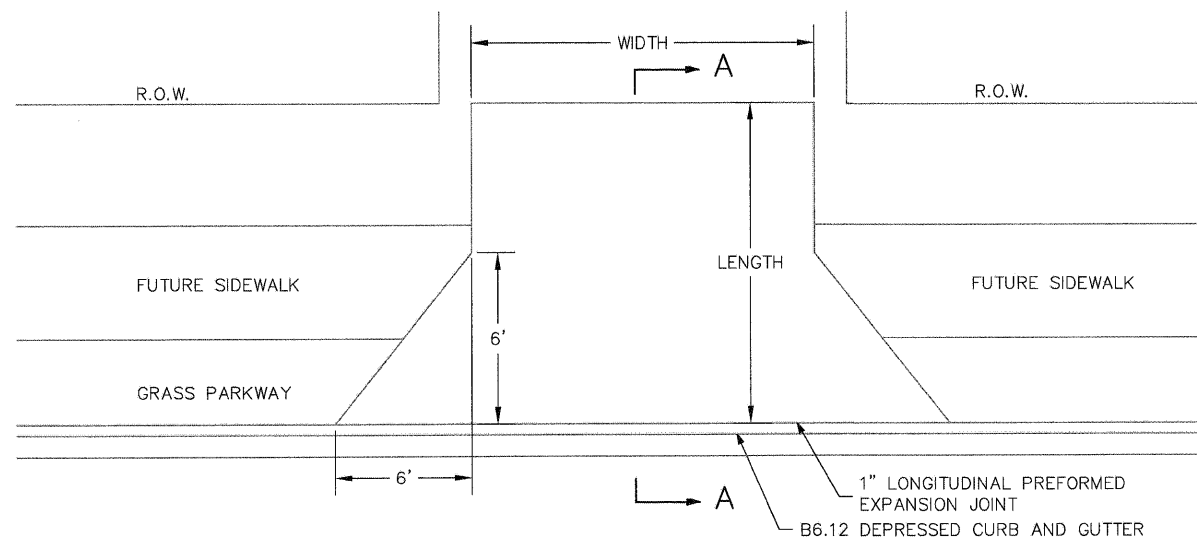
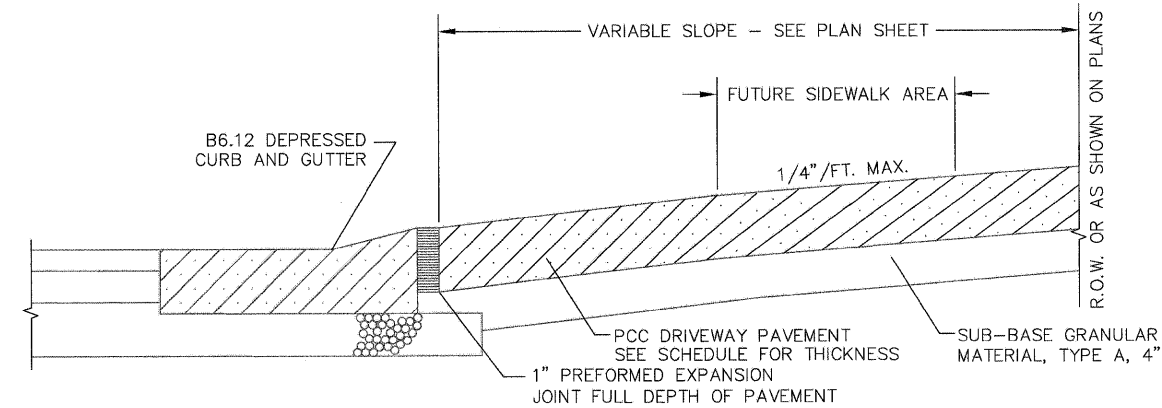


RTE.	SECTION	COUNTY	TOTAL SHEETS	SHEET NO.
N 5TH ST	03-00289-00-BR	ADAMS	90	60
DRIVEWAY, BUTT JOINT, AND STONE RIPRAP DETAILS				
CONTRACT NO. 93542				



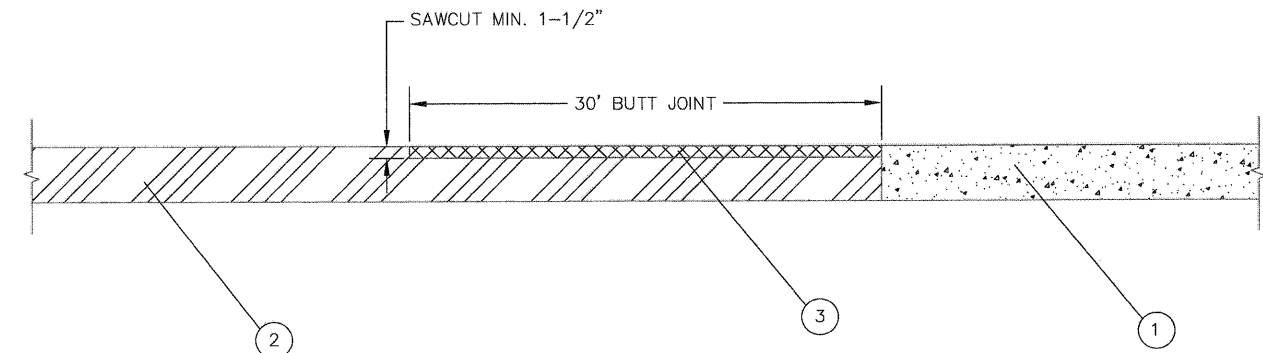
TYPICAL ENTRANCE DETAIL – PE AND CE PCC



SECTION A-A

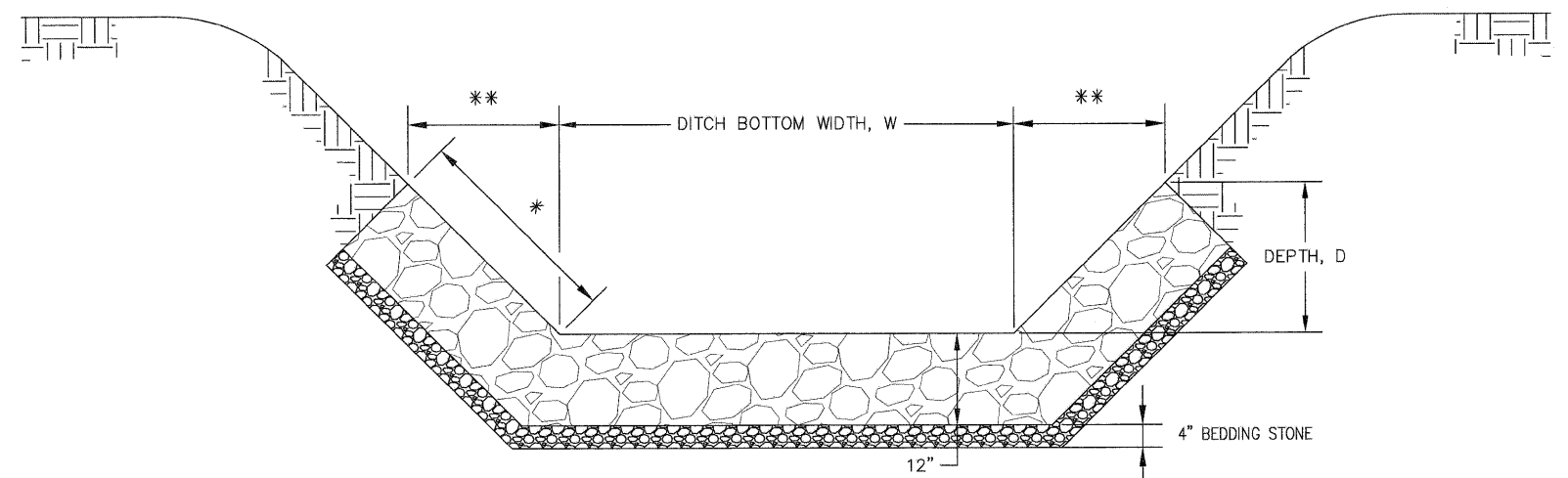
NOTES

1. CLASS PV CONCRETE SHALL BE USED THROUGH-OUT.
2. THE INSTALLATION OF PREFORMED EXPANSION JOINTS WHERE REQUIRED SHALL BE INCLUDED IN THE UNIT PRICE BID FOR P.C.C. DRIVEWAY PAVEMENT.
3. THE UNIT PRICE BID FOR THIS ITEM SHALL INCLUDE THE FURNISHING OF ALL LABOR AND MATERIALS NECESSARY TO CONSTRUCT THE P.C.C. DRIVEWAY PAVEMENT.
4. DRIVEWAY MAY REQUIRE A SLOPE CHANGE AT DETERMINED DISTANCES BEHIND CURB FOR SIDEWALK OR DRAINAGE CORRECTIONS DUE TO EXCESSIVE OR INADEQUATE SLOPE OF STRAIGHT LINE GRADE.
5. COST OF CONSTRUCTING A SLOPE CHANGE IF NECESSARY AND ALL JOINTING SHALL BE INCIDENTAL TO THE COST PER SQUARE YARD OF P.C.C. DRIVEWAY PAVEMENT.
6. REFER TO CROSS SECTIONS FOR DRIVE AND SIDEWALK CROSS SLOPES.
7. REFER TO PLAN AND PROFILE SHEETS FOR DRIVEWAY WIDTHS OR MATCH EXISTING.
8. SAW OR SCRATCH JOINTS IN EACH ENTRANCE SO THAT NO SECTION REMAINS LARGER THAN 12 FEET IN ANY DIMENSION.
9. MAXIMUM WIDTH OF A DRIVEWAY OR ALLEY ENTRANCE AT THE RIGHT-OF-WAY LINE SHALL BE THIRTY (30) FEET UNLESS OTHERWISE NOTED.



1. PROPOSED 8" PCC PAVEMENT
2. EXISTING HOT-MIX ASPHALT PAVEMENT, VARIABLE THICKNESS
3. PROPOSED 1.5" HMA SURFACE COURSE

BUTT JOINT



DETAIL – STONE RIPRAP, CLASS A3

STA. 49+61.0 65.0' LT TO STA. 50+19.0, 40.6' LT
 * = 3.16', ** = 3', W = 4', D = 1'
 STA. 44+13.4 285.7' RT
 * = 6.7', ** = 6', W = 2', D = 3'

PSBA
 POEPPING, STONE, BACH & ASSOCIATES, INC.
 ARCHITECTS ENGINEERS PLANNERS SURVEYORS
 100 S 84TH ST, P.O. BOX 709 • QUINCY, IL 62306
 WITH OFFICES IN IKEOKUK, IOWA & HANNIBAL, MISSOURI
 www.psba.com • PHONE 877-223-4605

REVISIONS	
NAME	DATE

CITY OF QUINCY, ILLINOIS
 N. 5TH STREET BRIDGE
 MISC. DETAIL
 DRIVEWAY, BUTT JOINT &
 STONE RIPRAP
 SCALE: VERT. _____
 HORIZ. _____
 DATE _____
 DRAWN BY: DBS
 CHECKED BY: AMW