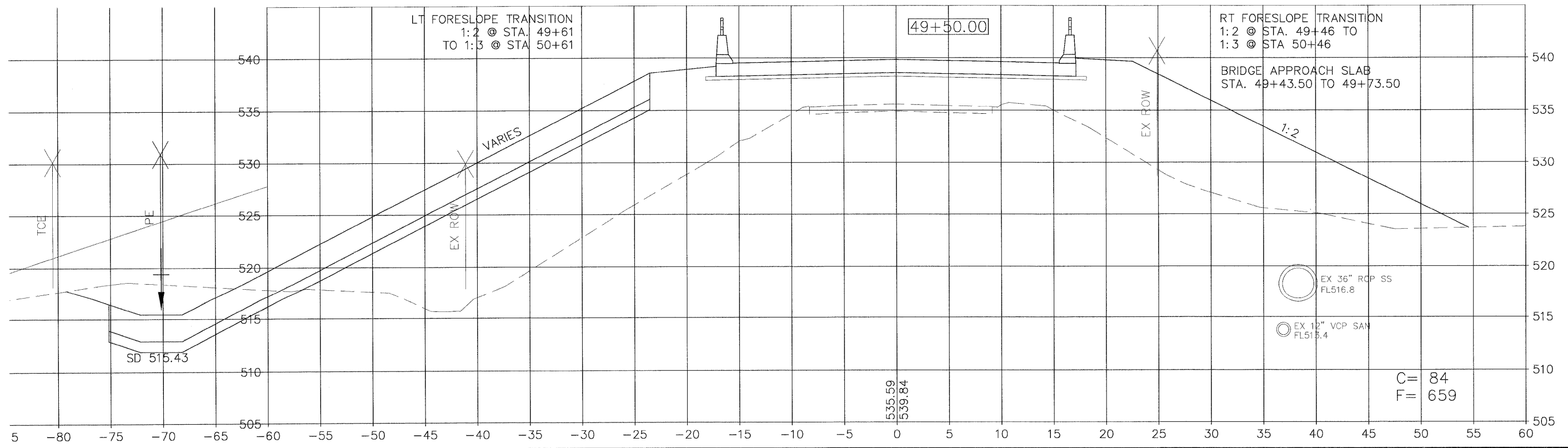
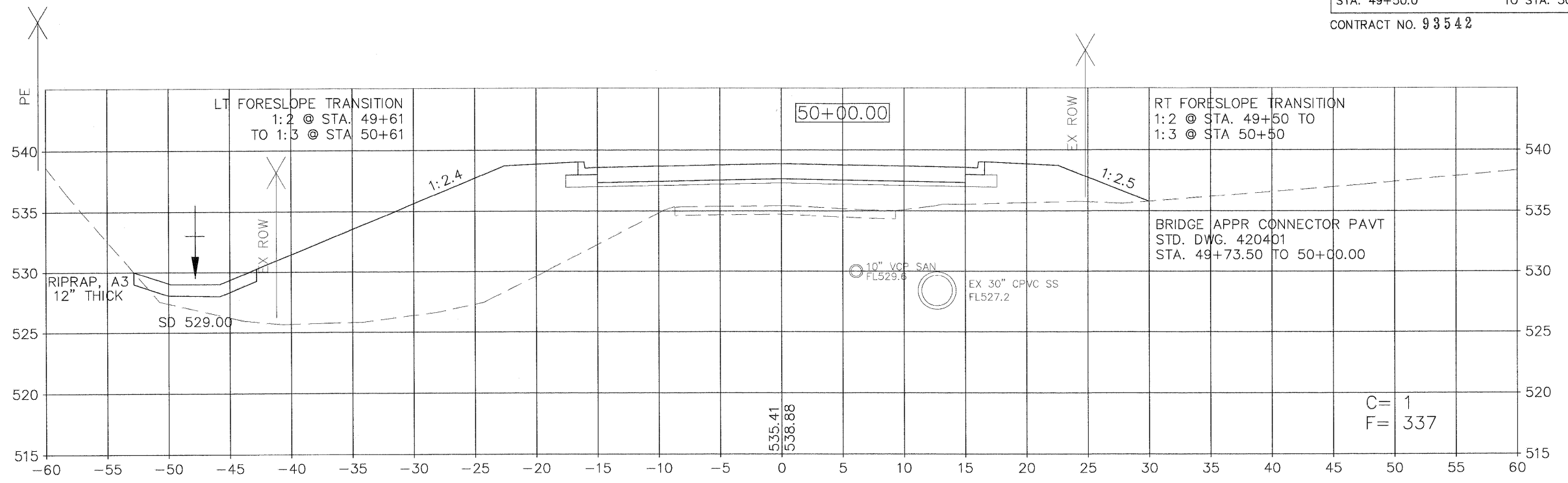


RTE.	SECTION	COUNTY	TOTAL SHEETS	SHEET NO.
N 5TH ST	03-00289-00-BR	ADAMS	90	83
STA. 49+50.0		TO STA. 50+00.0		
CONTRACT NO. 93542				



5th ST CROSS SECTIONS STA 49+50.0 TO STA 50+00.0