

STATE OF ILLINOIS
DEPARTMENT OF TRANSPORTATION

F.A. RTE.	SECTION	COUNTY	TOTAL SHEETS	SHEET NO.
VAR	2020-242-1	VAR	26	1
		ILLINOIS	CONTRACT NO. 62N11	

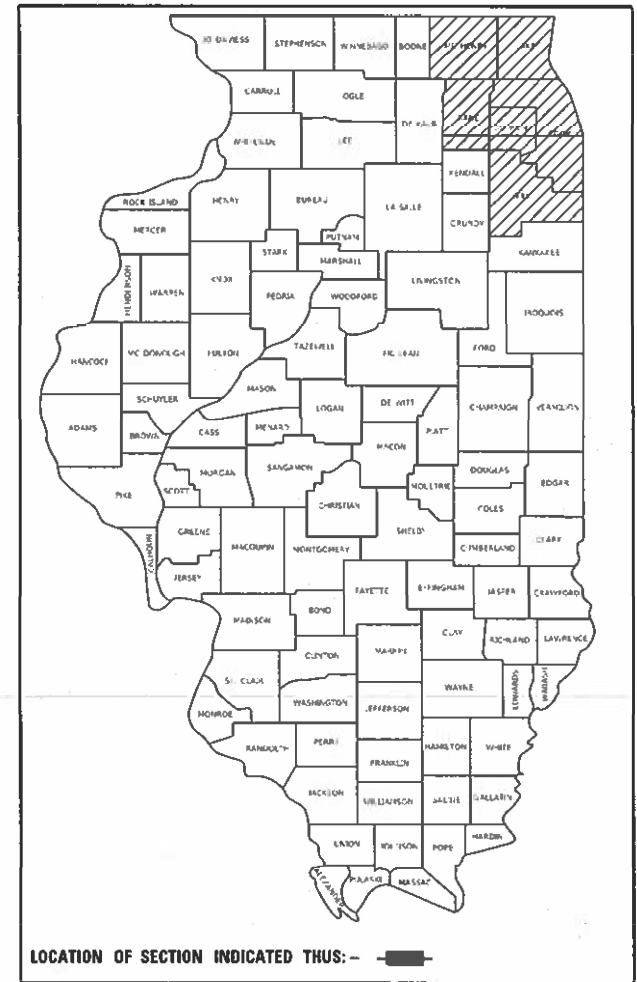
FOR INDEX OF SHEETS, SEE SHEET NO. 2

IMPROVEMENTS ARE AT VARIOUS LOCATIONS WITHIN DISTRICT ONE

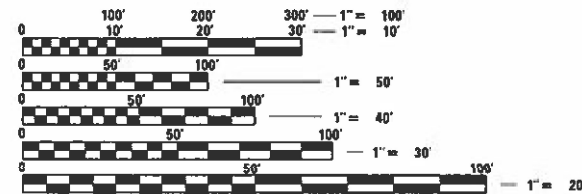
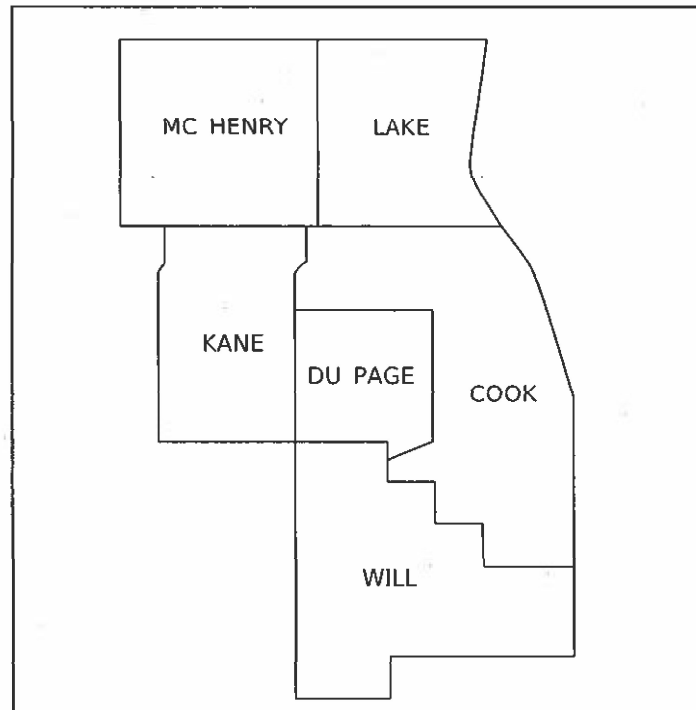
PROPOSED
HIGHWAY PLANS

ROUTE: VARIOUS
SECTION: 2020-242-1
PROJECT: N/A
VEGETATION CONTROL WEED SPRAYING
VARIOUS COUNTIES

D-91-048-21



C-91-048-21



FULL SIZE PLANS HAVE BEEN PREPARED USING STANDARD ENGINEERING SCALES. REDUCED SIZED PLANS WILL NOT CONFORM TO STANDARD SCALES. IN MAKING MEASUREMENTS ON REDUCED PLANS, THE ABOVE SCALES MAY BE USED.

J.U.L.I.E.
JOINT UTILITY LOCATION INFORMATION FOR EXCAVATORS
1-800-892-0123
OR 811

PROJECT ENGINEER: JAMES STUMPNER
PROJECT MANAGER: GIOVANNA ZAFFINA

CONTRACT NO. 62N11

GROSS LENGTH OF IMPROVEMENT = XX.XX FT. = XX.XX MILE
NET LENGTH OF IMPROVEMENT = XX.XX FT. = XX.XX MILE

STATE OF ILLINOIS
DEPARTMENT OF TRANSPORTATION

SUBMITTED February 16, 2021
Gene Rios (CRS)
REGIONAL ENGINEER

February 4, 2022
[Signature]
ENGINEER OF DESIGN AND ENVIRONMENT

February 4, 2022
[Signature]
DIRECTOR OF HIGHWAYS PROJECT IMPLEMENTATION

PRINTED BY THE AUTHORITY
OF THE STATE OF ILLINOIS

INDEX OF SHEETS

- 1) COVER SHEET
- 2) INDEX OF SHEETS, HIGHWAY STANDARDS
- 3) GENERAL NOTES
- 4) SUMMARY OF QUANTITIES
- 5) SAMPLE WORK ORDER
- 6) SPRAY SCHEDULE
- 7-24) SPRAY LOCATION MAP
- 25) TC-10 TRAFFIC CONTROL AND PROTECTION FOR SIDE ROADS, INTERSECTIONS, AND DRIVEWAYS
- 26) TC-17 TRAFFIC CONTROL DETAIL FOR FREEWAY SHOULDER CLOSURES AND PARTIAL RAMP CLOSURES

HIGHWAY STANDARDS

- 701001-02 OFF ROAD OPERATIONS, 2L, 2W, MORE THAN 15' AWAY
- 701006-05 OFF-ROAD OPERATIONS, 2L,2W, 15' TO 24' FROM PAVEMENT EDGE
- 701011-04 OFF-ROAD MOVING OPERATIONS, 2L, 2W, DAY ONLY
- 701106-02 OFF ROAD OPERATIONS, MULTILANE, MORE THAN 15' AWAY
- 701426-09 LANE CLOSURE, MULTI-LANE, INTERMITTANT OR MOVING OPERATION, FOR SPEEDS > 45 MPH
- 701901-08 TRAFFIC CONTROL DEVICES

MODEL: Default
 FILE NAME: \\CURRENT_PROJECTS\Active\1405000 IDOT Landscapes Maintenance\CIS Data\Weed_Spray_62N11_2021\CADD_FILES\IB0_094_Weed_Spray_Contract.dgn

USER NAME = Inlielsen	DESIGNED -	REVISED -	STATE OF ILLINOIS DEPARTMENT OF TRANSPORTATION	SCALE:		SHEET	OF	SHEETS	STA.	TO STA.	F.A. RTE.	SECTION	COUNTY	TOTAL SHEETS	SHEET NO.
PLOT SCALE = 2.00' / in.	CHECKED -	REVISED -										2020-242-1	VAR	26	2
PLOT DATE = 12/23/2021	DATE - 12/23/2021	REVISED -					CONTRACT NO. 62N11			ILLINOIS					

GENERAL NOTES

1. DAN RYAN SPRAY WORK SHALL USE THE WEED CONTROL, TOTAL VEGETATION PAY ITEM.
2. DAN RYAN SPRAY AREAS SHALL INCLUDE CENTER BARRIER WALL (ADDITIONAL COMPENSATION FOR TRAFFIC CONTROL WILL NOT BE INCLUDED).
3. ALL HERBICIDES WATER AND MIXING AGENTS SHALL BE PROVIDED BY THE CONTRACTOR.
4. IDOT WILL PROVIDE ANY ADDITIONAL HERBICIDES THAT MAY BE USED TO TANK MIX WITH EXISTING HERBICIDES AS DETERMINED BY THE ENGINEER.
5. RANDOM SPOT CHECK INSPECTION BY THE ENGINEER WILL OCCUR TO VERIFY WEED CONTROL CALIBRATION RATES.
6. SCHEDULE MAY VARY AS DIRECTED BY THE ENGINEER.
7. THE CONTRACTOR SHALL NOT START WORK BEFORE THE DATES SCHEDULED WITHOUT WRITTEN AUTHORIZATION FROM THE ENGINEER.
8. NO WORK WILL BE ALLOWED DURING ANY LEGAL HOLIDAY.
9. SCHEDULES OF ANTICIPATED START DATES SHOWN ARE TENTATIVE AS DETERMINED BY THE DEPARTMENT'S OPERATIONAL NEEDS.
10. ALL LANE AND SHOULDER CLOSURE REQUESTS SHALL BE SUBMITTED TO THE TRAFFIC OPERATIONS ENGINEER 24 HOURS IN ADVANCE OF REQUESTED CLOSURES PRIOR TO WORKING.
11. THE CONTRACTOR SHALL TAKE ALL NECESSARY SAFETY PRECAUTIONS TO PROTECT AND PROVIDE ACCESS TO ABUTTING PROPERTY, UTILITIES, PEDESTRIANS, AND VEHICULAR TRAFFIC.
12. ALL TRAFFIC SIGNS SHALL HAVE RETROREFLECTIVE SHEETING.
13. ALL VEHICLES INCLUDING PASSENGER CARS, WHETHER OWNED BY THE CONTRACTOR OR ANYONE REPRESENTING THEM, SHALL BE EQUIPPED WITH A YELLOW FLASHING LIGHT MOUNTED EITHER ON TOP OR IN THE REAR WINDOW OF THE VEHICLE AND VISIBLE FOR AT LEAST 500 FEET TO THE REAR OF THE VEHICLE. IN ADDITION, A SIGN MUST BE DISPLAYED ON EACH SIDE OF THE VEHICLE AND WITH LETTERS AT LEAST 3 INCHES IN HEIGHT AND WITH A SUITABLE FONT, SHOWING THE COMPANY NAME. MAGNETIC SIGNS ARE ACCEPTABLE.
14. THE CONTRACTOR SHALL REQUEST AND GAIN THE APPROVAL FROM THE ILLINOIS DEPARTMENT OF TRANSPORTATION'S EXPRESSWAY TRAFFIC OPERATIONS ENGINEER AT WWW.IDOTLCS.COM TWENTY-FOUR (24) HOURS IN ADVANCE OF ALL DAILY LANE, RAMP AND SHOULDER CLOSURES. THIS ADVANCE NOTIFICATION IS CALCULATED BASED ON WORKWEEK OF MONDAY THROUGH FRIDAY AND SHALL NOT INCLUDE WEEKENDS OR HOLIDAYS.

MODEL: Default
 FILE NAME: \\CURRENT_PROJECTS\Active\1405000 IDOT Landscapes Maintenance\CIS Data\Weed Spray_62N11_2021\CADD_FILES\B00_104_Weed_Spray_Contract.dgn

USER NAME = Inlielsen	DESIGNED -	REVISED -	STATE OF ILLINOIS DEPARTMENT OF TRANSPORTATION	SCALE:		SHEET	OF	SHEETS	STA.	TO	STA.	F.A. RTE.	SECTION	COUNTY	TOTAL SHEETS	SHEET NO.
	DRAWN -	REVISED -											2020-242-1	VAR	26	3
PLOT SCALE = 2.00' / in.	CHECKED -	REVISED -											CONTRACT NO. 62N11			
PLOT DATE = 12/23/2021	DATE - 12/23/2021	REVISED -											ILLINOIS			

SUMMARY OF QUANTITIES

**100% STATE
0031
URBAN**

PAY ITEM	DESCRIPTION	UNIT	FORMAL CONTRACT FUND	TOTAL URBAN
67100100	MOBILIZATION	L SUM	1	1
K0029614	WEED CONTROL, AQUATIC	GALLON	100	100
K0029624	WEED CONTROL, TEASEL	GALLON	125	125
X0325896	WEED CONTROL, TOTAL VEGETATION	GALLON	200	200
∅ Z0076604	TRAINEES - TRAINING PROGRAM GRADUATE	HOURS	500	500

MODEL: Default
FILE NAME: N:\CURRENT PROJECTS\ACTIVE\1050000\DOT Landscape Maintenance\GIS Data\Weed Spray 62N11_2021\CADD_FILES\000_084_Weed_Spray_Contract.dgn

USER NAME = Inletsen	DESIGNED -	REVISED -
	DRAWN -	REVISED -
PLOT SCALE = 2.00' / in.	CHECKED -	REVISED -
PLOT DATE = 12/23/2021	DATE = 12/23/2021	REVISED -

**STATE OF ILLINOIS
DEPARTMENT OF TRANSPORTATION**

SCALE: SHEET OF SHEETS STA. TO STA.

F.A. RTE.	SECTION	COUNTY	TOTAL SHEETS	SHEET NO.
	2020-242-1	VAR	26	4
ILLINOIS			CONTRACT NO. 62N11	

∅ 0042



Contract Number: 62N11
 Weed Control Work Order #: _____
 Route: _____

Standard 30-day application	Specialized 10-day spot spray
-----------------------------	-------------------------------

Cook	DuPage	Kane	Work Order Prepared By	Team Section
Lake	McHenry	Will		

Location:

Refer to attached Weed Control maps, which are hereby made a part of this work order (_____ sheets)

WORK INCLUDED IN THIS WORK ORDER			
Item	Est. Map Qty.	Priority Multiplier	Est. Work Order Qty.
Weed Control, Aquatic K0029614	acres gallons		acres gallons
Weed Control, Teasel K0029624	acres gallons		acres gallons
Weed Control, Total Vegetation X0325896	acres gallons		acres gallons

AUTHORIZATION OF WORK ORDER

Resident Engineer/Technician Signature	Date/Time
Contractor Signature (to acknowledge receipt)	Date/Time

APPROVED PERSONNEL (RE USE ONLY)

Name	License Number

CERTIFICATION OF COMPLETION

Contractor Signature	Date/Time
----------------------	-----------

ACCEPTANCE OF COMPLETED WORK

Resident Engineer/Technician Signature	Date/Time
--	-----------

MODEL Path: \\...
 FILE NAME: \\...

USER NAME = Inlielsen	DESIGNED -	REVISED -
PLOT SCALE = 2.00' / in.	DRAWN -	REVISED -
PLOT DATE = 12/23/2021	CHECKED -	REVISED -
	DATE - 12/23/2021	REVISED -

**STATE OF ILLINOIS
DEPARTMENT OF TRANSPORTATION**

SCALE: _____ SHEET OF _____ SHEETS STA. _____ TO STA. _____

F.A. RTE.	SECTION	COUNTY	TOTAL SHEETS	SHEET NO.
	2020-242-1	VAR	26	5
ILLINOIS CONTRACT NO. 62N11				

Weed Spray Schedule

INTERVAL OF TASK	TASK	HERBICIDE
April 15 – June 15	Paved surfaces	Weed Control, Total Vegetation
April 15- June 15	Teasel (Cycle 1)	Weed Control, Teasel
July 1 – Sept. 30	Phragmites Control	Weed Control Aquatic
Sept. 1 – Nov. 15	Paved surfaces	Weed Control, Total Vegetation
Sept. 1 –Nov. 15	Teasel (Cycle 2)	Weed Control, Teasel
As Directed by Engineer	Various Invasive Species	As Directed by Engineer

Weed Spray Locations:

I-90/94 Dan Ryan Expressway from 31st St. to 95th St.

Exclude:
No exclusion areas

ILLINOIS DEPARTMENT OF TRANSPORTATION

MOWING

WEED SPRAY SCHEDULE &
LOCATIONS

MODEL Path: \\... \CURRENT PROJECTS\Active\1405000 IDOT Landscapes Maintenance\CIS Data\Weed Spray_62N11_2021\CADD_FILES\IB0_194_Weed_Spray_Contract.dgn

USER NAME = Inlielsen	DESIGNED -	REVISED -
	DRAWN -	REVISED -
PLOT SCALE = 2.00' / in.	CHECKED -	REVISED -
PLOT DATE = 12/23/2021	DATE - 12/23/2021	REVISED -

**STATE OF ILLINOIS
DEPARTMENT OF TRANSPORTATION**

SCALE: SHEET OF SHEETS STA. TO STA.

F.A. RTE.	SECTION	COUNTY	TOTAL SHEETS	SHEET NO.
	2020-242-1	VAR	26	6
			CONTRACT NO. 62N11	
ILLINOIS				

MODEL Path: \\... \CURRENT PROJECTS\Active\1405000 DOT Landscapes Maintenance\CIS Data\Weed Spray_62N11_2021\CADD_FILES\IB09_094_Weed_Spray_Contract.dgn
 FILE NAME: \\... \CURRENT PROJECTS\Active\1405000 DOT Landscapes Maintenance\CIS Data\Weed Spray_62N11_2021\CADD_FILES\IB09_094_Weed_Spray_Contract.dgn



<p align="center">STATE OF ILLINOIS DEPARTMENT OF TRANSPORTATION</p> <p align="center">POLLINATOR HABITAT LOCATION MAP</p>	<p>0 100 200</p> <p align="center">Feet</p> <p>1 in = 200 feet (when printed at 11" x 17")</p>		<p>STRUCTURES</p> <ul style="list-style-type: none"> Guardrail Noise Abatement Wall Concrete Barrier Wall Other Wall Fence 	<p>STRUCTURES</p> <ul style="list-style-type: none"> Paved Median Vegetated Barrier Median Bridge Underpass 	<p>SPRAY RESTRICTIONS</p> <ul style="list-style-type: none"> Restrictions for INAI and Nature Preserve Sites Restrictions for TE Species Restrictions for Prairie RPBB High Potential Zone
--	--	--	---	--	---

USER NAME = Inlielsen	DESIGNED -	REVISED -
	DRAWN -	REVISED -
PLOT SCALE = 2.00' / in.	CHECKED -	REVISED -
PLOT DATE = 12/23/2021	DATE - 12/23/2021	REVISED -

STATE OF ILLINOIS
DEPARTMENT OF TRANSPORTATION

SCALE:	SHEET	OF	SHEETS	STA.	TO	STA.
--------	-------	----	--------	------	----	------

F.A. RTE.	SECTION	COUNTY	TOTAL SHEETS	SHEET NO.
	2020-242-1	VAR	26	8
ILLINOIS			CONTRACT NO. 62N11	

MODEL Path: \\... \CURRENT PROJECTS\Active\1405500 DOT Landscapes Maintenance\CIS Data\Weed Spray_62N11_2021\CADD_FILES\IB90_94_Weed_Spray_Contract.dgn
 FILE NAME: \\... \CURRENT PROJECTS\Active\1405500 DOT Landscapes Maintenance\CIS Data\Weed Spray_62N11_2021\CADD_FILES\IB90_94_Weed_Spray_Contract.dgn



STATE OF ILLINOIS DEPARTMENT OF TRANSPORTATION POLLINATOR HABITAT LOCATION MAP	0 100 200 Feet 1 in = 200 feet (when printed at 11" x 17")	 NORTH	STRUCTURES — Guardrail - - - Noise Abatement Wall = Concrete Barrier Wall = Other Wall - - - Fence	STRUCTURES Paved Median Vegetated Barrier Median Bridge Underpass	SPRAY RESTRICTIONS Restrictions for INAI and Nature Preserve Sites Restrictions for TE Species Restrictions for Prairie RPBB High Potential Zone
--	--	-----------	--	---	---

USER NAME = Inlielsen	DESIGNED -	REVISED -
	DRAWN -	REVISED -
PLOT SCALE = 2.00' / in.	CHECKED -	REVISED -
PLOT DATE = 12/23/2021	DATE - 12/23/2021	REVISED -

STATE OF ILLINOIS
DEPARTMENT OF TRANSPORTATION

SCALE: SHEET OF SHEETS STA. TO STA.

F.A. RTE.	SECTION	COUNTY	TOTAL SHEETS	SHEET NO.
	2020-242-1	VAR	26	9
ILLINOIS			CONTRACT NO. 62N11	

MODEL Default
 FILE NAME: \\CURRENT PROJECTS\active\1405500 DOT Landscapes Maintenance\CIS Data\Weed_Spray_62N11_2021\CADD_FILES\IB09_IB4_Weed_Spray_Contract.dgn



STATE OF ILLINOIS DEPARTMENT OF TRANSPORTATION POLLINATOR HABITAT LOCATION MAP	0 100 200 Feet 1 in = 200 feet (when printed at 11" x 17")	 DZMGM	STRUCTURES — Guardrail - - - Noise Abatement Wall = Concrete Barrier Wall = Other Wall - - - Fence	STRUCTURES Paved Median Vegetated Barrier Median Bridge Underpass	SPRAY RESTRICTIONS Restrictions for INAI and Nature Preserve Sites Restrictions for TE Species Restrictions for Prairie RPBB High Potential Zone		
--	--	------------------	--	---	---	--	--

USER NAME = Inlielsen	DESIGNED -	REVISED -
	DRAWN -	REVISED -
PLOT SCALE = 2.00' / in.	CHECKED -	REVISED -
PLOT DATE = 12/23/2021	DATE - 12/23/2021	REVISED -

STATE OF ILLINOIS
DEPARTMENT OF TRANSPORTATION

SCALE:	SHEET	OF	SHEETS	STA.	TO	STA.
--------	-------	----	--------	------	----	------

F.A. RTE.	SECTION	COUNTY	TOTAL SHEETS	SHEET NO.
	2020-242-1	VAR	26	10
ILLINOIS			CONTRACT NO. 62N11	

MODEL Path: \\C:\CURRENT\PROJECTS\ACTIVE\1405000\DOT_Landscapes_Maintenance\CIS Data\Weed_Spray_62N11_2021\CADD_FILES\IB09_094_Weed_Spray_Contract.dgn
 FILE NAME: \\C:\CURRENT\PROJECTS\ACTIVE\1405000\DOT_Landscapes_Maintenance\CIS Data\Weed_Spray_62N11_2021\CADD_FILES\IB09_094_Weed_Spray_Contract.dgn



STATE OF ILLINOIS DEPARTMENT OF TRANSPORTATION POLLINATOR HABITAT LOCATION MAP	0 100 200 Feet 1 in = 200 feet (when printed at 11" x 17")		STRUCTURES — Guardrail - - - Noise Abatement Wall = Concrete Barrier Wall = Other Wall - - - Fence	STRUCTURES Paved Median Vegetated Barrier Median Bridge Underpass	SPRAY RESTRICTIONS Restrictions for INAI and Nature Preserve Sites Restrictions for TE Species Restrictions for Prairie RPBB High Potential Zone
--	--	--	--	---	---

USER NAME = Inlielsen	DESIGNED -	REVISED -
	DRAWN -	REVISED -
PLOT SCALE = 2.00' / in.	CHECKED -	REVISED -
PLOT DATE = 12/23/2021	DATE - 12/23/2021	REVISED -

STATE OF ILLINOIS
DEPARTMENT OF TRANSPORTATION

SCALE:	SHEET	OF	SHEETS	STA.	TO	STA.
--------	-------	----	--------	------	----	------

F.A. RTE.	SECTION	COUNTY	TOTAL SHEETS	SHEET NO.
	2020-242-1	VAR	26	11
ILLINOIS			CONTRACT NO. 62N11	

MODEL: Default
 FILE NAME: \\CURRENT PROJECTS\active\1405000 DOT Landscapes Maintenance\CIS Data\Weed Spray_62N11_2021\CADD_FILES\IB00_IB4_Weed_Spray_Contract.dgn



STATE OF ILLINOIS DEPARTMENT OF TRANSPORTATION POLLINATOR HABITAT LOCATION MAP	0 100 200 Feet 1 in = 200 feet (when printed at 11" x 17")	 DNZ	STRUCTURES — Guardrail - - - Noise Abatement Wall = Concrete Barrier Wall = Other Wall - - - Fence	STRUCTURES Paved Median Vegetated Barrier Median Bridge Underpass	SPRAY RESTRICTIONS Restrictions for INAI and Nature Preserve Sites Restrictions for TE Species Restrictions for Prairie RPBB High Potential Zone
--	---	----------------	--	---	---

USER NAME = Inlielsen	DESIGNED -	REVISED -
	DRAWN -	REVISED -
PLOT SCALE = 2.00' / 1 in.	CHECKED -	REVISED -
PLOT DATE = 12/23/2021	DATE - 12/23/2021	REVISED -

STATE OF ILLINOIS
DEPARTMENT OF TRANSPORTATION

SCALE:	SHEET	OF	SHEETS	STA.	TO	STA.
--------	-------	----	--------	------	----	------

F.A. RTE.	SECTION	COUNTY	TOTAL SHEETS	SHEET NO.
	2020-242-1	VAR	26	12
ILLINOIS			CONTRACT NO. 62N11	

MODEL Path: \\... \CURRENT PROJECTS\Active\1405000 DOT Landscapes Maintenance\CIS Data\Weed Spray_62N11_2021\CADD_FILES\IB09_194_Weed_Spray_Contract.dgn



<p>STATE OF ILLINOIS DEPARTMENT OF TRANSPORTATION</p> <p>POLLINATOR HABITAT LOCATION MAP</p>	<p>0 100 200</p> <p>Feet</p> <p>1 in = 200 feet (when printed at 11" x 17")</p>		<p>STRUCTURES</p> <ul style="list-style-type: none"> — Guardrail - - - Noise Abatement Wall — Concrete Barrier Wall - - - Other Wall - - - Fence 	<p>STRUCTURES</p> <ul style="list-style-type: none"> ■ Paved Median ▣ Vegetated Barrier Median ▤ Bridge Underpass 	<p>SPRAY RESTRICTIONS</p> <ul style="list-style-type: none"> ▬ Restrictions for INAI and Nature Preserve Sites ▬ Restrictions for TE Species ▬ Restrictions for Prairie ▣ RPBB High Potential Zone

USER NAME = Inlielsen	DESIGNED -	REVISED -
	DRAWN -	REVISED -
PLOT SCALE = 2.00' / in.	CHECKED -	REVISED -
PLOT DATE = 12/23/2021	DATE - 12/23/2021	REVISED -

STATE OF ILLINOIS
DEPARTMENT OF TRANSPORTATION

SCALE:	SHEET	OF	SHEETS	STA.	TO	STA.
--------	-------	----	--------	------	----	------

F.A. RTE.	SECTION	COUNTY	TOTAL SHEETS	SHEET NO.
	2020-242-1	VAR	26	13
ILLINOIS CONTRACT NO. 62N11				

MODEL Path: \\dot\current\projects\active\1405500\DOT_Landscapes_Maintenance\CIS_Drain\Weed_Spray_62N11_2021\CADD_FILES\IB09_IB4_Weed_Spray_Contract.dgn
 FILE NAME: \\current\projects\active\1405500\DOT_Landscapes_Maintenance\CIS_Drain\Weed_Spray_62N11_2021\CADD_FILES\IB09_IB4_Weed_Spray_Contract.dgn



STATE OF ILLINOIS DEPARTMENT OF TRANSPORTATION POLLINATOR HABITAT LOCATION MAP	0 100 200 Feet 1 in = 200 feet (when printed at 11" x 17")	 DZM	STRUCTURES — Guardrail - - - Noise Abatement Wall — Concrete Barrier Wall — Other Wall - - - Fence	STRUCTURES Paved Median Vegetated Barrier Median Bridge Underpass	SPRAY RESTRICTIONS Restrictions for INAI and Nature Preserve Sites Restrictions for TE Species Restrictions for Prairie RPBB High Potential Zone
--	--	----------------	--	---	---

USER NAME = Inlielsen	DESIGNED -	REVISED -
	DRAWN -	REVISED -
PLOT SCALE = 2.00' / in.	CHECKED -	REVISED -
PLOT DATE = 12/23/2021	DATE - 12/23/2021	REVISED -

STATE OF ILLINOIS
DEPARTMENT OF TRANSPORTATION

SCALE:	SHEET	OF	SHEETS	STA.	TO	STA.
--------	-------	----	--------	------	----	------

F.A. RTE.	SECTION	COUNTY	TOTAL SHEETS	SHEET NO.
	2020-242-1	VAR	26	14
ILLINOIS			CONTRACT NO. 62N11	

MODEL: Default
 FILE NAME: \\CURRENT PROJECTS\active\1405500 DOT Landscapes Maintenance\CIS Data\Weed Spray_62N11_2021\CADD_FILES\IB0_104_Weed_Spray_Contract.dgn



STATE OF ILLINOIS DEPARTMENT OF TRANSPORTATION POLLINATOR HABITAT LOCATION MAP	0 100 200 Feet 1 in = 200 feet (when printed at 11" x 17")		STRUCTURES — Guardrail - - - Noise Abatement Wall = Concrete Barrier Wall - - - Other Wall - - - Fence	STRUCTURES Paved Median Vegetated Barrier Median Bridge Underpass	SPRAY RESTRICTIONS Restrictions for INAI and Nature Preserve Sites Restrictions for TE Species Restrictions for Prairie RPBB High Potential Zone		
--	--	--	--	---	---	--	--

USER NAME = Inlielsen	DESIGNED -	REVISED -
	DRAWN -	REVISED -
PLOT SCALE = 2.00' / in.	CHECKED -	REVISED -
PLOT DATE = 12/23/2021	DATE - 12/23/2021	REVISED -

STATE OF ILLINOIS
DEPARTMENT OF TRANSPORTATION

SCALE:	SHEET	OF	SHEETS	STA.	TO	STA.
--------	-------	----	--------	------	----	------

F.A. RTE.	SECTION	COUNTY	TOTAL SHEETS	SHEET NO.
	2020-242-1	VAR	26	15
ILLINOIS			CONTRACT NO. 62N11	

MODEL Default
 FILE NAME: \\CURRENT PROJECTS\active\1405500 DOT Landscapes Maintenance\CIS Data\Weed Spray 62N11_2021\CADD_FILES\IB09_094_Weed_Spray_Contract.dgn



STATE OF ILLINOIS DEPARTMENT OF TRANSPORTATION POLLINATOR HABITAT LOCATION MAP	0 100 200 Feet 1 in = 200 feet (when printed at 11" x 17")	 DZM	STRUCTURES — Guardrail - - - Noise Abatement Wall = Concrete Barrier Wall = Other Wall - - - Fence	STRUCTURES Paved Median Vegetated Barrier Median Bridge Underpass	SPRAY RESTRICTIONS Restrictions for INAI and Nature Preserve Sites Restrictions for TE Species Restrictions for Prairie RPBB High Potential Zone
--	--	----------------	--	---	---

USER NAME = Inlielsen	DESIGNED -	REVISED -
	DRAWN -	REVISED -
PLOT SCALE = 2.00' / in.	CHECKED -	REVISED -
PLOT DATE = 12/23/2021	DATE - 12/23/2021	REVISED -

STATE OF ILLINOIS
DEPARTMENT OF TRANSPORTATION

SCALE:	SHEET	OF	SHEETS	STA.	TO	STA.
ILLINOIS						
			F.A. RTE.	SECTION	COUNTY	TOTAL SHEETS
			2020-242-1	VAR	26	SHEET NO. 16
CONTRACT NO. 62N11						

MODEL: Default
 FILE NAME: \\CURRENT PROJECTS\active\1405500 DOT Landscapes Maintenance\CIS Data\Weed Spray_62N11_2021\CADD_FILES\BIB09_194_Weed_Spray_Contract.dgn



STATE OF ILLINOIS DEPARTMENT OF TRANSPORTATION POLLINATOR HABITAT LOCATION MAP	0 100 200 Feet 1 in = 200 feet (when printed at 11" x 17")	 DZM	STRUCTURES — Guardrail - - - Noise Abatement Wall = Concrete Barrier Wall = Other Wall - - - Fence	STRUCTURES Paved Median Vegetated Barrier Median Bridge Underpass	SPRAY RESTRICTIONS Restrictions for INAI and Nature Preserve Sites Restrictions for TE Species Restrictions for Prairie RPBB High Potential Zone
--	--	----------------	--	---	---

USER NAME = Inlielsen	DESIGNED -	REVISED -
	DRAWN -	REVISED -
PLOT SCALE = 2.00' / in.	CHECKED -	REVISED -
PLOT DATE = 12/23/2021	DATE - 12/23/2021	REVISED -

STATE OF ILLINOIS
DEPARTMENT OF TRANSPORTATION

SCALE:	SHEET	OF	SHEETS	STA.	TO	STA.
--------	-------	----	--------	------	----	------

F.A. RTE.	SECTION	COUNTY	TOTAL SHEETS	SHEET NO.
	2020-242-1	VAR	26	17
ILLINOIS CONTRACT NO. 62N11				

MODEL Default
 FILE NAME: \\CURRENT PROJECTS\active\1405500 DOT Landscapes Maintenance\CIS Data\Weed Spray_62N11_2021\CADD_FILES\IB09_194_Weed_Spray_Contract.dgn



STATE OF ILLINOIS DEPARTMENT OF TRANSPORTATION POLLINATOR HABITAT LOCATION MAP	0 100 200 Feet 1 in = 200 feet (when printed at 11" x 17")	 DZMGM	STRUCTURES — Guardrail - - - Noise Abatement Wall — Concrete Barrier Wall — Other Wall - - - Fence	STRUCTURES Paved Median Vegetated Barrier Median Bridge Underpass	SPRAY RESTRICTIONS Restrictions for INAI and Nature Preserve Sites Restrictions for TE Species Restrictions for Prairie RPBB High Potential Zone
--	--	------------------	--	---	---

USER NAME = Inlielsen	DESIGNED -	REVISED -
	DRAWN -	REVISED -
PLOT SCALE = 2.00' / in.	CHECKED -	REVISED -
PLOT DATE = 12/23/2021	DATE = 12/23/2021	REVISED -

STATE OF ILLINOIS
DEPARTMENT OF TRANSPORTATION

SCALE:	SHEET	OF	SHEETS	STA.	TO STA.
--------	-------	----	--------	------	---------

F.A. RTE.	SECTION	COUNTY	TOTAL SHEETS	SHEET NO.
	2020-242-1	VAR	26	18
CONTRACT NO. 62N11				

MODEL Default
 FILE NAME: \\CURRENT PROJECTS\active\1405500 DOT Landscapes Maintenance\CIS Data\Weed Spray_62N11_2021\CADD_FILES\IB00_IB4_Weed_Spray_Contract.dgn



STATE OF ILLINOIS DEPARTMENT OF TRANSPORTATION POLLINATOR HABITAT LOCATION MAP	0 100 200 Feet 1 in = 200 feet (when printed at 11" x 17")	 DZM	STRUCTURES — Guardrail - - - Noise Abatement Wall — Concrete Barrier Wall — Other Wall - - - Fence	STRUCTURES Paved Median Vegetated Barrier Median Bridge Underpass	SPRAY RESTRICTIONS Restrictions for INAI and Nature Preserve Sites Restrictions for TE Species Restrictions for Prairie RPBB High Potential Zone
--	--	----------------	--	---	---

USER NAME = Inlielsen	DESIGNED -	REVISED -
	DRAWN -	REVISED -
PLOT SCALE = 2.00' / in.	CHECKED -	REVISED -
PLOT DATE = 12/23/2021	DATE - 12/23/2021	REVISED -

STATE OF ILLINOIS
DEPARTMENT OF TRANSPORTATION

SCALE:	SHEET	OF	SHEETS	STA.	TO	STA.
ILLINOIS						
			SECTION	COUNTY	TOTAL SHEETS	SHEET NO.
			2020-242-1	VAR	26	19
CONTRACT NO. 62N11						

MODEL Default
 FILE NAME: \\CURRENT PROJECTS\active\1405000 DOT Landscapes Maintenance\CIS Data\Weed Spray_62N11_2021\CADD_FILES\IB09_IB4_Weed_Spray_Contract.dgn



STATE OF ILLINOIS DEPARTMENT OF TRANSPORTATION POLLINATOR HABITAT LOCATION MAP	0 100 200 Feet 1 in = 200 feet (when printed at 11" x 17")	 DZM	STRUCTURES — Guardrail - - - Noise Abatement Wall = Concrete Barrier Wall = Other Wall - - - Fence	STRUCTURES Paved Median Vegetated Barrier Median Bridge Underpass	SPRAY RESTRICTIONS Restrictions for INAI and Nature Preserve Sites Restrictions for TE Species Restrictions for Prairie RPBB High Potential Zone	
--	--	----------------	--	---	---	--

USER NAME = Inlielsen	DESIGNED -	REVISED -
	DRAWN -	REVISED -
PLOT SCALE = 2.00' / in.	CHECKED -	REVISED -
PLOT DATE = 12/23/2021	DATE - 12/23/2021	REVISED -

STATE OF ILLINOIS
DEPARTMENT OF TRANSPORTATION

SCALE:	SHEET	OF	SHEETS	STA.	TO STA.
--------	-------	----	--------	------	---------

F.A. RTE.	SECTION	COUNTY	TOTAL SHEETS	SHEET NO.
	2020-242-1	VAR	26	20
ILLINOIS				
CONTRACT NO. 62N11				

MODEL Default
 FILE NAME: \\CURRENT PROJECTS\active\1405000 DOT Landscapes Maintenance\CIS Data\Weed Spray_62N11_2021\CADD_FILES\IB09_094_Weed_Spray_Contract.dgn



STATE OF ILLINOIS DEPARTMENT OF TRANSPORTATION POLLINATOR HABITAT LOCATION MAP	0 100 200 Feet 1 in = 200 feet (when printed at 11" x 17")	 DZM	STRUCTURES — Guardrail - - - Noise Abatement Wall = Concrete Barrier Wall = Other Wall - - - Fence	STRUCTURES Paved Median Vegetated Barrier Median Bridge Underpass	SPRAY RESTRICTIONS Restrictions for INAI and Nature Preserve Sites Restrictions for TE Species Restrictions for Prairie RPBB High Potential Zone		
--	---	----------------	--	---	---	--	--

USER NAME = Inlielsen	DESIGNED -	REVISED -	
	DRAWN -	REVISED -	
PLOT SCALE = 2.00' / in.	CHECKED -	REVISED -	
PLOT DATE = 12/23/2021	DATE - 12/23/2021	REVISED -	

STATE OF ILLINOIS
DEPARTMENT OF TRANSPORTATION

SCALE:	SHEET	OF	SHEETS	STA.	TO STA.
--------	-------	----	--------	------	---------

F.A. RTE.	SECTION	COUNTY	TOTAL SHEETS	SHEET NO.
	2020-242-1	VAR	26	21
ILLINOIS CONTRACT NO. 62N11				

MODEL: Default
 FILE NAME: \\CURRENT PROJECTS\active\1405000 DOT Landscapes Maintenance\CIS Data\Weed Spray_62N11_2021\CADD_FILES\IB00_IB4_Weed_Spray_Contract.dgn



<p>STATE OF ILLINOIS DEPARTMENT OF TRANSPORTATION</p> <p>POLLINATOR HABITAT LOCATION MAP</p>	<p>0 100 200</p> <p>Feet</p> <p>1 in = 200 feet (when printed at 11" x 17")</p>		<p>STRUCTURES</p> <ul style="list-style-type: none"> Guardrail Noise Abatement Wall Concrete Barrier Wall Other Wall Fence 	<p>STRUCTURES</p> <ul style="list-style-type: none"> Paved Median Vegetated Barrier Median Bridge Underpass 	<p>SPRAY RESTRICTIONS</p> <ul style="list-style-type: none"> Restrictions for INAI and Nature Preserve Sites Restrictions for TE Species Restrictions for Prairie RPBB High Potential Zone
--	---	--	---	--	---

USER NAME = Inlielsen	DESIGNED -	REVISED -
	DRAWN -	REVISED -
PLOT SCALE = 2.00' / in.	CHECKED -	REVISED -
PLOT DATE = 12/23/2021	DATE - 12/23/2021	REVISED -

STATE OF ILLINOIS
DEPARTMENT OF TRANSPORTATION

SCALE:	SHEET	OF	SHEETS	STA.	TO	STA.
--------	-------	----	--------	------	----	------

F.A. RTE.	SECTION	COUNTY	TOTAL SHEETS	SHEET NO.
	2020-242-1	VAR	26	22
ILLINOIS			CONTRACT NO. 62N11	

MODEL Path: \\CURRENT PROJECTS\active\1405500 DOT Landscapes Maintenance\CIS Data\Weed Spray 62N11_2021\CADD_FILES\IB0_104_Weed_Spray_Contract.dgn
 FILE NAME: \\CURRENT PROJECTS\active\1405500 DOT Landscapes Maintenance\CIS Data\Weed Spray 62N11_2021\CADD_FILES\IB0_104_Weed_Spray_Contract.dgn



STATE OF ILLINOIS DEPARTMENT OF TRANSPORTATION POLLINATOR HABITAT LOCATION MAP	0 100 200 Feet 1 in = 200 feet (when printed at 11" x 17")		STRUCTURES — Guardrail - - - Noise Abatement Wall = Concrete Barrier Wall - - - Other Wall - - - Fence	STRUCTURES Paved Median Vegetated Barrier Median Bridge Underpass	SPRAY RESTRICTIONS Restrictions for INAI and Nature Preserve Sites Restrictions for TE Species Restrictions for Prairie RPBB High Potential Zone
--	--	--	--	---	---

USER NAME = Inlielsen	DESIGNED -	REVISED -
	DRAWN -	REVISED -
PLOT SCALE = 2.00' / 1 in.	CHECKED -	REVISED -
PLOT DATE = 12/23/2021	DATE - 12/23/2021	REVISED -

STATE OF ILLINOIS
DEPARTMENT OF TRANSPORTATION

SCALE:	SHEET	OF	SHEETS	STA.	TO	STA.
--------	-------	----	--------	------	----	------

F.A. RTE.	SECTION	COUNTY	TOTAL SHEETS	SHEET NO.
	2020-242-1	VAR	26	23
ILLINOIS CONTRACT NO. 62N11				

MODEL Path: \\current\projects\active\1405000 DOT Landscapes Maintenance\CIS Data\Weed Spray_62N11_2021\CADD_FILES\BIB09_104_Weed_Spray_Contract.dgn
 FILE NAME: \\current\projects\active\1405000 DOT Landscapes Maintenance\CIS Data\Weed Spray_62N11_2021\CADD_FILES\BIB09_104_Weed_Spray_Contract.dgn



STATE OF ILLINOIS DEPARTMENT OF TRANSPORTATION POLLINATOR HABITAT LOCATION MAP	0 100 200 Feet 1 in = 200 feet (when printed at 11" x 17")		STRUCTURES — Guardrail - - - Noise Abatement Wall = Concrete Barrier Wall = Other Wall - - - Fence	STRUCTURES Paved Median Vegetated Barrier Median Bridge Underpass	SPRAY RESTRICTIONS Restrictions for INAI and Nature Preserve Sites Restrictions for TE Species Restrictions for Prairie RPBB High Potential Zone
--	--	--	--	---	---

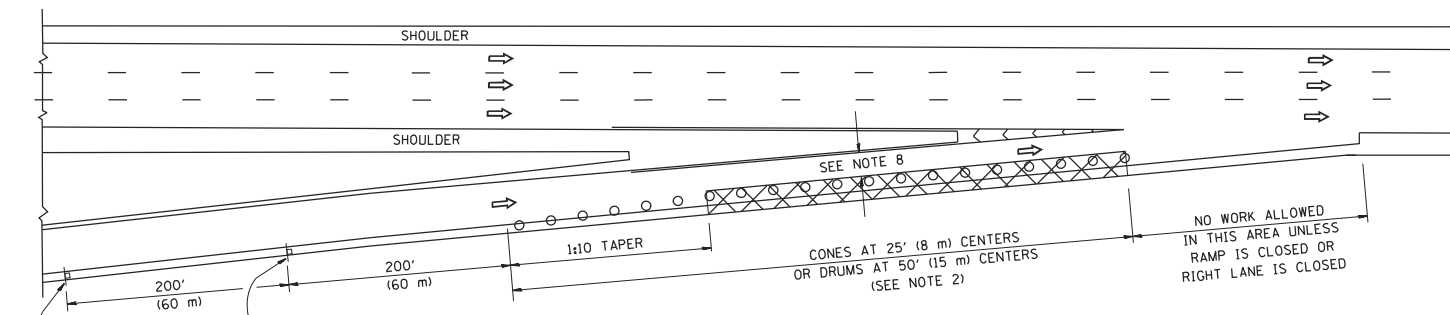
USER NAME = Inlielsen	DESIGNED -	REVISED -
	DRAWN -	REVISED -
PLOT SCALE = 2.00' / in.	CHECKED -	REVISED -
PLOT DATE = 12/23/2021	DATE - 12/23/2021	REVISED -

STATE OF ILLINOIS
DEPARTMENT OF TRANSPORTATION

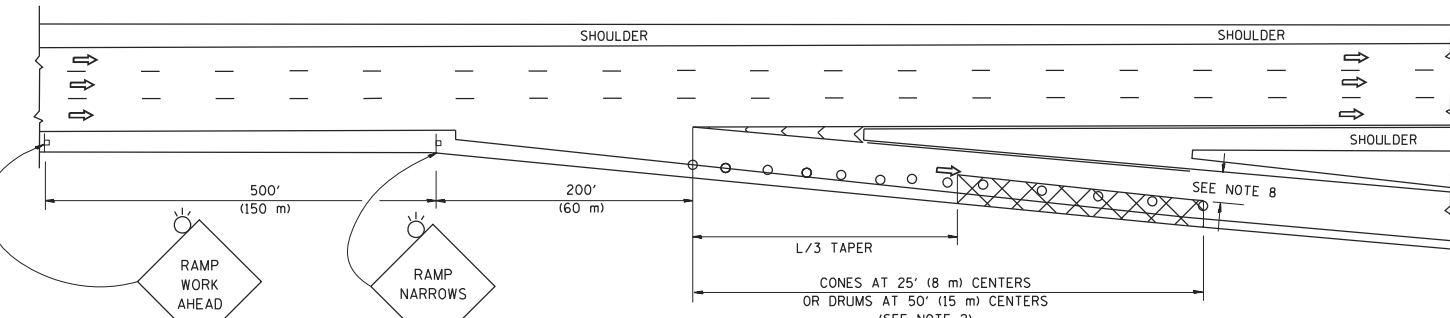
SCALE:	SHEET	OF	SHEETS	STA.	TO	STA.
--------	-------	----	--------	------	----	------

F.A. RTE.	SECTION	COUNTY	TOTAL SHEETS	SHEET NO.
	2020-242-1	VAR	26	24
ILLINOIS			CONTRACT NO. 62N11	

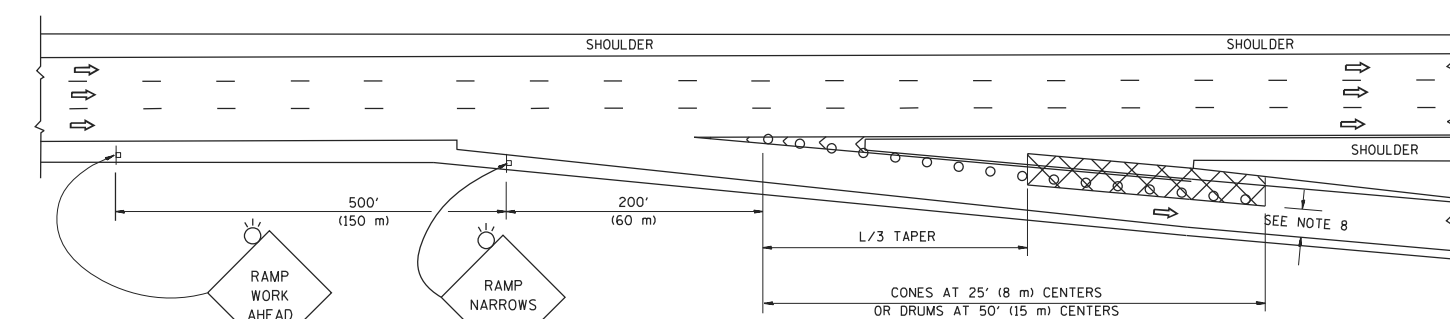
PARTIAL RAMP CLOSURE DETAILS



TYPICAL ENTRANCE RAMP



TYPICAL EXIT RAMP



TYPICAL EXIT RAMP

SYMBOLS

- ACTIVE WORK AREA
- SIGN ON PORTABLE OR PERMANENT SUPPORT
- FLAGGER WITH CONTROL SIGN
- TYPE II BARRICADE OR DRUM
- CONE, DRUM OR BARRICADE
- IMPACT ATTENUATOR OF TYPE AND TEST LEVEL SPECIFIED

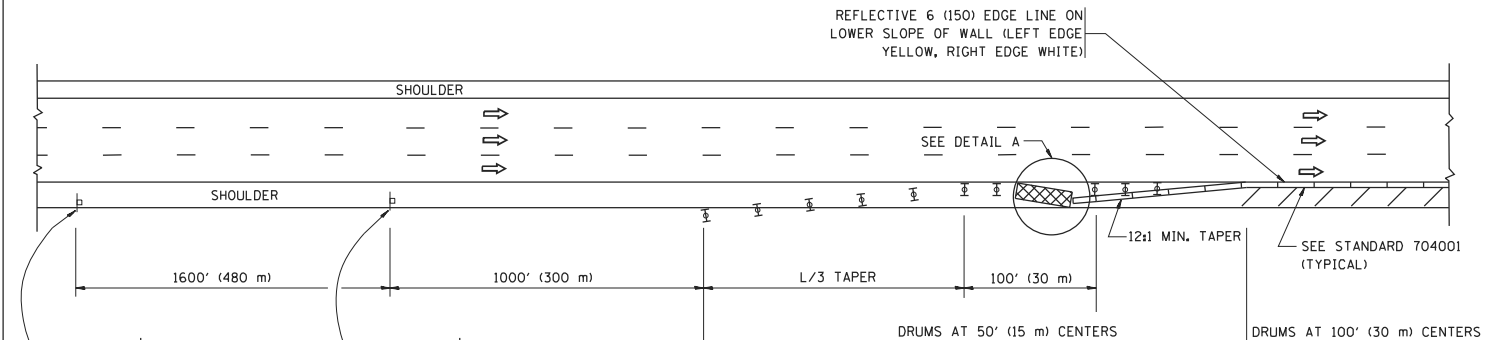
GENERAL NOTES

1. THE "L" DISTANCE EQUALS:

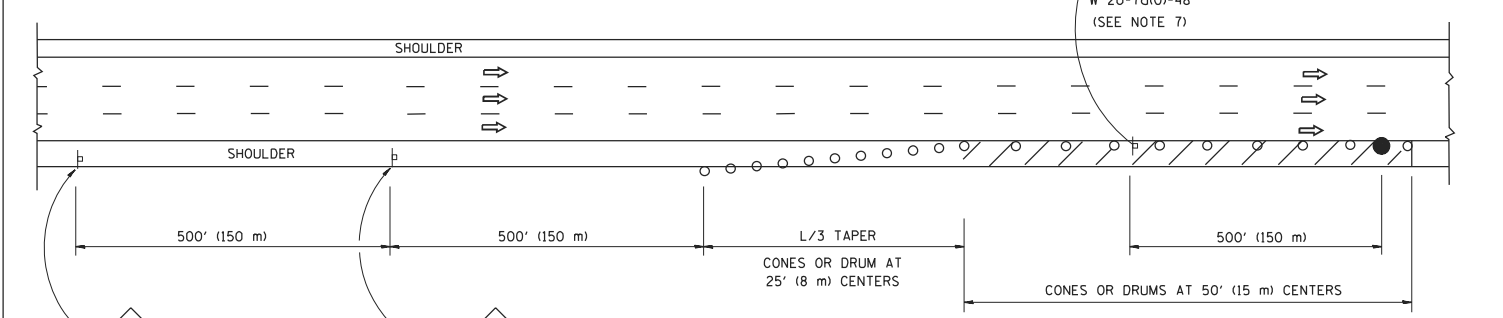
SPEED LIMIT	FORMULAS
45 mph (80 km/h)	METRIC ENGLISH
OR GREATER:	$L=0.65(W)(S)$ $L=(W)(S)$

W = WIDTH OF OFFSET IN FEET (METERS)
 S = NORMAL POSTED SPEED MPH (KM/H)
2. TYPE II BARRICADES OR DRUMS ARE REQUIRED FOR ALL NIGHTTIME CLOSURES. TYPE II BARRICADES OR DRUMS WITH MONODIRECTIONAL STEADY BURN LIGHTS ARE REQUIRED FOR DELINEATING OBSTACLES, EXCAVATIONS, OR HAZARDS EXCEEDING 100 FT (30m) IN LENGTH AT NIGHT.
3. ALL SIGNS SHALL BE POST MOUNTED IF THE CLOSURE TIME EXCEEDS FOUR DAYS.
4. FLASHING LIGHTS SHALL BE USED DURING THE HOURS OF DARKNESS AND SHALL BE INSTALLED ABOVE THE FIRST TWO SETS OF SIGNS.
5. THE IMPACT ATTENUATOR, TEMPORARY IS NOT REQUIRED WHEN THE TEMPORARY CONCRETE BARRIER WALL IS PROTECTED BY OR IS TIED INTO THE EXISTING GUARDRAIL. IF OFFSET IS LESS THAN 5 FEET USE NARROW USE TYPE DEVICE TO MEET NCHRP350/MASH.
6. AUTHORIZATION FROM THE DISTRICT'S BUREAU OF TRAFFIC IS REQUIRED FOR ALL FREEWAY CLOSURES.
7. THE FLAGGER AND FLAGGER SIGN ARE REQUIRED AT THE ABOVE WORK SITES WHEN:
 - a. FOUR OR MORE WORK VEHICLES ENTER THE TRAFFIC LANES IN A ONE HOUR PERIOD.
 - b. THE WORK ACTIVITY REQUIRES FREQUENT ENCROACHMENT INTO THE LANE OPEN TO TRAFFIC.
 THE FLAGGER SHALL BE STATIONED APPROXIMATELY 100' (30 m) TO 200' (60 m) IN ADVANCE OF THE WORKERS.
8. 12' MIN. WIDTH TANGENT SECTION
 16' MIN. WIDTH CURVE SECTION.

SHOULDER CLOSURE DETAILS

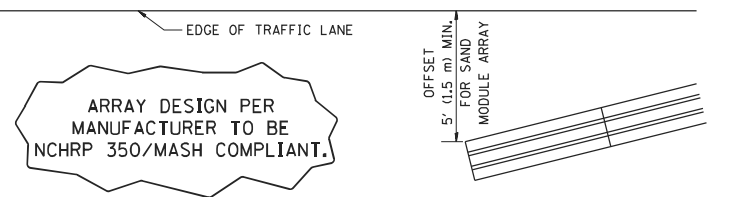


PERMANENT SHOULDER CLOSURE



DAYTIME SHOULDER CLOSURE

THIS DETAIL IS USED WHERE:
 1. VEHICLES, EQUIPMENT, WORKERS OR THEIR ACTIVITIES ENCROACH IN AN AREA CLOSER THAN 15' (4.5 m) TO THE EDGE OF PAVEMENT FOR A PERIOD IN EXCESS OF 15 MINUTES.



ARRAY DESIGN PER MANUFACTURER TO BE NCHRP 350/MASH COMPLIANT.

DETAIL "A"
 IMPACT ATTENUATOR, TEMPORARY
 (SEE NOTE 5)

ALL DIMENSIONS ARE IN INCHES (MILLIMETERS) UNLESS OTHERWISE SHOWN.

FILE NAME =	USER NAME = footemj	DESIGNED -	REVISED - S.P.B. 01-07
pw:\IL084EBIDINTEG\illinois.gov\PIDOT\Documents\IDOT Offices\District 1\Projects\Dist 1\CD\Drawings\TC-17.dgn		CHECKED -	REVISED - S.P.B. 12-09
Default	PLOT SCALE = 50.0000' / in.	DATE -	REVISED - M.D. 06-13
	PLOT DATE = 11/27/2017		REVISED - M.D. 01-18

STATE OF ILLINOIS
 DEPARTMENT OF TRANSPORTATION

TRAFFIC CONTROL DETAILS FOR FREEWAY
 SHOULDER CLOSURES AND PARTIAL RAMP CLOSURES

SCALE: NONE SHEET 1 OF 1 SHEETS STA. TO STA.

F.A. RTE.	SECTION	COUNTY	TOTAL SHEETS	SHEET NO.
	2020-242-I	VAR	26	26
	TC-17	CONTRACT NO. 62N11		
ILLINOIS FED. AID PROJECT				