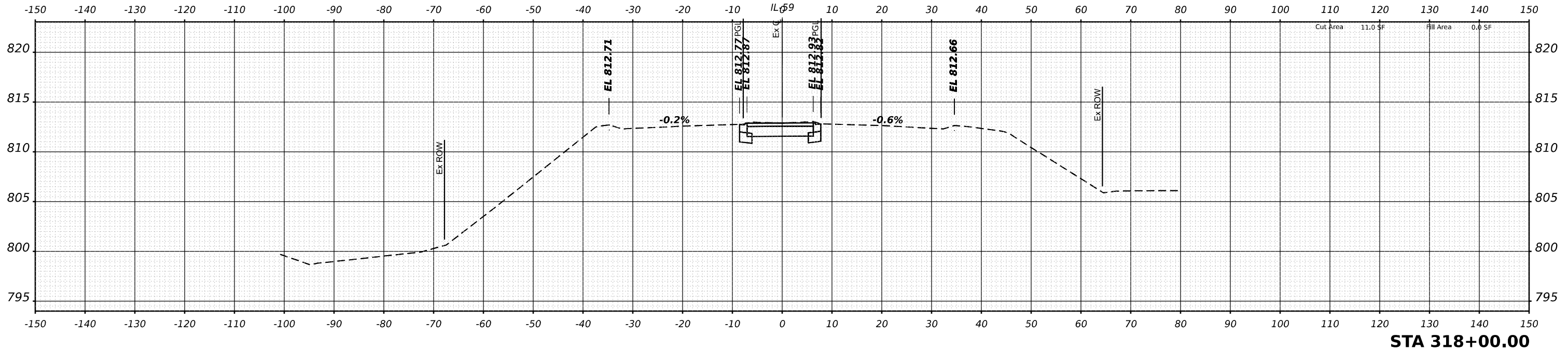
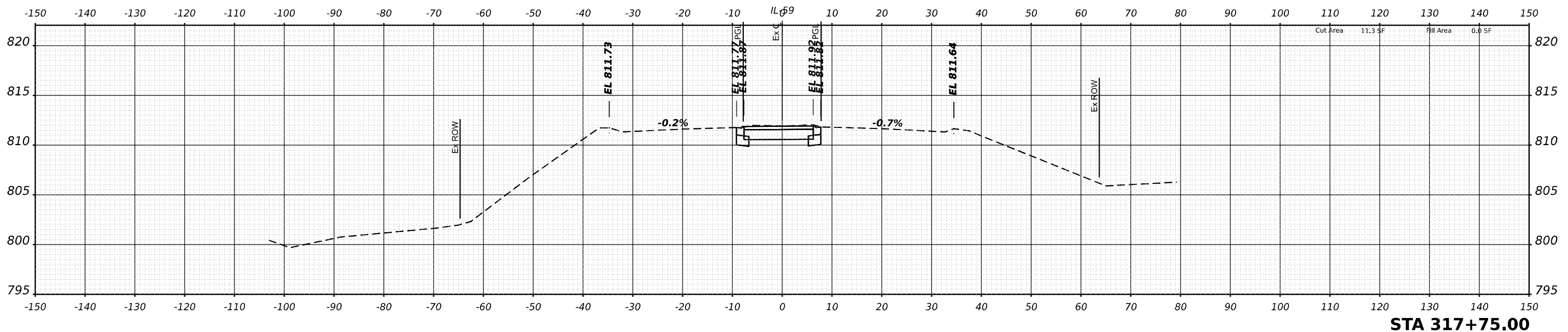


FINAL SURVEY NO.	SURVEYED	BY	DATE
NOTE BOOK	PLOTTED		
AREAS CHECKED	TEMPLATE		
	AREAS		
	CHECKED		



STA 318+00.00

ORIGINAL SURVEY NO.	SURVEYED	BY	DATE
NOTE BOOK	PLOTTED		
AREAS CHECKED	TEMPLATE		
	AREAS		
	CHECKED		



STA 317+75.00

MODEL: IL059 XS - 317+75.00-1 (Sheet)
 FILE NAME: p:\il059\plan\317+75.00-1.dwg

USER NAME = ldezarm	DESIGNED -	REVISED -
	DRAWN -	REVISED -
PLOT SCALE = 0.16666633 1/ in.	CHECKED -	REVISED -
PLOT DATE = 12/21/2021	DATE -	REVISED -

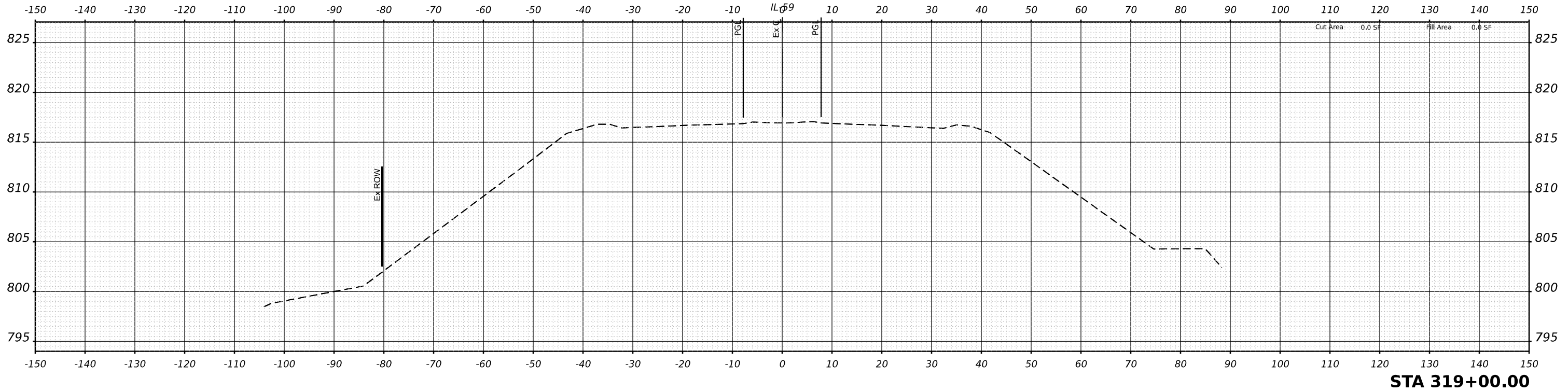
**STATE OF ILLINOIS
 DEPARTMENT OF TRANSPORTATION**

**CROSS SECTIONS
 IL. ROUTE 59 AT WEST BARTLETT ROAD**

SCALE: 1" = 10' SHEET 0 OF SHEETS STA.

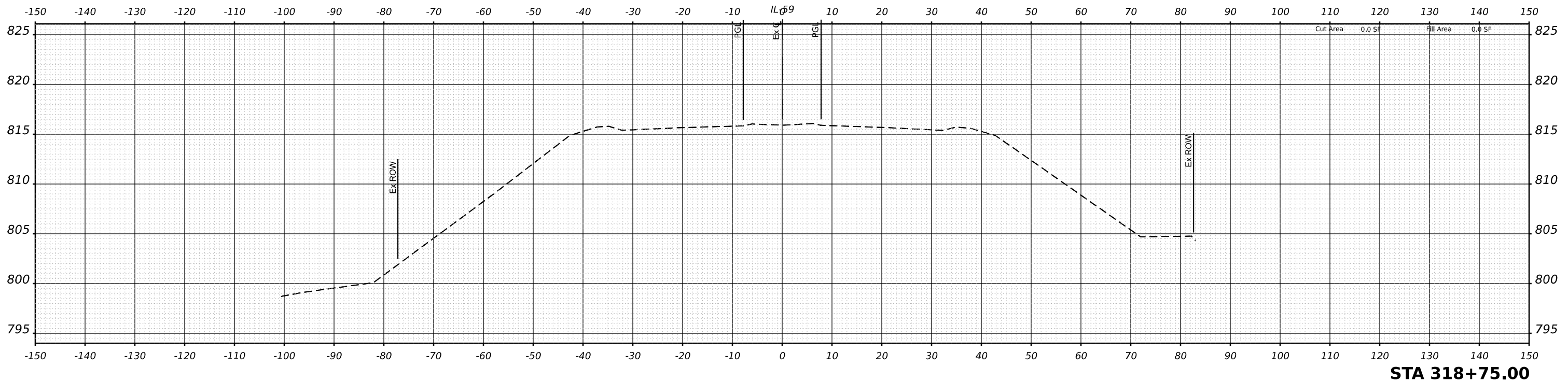
F.A.P. RTE. 338	SECTION 110R-1-N	COUNTY COOK	TOTAL SHEETS 237	SHEET NO. 201
			CONTRACT NO. 62D30	
ILLINOIS		FED. AID PROJECT		

DATE	
BY	
SURVEYED	
PLOTTED	
TEMPLATE	
AREAS	
CHECKED	
NO.	
FINAL SURVEY	
NOTE BOOK	
AREAS CHECKED	



STA 319+00.00

DATE	
BY	
SURVEYED	
PLOTTED	
TEMPLATE	
AREAS	
CHECKED	
NO.	
ORIGINAL SURVEY	
NOTE BOOK	
AREAS CHECKED	



STA 318+75.00

MODEL: IL59 XS - 318 + 75.00 - 1 (Sheet)
 FILE NAME: p:\il59\dwg\p10041\DOT\Office\District 1\Projects\P10041\CARD\CADD\DrawDesign\P10041 Excc - L59.dgn

USER NAME = ldezarm	DESIGNED -	REVISED -
	DRAWN -	REVISED -
PLOT SCALE = 0.16666633 1/ in.	CHECKED -	REVISED -
PLOT DATE = 12/21/2021	DATE -	REVISED -

STATE OF ILLINOIS
 DEPARTMENT OF TRANSPORTATION

CROSS SECTIONS
 IL. ROUTE 59 @ WEST BARTLETT ROAD

SCALE: 1" = 50'

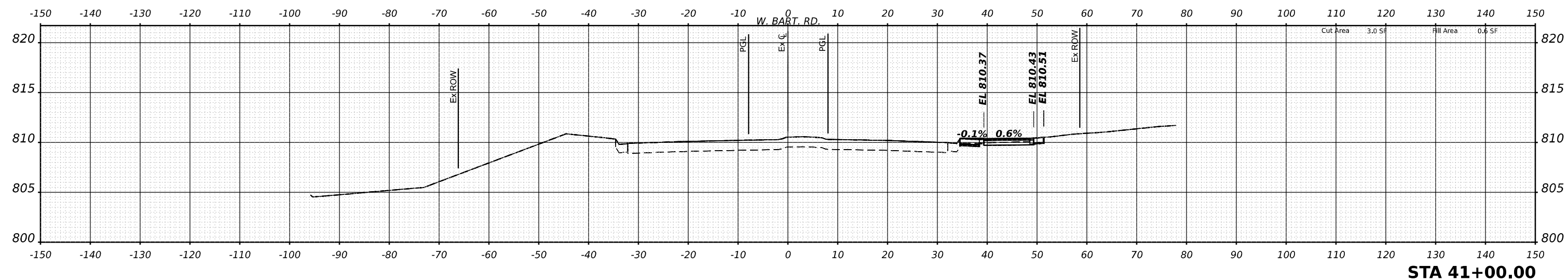
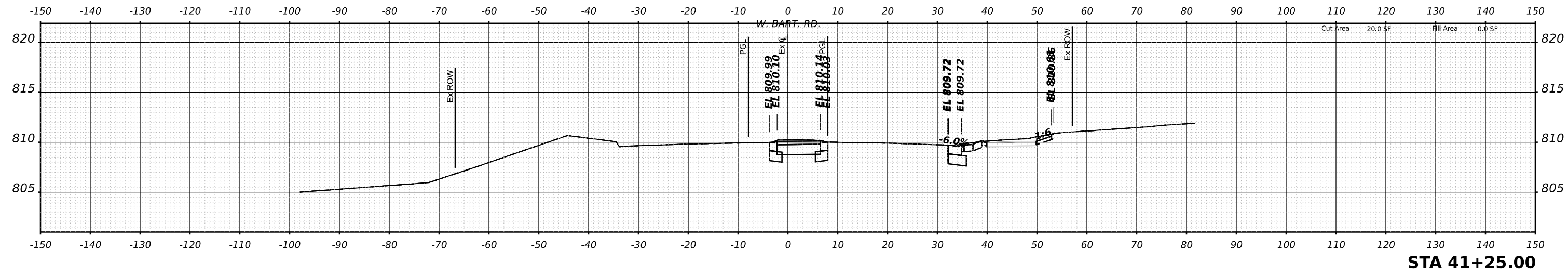
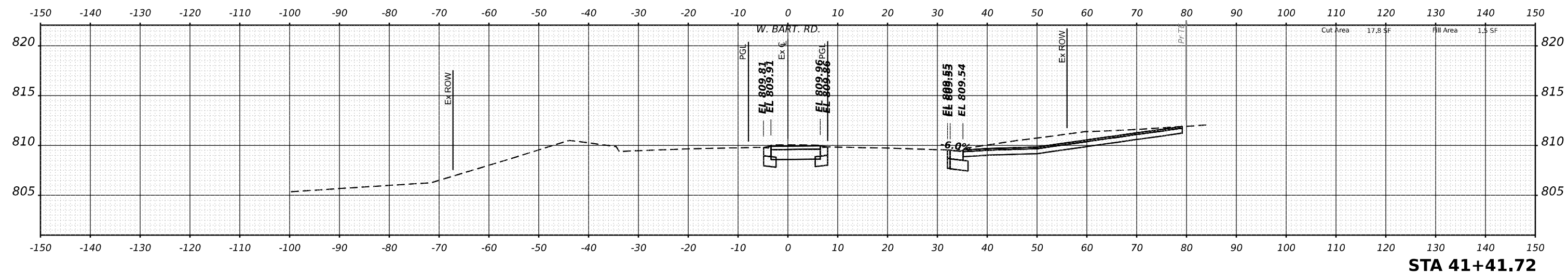
SHEET 0 OF SHEETS STA.

F.A.P. RTE. 338	SECTION 110R-1-N	COUNTY COOK	TOTAL SHEETS 237	SHEET NO. 203
CONTRACT NO. 62D30				
ILLINOIS FED. AID PROJECT				

DATE	
BY	
ORIGINAL SURVEY	
PLOTTED	
TEMPLATE	
AREAS CHECKED	
NO.	

DATE	
BY	
ORIGINAL SURVEY	
PLOTTED	
TEMPLATE	
AREAS CHECKED	
NO.	

MODEL: Wbart XS - 41 +00.00-05 (Sheet)
 FILE NAME: p:\illinois\dm\p10041\DOT\Office\District 1\Projects\P10041\CADD\DrawDesign\P10041\Exec\WBart.dgn



USER NAME = ldezarm	DESIGNED -	REVISED -
	DRAWN -	REVISED -
PLOT SCALE = 0.16666633 1/ in.	CHECKED -	REVISED -
PLOT DATE = 12/21/2021	DATE -	REVISED -

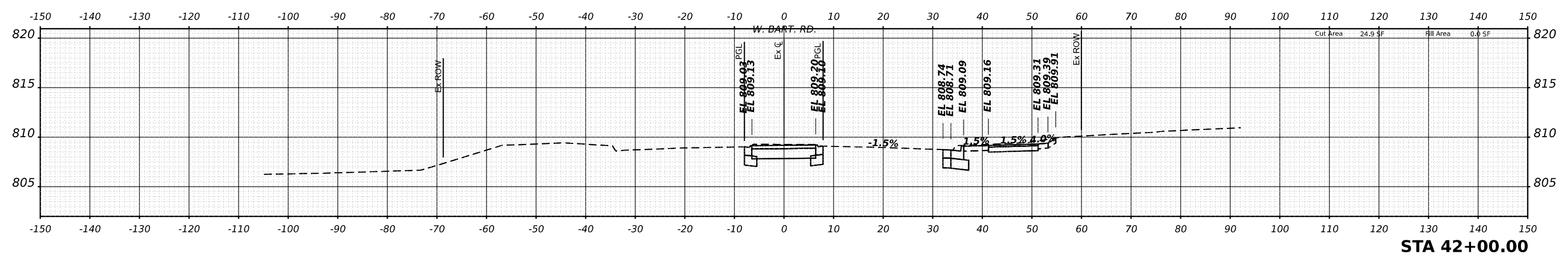
**STATE OF ILLINOIS
DEPARTMENT OF TRANSPORTATION**

**CROSS SECTIONS
IL. ROUTE 59 AT WEST BARTLETT ROAD**

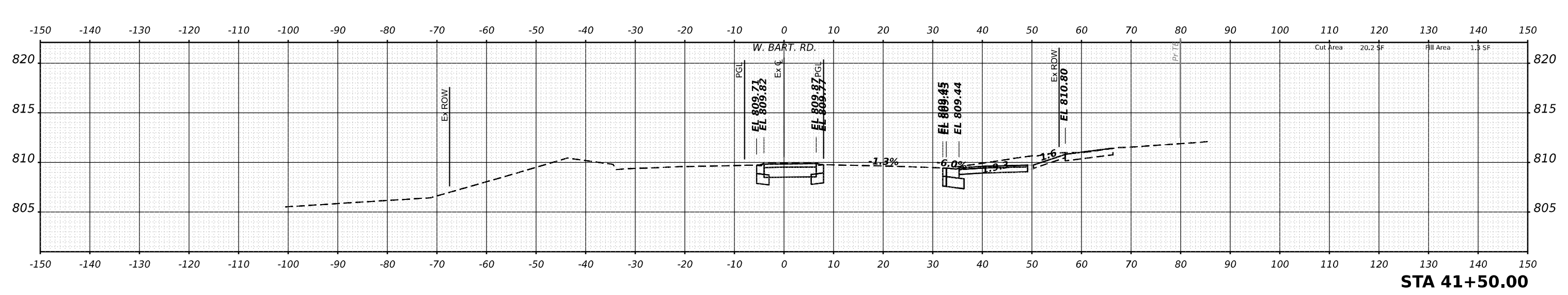
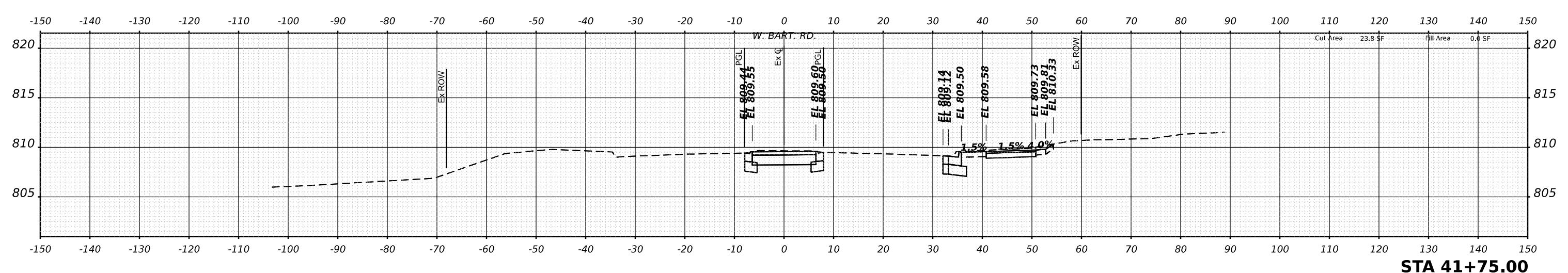
SCALE: 1" = 10' SHEET 65 OF SHEETS STA.

F.A.P. RTE. 338	SECTION 110R-1-N	COUNTY COOK	TOTAL SHEETS 237	SHEET NO. 204
			CONTRACT NO. 62D30	
ILLINOIS FED. AID PROJECT				

FINAL SURVEY	SURVEYED	BY	DATE
NOTE BOOK	PLOTTED		
NO.	TEMPLATE		
	AREAS		
	CHECKED		



ORIGINAL SURVEY	SURVEYED	BY	DATE
NOTE BOOK	PLOTTED		
NO.	TEMPLATE		
	AREAS		
	CHECKED		



USER NAME = ldezarm	DESIGNED -	REVISED -
	DRAWN -	REVISED -
PLOT SCALE = 0.16666633 1/16"	CHECKED -	REVISED -
PLOT DATE = 12/21/2021	DATE -	REVISED -

STATE OF ILLINOIS
DEPARTMENT OF TRANSPORTATION

CROSS SECTIONS
IL. ROUTE 59 AT WEST BARTLETT ROAD

SCALE: 1" = 10'

SHEET 66 OF SHEETS STA.

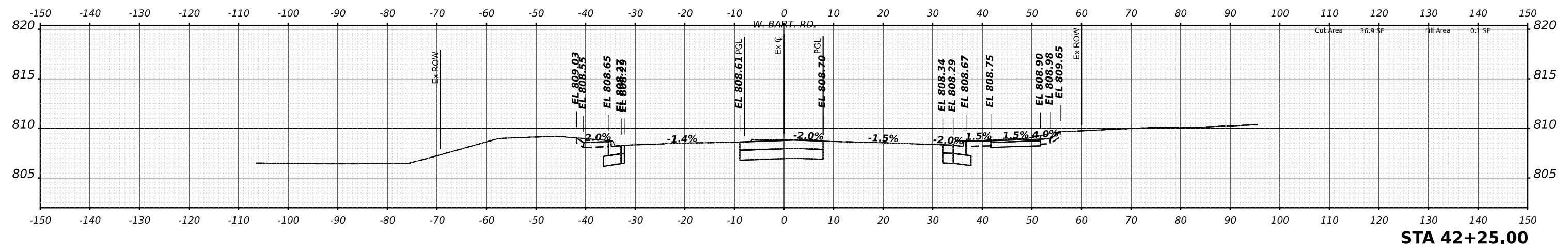
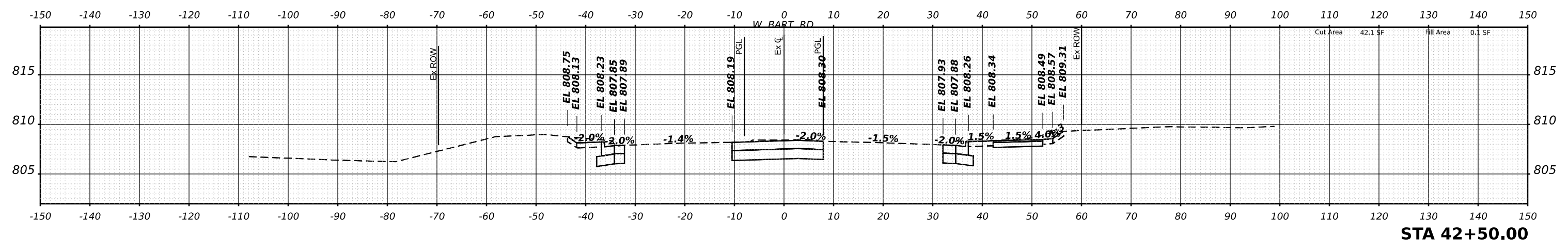
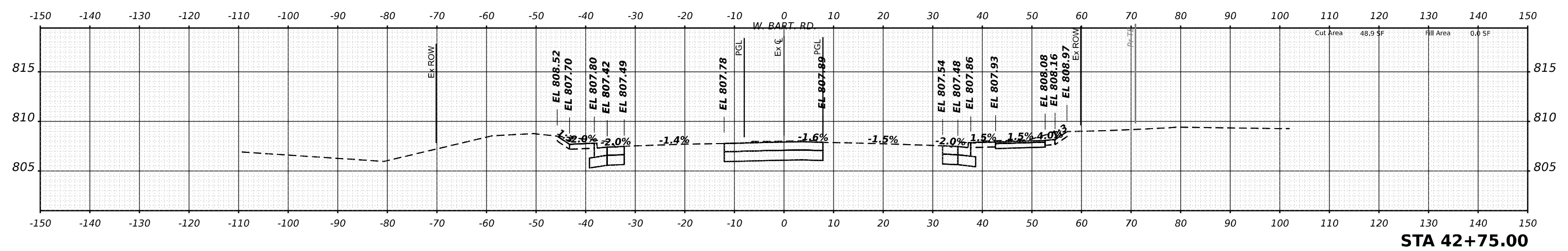
F.A.P. RTE. 338	SECTION 110R-1-N	COUNTY COOK	TOTAL SHEETS 237	SHEET NO. 205
			CONTRACT NO. 62D30	
		ILLINOIS FED. AID PROJECT		

MODEL: Wbart XS - 41 + 50.00-5 (Sheet)
FILE NAME: p:\illinois\dm\p\m\DOT\Documents\DOT Office\District 1\Projects\P10041\CO-RD\CAD\Draw\Design\P10041\Exec\WBartlet.dgn

FINAL SURVEY NO.	DATE
SURVEYED	BY
PLOTTED	
TEMPLATE	
AREAS	
AREAS CHECKED	

ORIGINAL SURVEY NO.	DATE
SURVEYED	BY
PLOTTED	
TEMPLATE	
AREAS	
AREAS CHECKED	

MODEL: Wbart XS - 42+25.00-5 (Sheet)
FILE NAME: p:\illinois\dm\p10041\cadd\cadd\data\Design\p10041\excav\Wbart.dgn



USER NAME = ldezarm	DESIGNED -	REVISED -
	DRAWN -	REVISED -
PLOT SCALE = 0.16666633 1/ in.	CHECKED -	REVISED -
PLOT DATE = 12/21/2021	DATE -	REVISED -

**STATE OF ILLINOIS
DEPARTMENT OF TRANSPORTATION**

**CROSS SECTIONS
IL. ROUTE 59 AT WEST BARTLETT ROAD**

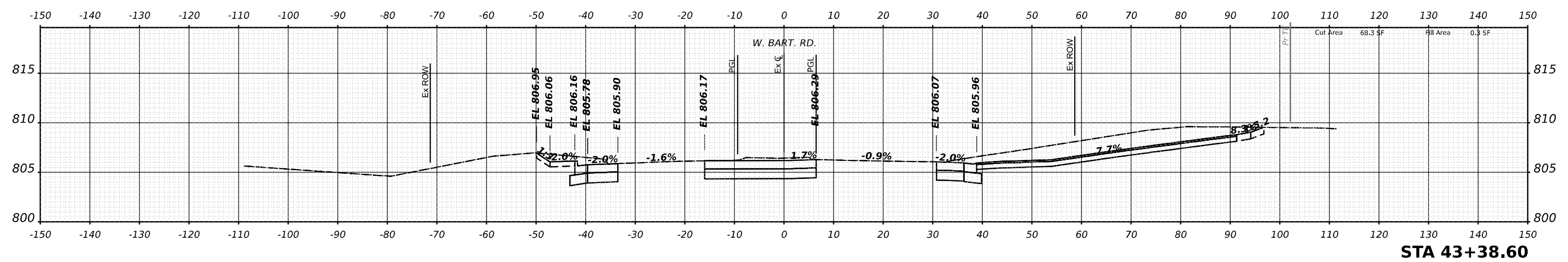
SCALE: 1" = 10'
SHEET 0 OF SHEETS STA.

F.A.P. RTE. 338	SECTION 110R-1-N	COUNTY COOK	TOTAL SHEETS 237	SHEET NO. 206
			CONTRACT NO. 62D30	
		ILLINOIS FED. AID PROJECT		

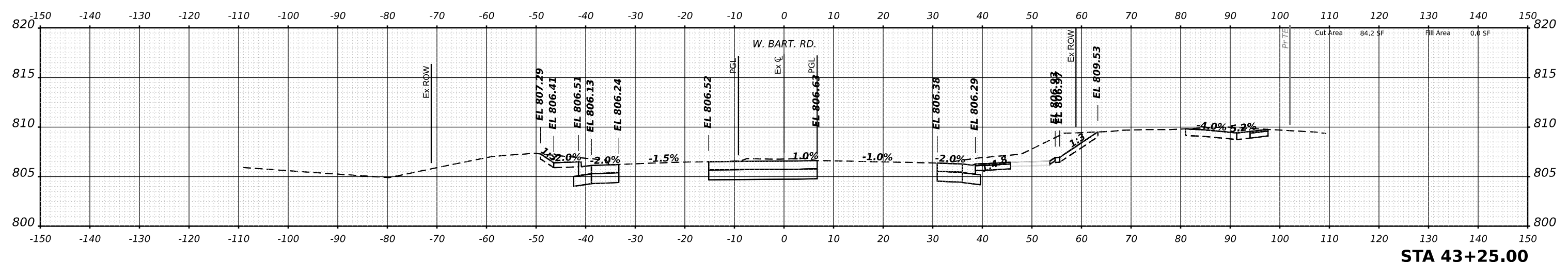
DATE	
BY	
NO.	
FINAL SURVEY	SURVEYED
NOTE BOOK	PLOTTED
NO.	TEMPLATE
	AREAS
	CHECKED

DATE	
BY	
NO.	
ORIGINAL SURVEY	SURVEYED
NOTE BOOK	PLOTTED
NO.	TEMPLATE
	AREAS
	CHECKED

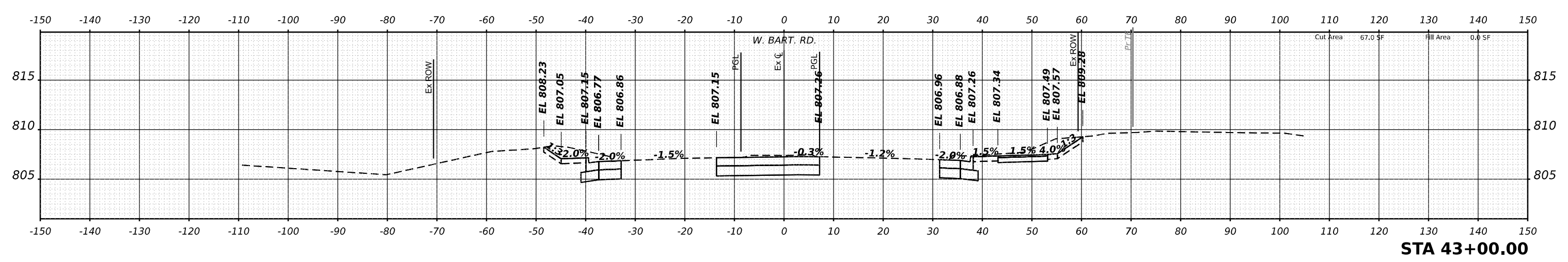
MODEL: Wbart XS - 43 +00.00-5 (Sheet)
 FILE NAME: p:\illinois\wbar\p10041\cadd\cadd\design\p10041\exc_wbart.dgn



STA 43+38.60



STA 43+25.00



STA 43+00.00

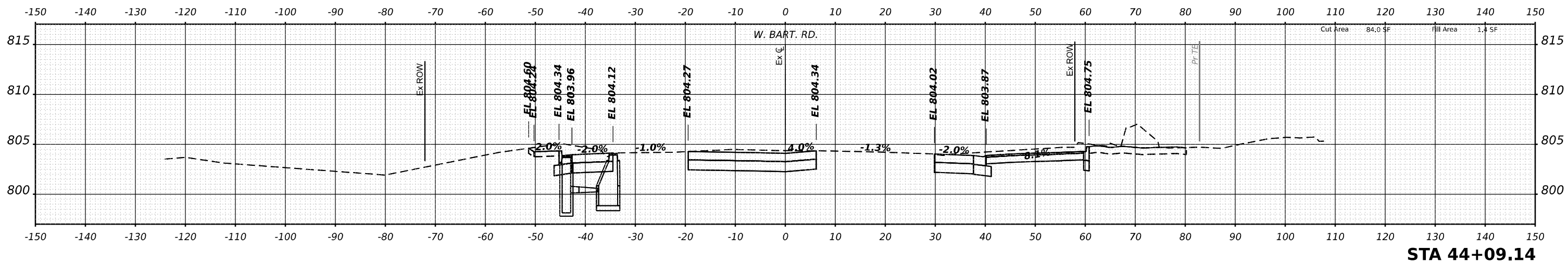
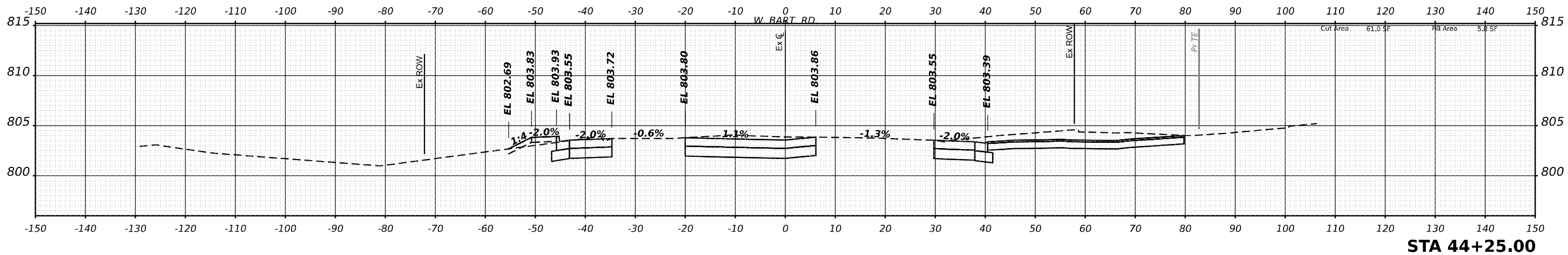
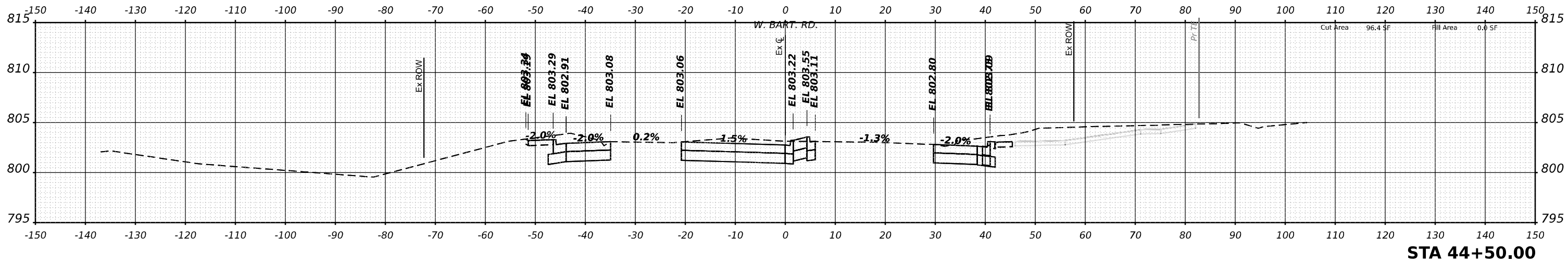
USER NAME	= ldezarm	DESIGNED	-	REVISED	-
		DRAWN	-	REVISED	-
PLOT SCALE	= 0.16666633 1/ in.	CHECKED	-	REVISED	-
PLOT DATE	= 12/21/2021	DATE	-	REVISED	-

**STATE OF ILLINOIS
DEPARTMENT OF TRANSPORTATION**

**CROSS SECTIONS
IL. ROUTE 59 AT WEST BARTLETT ROAD**
 SCALE: 1" = 10'
 SHEET 0 OF SHEETS STA.

F.A.P. RTE.	SECTION	COUNTY	TOTAL SHEETS	SHEET NO.
338	110R-1-N	COOK	237	207
				CONTRACT NO. 62D30
				ILLINOIS FED. AID PROJECT

FINAL SURVEY	SURVEYED	DATE
NOTE BOOK	PLOTTED	BY
NO.	TEMPLATE	
	AREAS	
	CHECKED	



ORIGINAL SURVEY	SURVEYED	DATE
NOTE BOOK	PLOTTED	BY
NO.	TEMPLATE	
	AREAS	
	CHECKED	

MODEL: Wbart XS - 44+09.14 (Sheet)
 FILE NAME: p:\illinois\dm\p10041\cadd\cadd\data\Design\P10041\exc\wbartdet.dgn

USER NAME = ldezarm	DESIGNED -	REVISED -
	DRAWN -	REVISED -
PLOT SCALE = 0.16666633 1/ in.	CHECKED -	REVISED -
PLOT DATE = 12/21/2021	DATE -	REVISED -

STATE OF ILLINOIS
 DEPARTMENT OF TRANSPORTATION

CROSS SECTIONS
 IL. ROUTE 59 AT WEST BARTLETT ROAD

SCALE: 1" = 10'

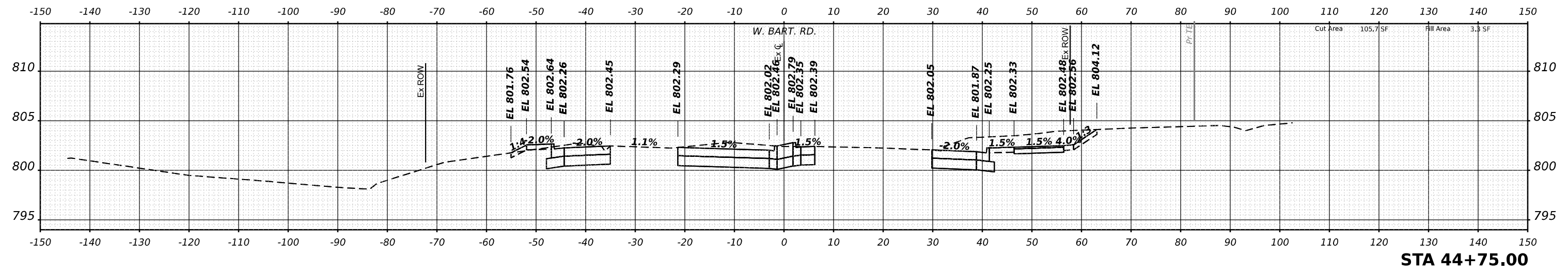
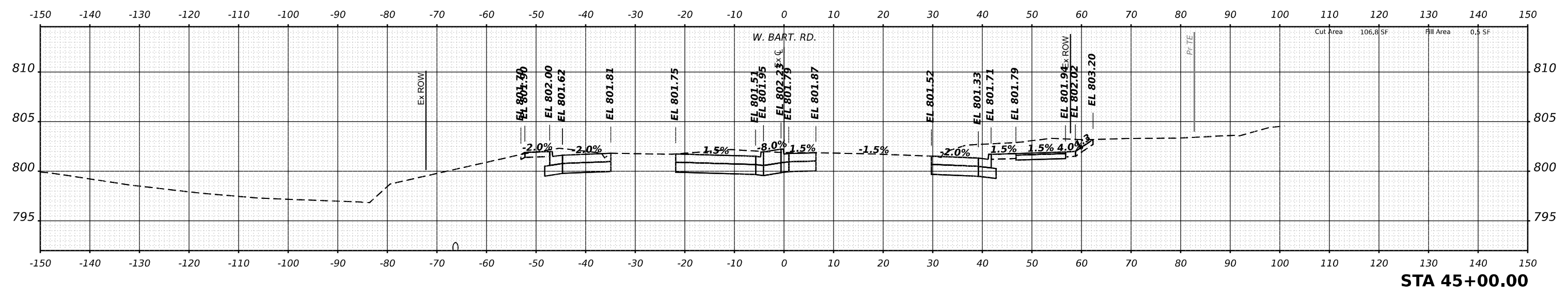
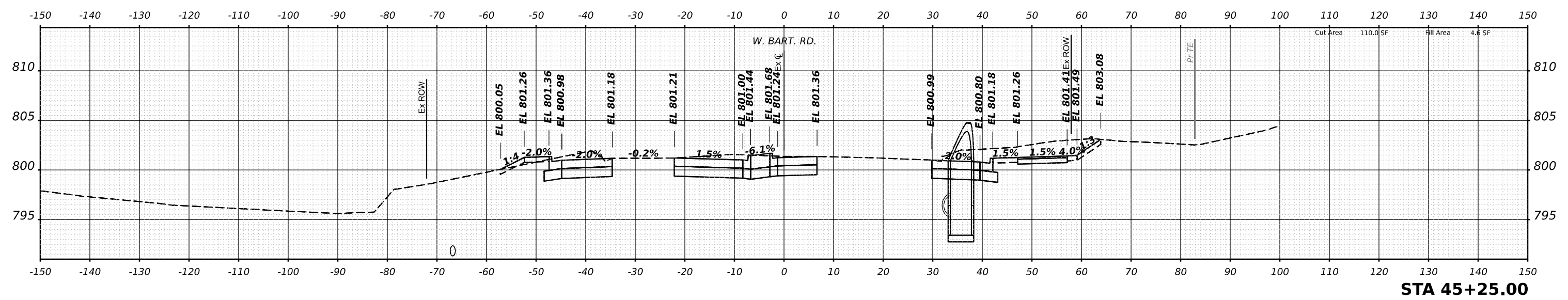
SHEET 70 OF SHEETS STA.

F.A.P. RTE. 338	SECTION 110R-1-N	COUNTY COOK	TOTAL SHEETS 237	SHEET NO. 209
			CONTRACT NO. 62D30	
ILLINOIS		FED. AID PROJECT		

FINAL SURVEY	SURVEYED	BY	DATE
NOTE BOOK	PLOTTED		
NO.	TEMPLATE		
	AREAS		
	CHECKED		

ORIGINAL SURVEY	SURVEYED	BY	DATE
NOTE BOOK	PLOTTED		
NO.	TEMPLATE		
	AREAS		
	CHECKED		

MODEL: Wbart XS - 44+75.00-5 (Sheet)
 FILE NAME: p:\iltdoc\dwg\lsc\pmd\DOT\Documents\DOT Office\District 1\Projects\P10041\CORD\CADD\dat\Design\P10041\Exec\WBartlet.dgn



USER NAME = ldezarm	DESIGNED -	REVISD -
	DRAWN -	REVISD -
PLOT SCALE = 0.16666633 1/ in.	CHECKED -	REVISD -
PLOT DATE = 12/21/2021	DATE -	REVISD -

**STATE OF ILLINOIS
 DEPARTMENT OF TRANSPORTATION**

**CROSS SECTIONS
 IL. ROUTE 59 AT WEST BARTLETT ROAD**

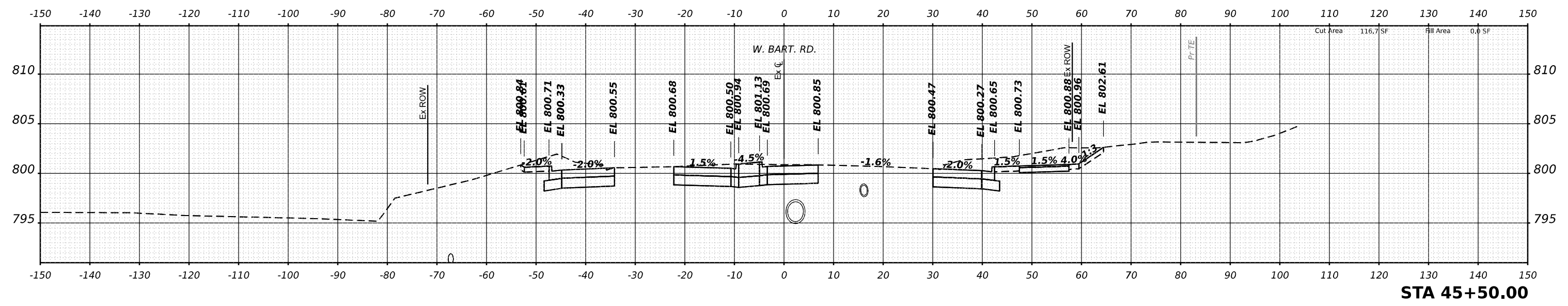
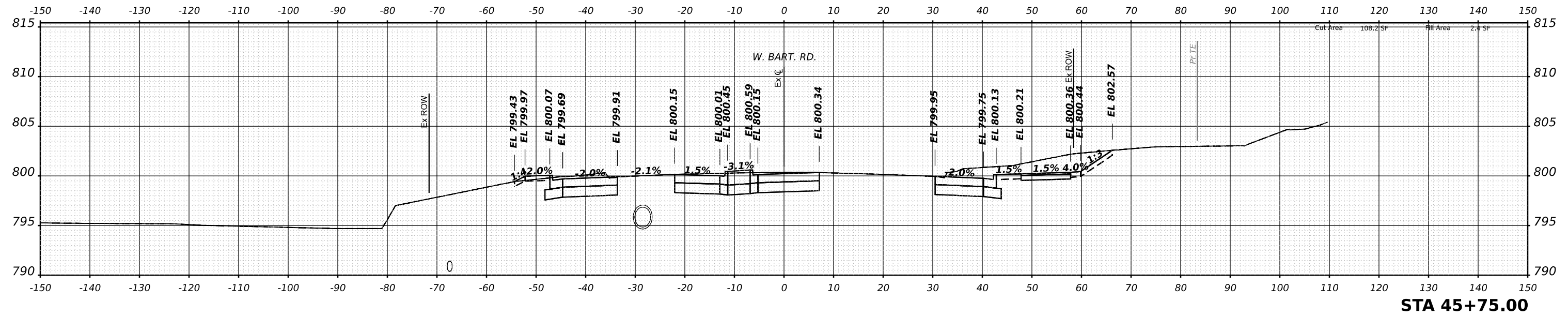
SCALE: 1" = 10'
 SHEET 0 OF SHEETS STA.

F.A.P. RTE. 338	SECTION 110R-1-N	COUNTY COOK	TOTAL SHEETS 237	SHEET NO. 210
			CONTRACT NO. 62D30	
		ILLINOIS FED. AID PROJECT		

FINAL SURVEY NO.	SURVEYED BY	DATE

ORIGINAL SURVEY NO.	SURVEYED BY	DATE

MODEL: Wbart XS - 45 + 50.00-5 (Sheet)
 FILE NAME: p:\w\illinois\dot\com\PMDC\DOT\Documents\DOT Office\District 1\Projects\P10041\CAD\Drawings\Design\P10041\Excav - WBartlet.dgn



USER NAME = ldezarm	DESIGNED -	REVISED -
	DRAWN -	REVISED -
PLOT SCALE = 0.16666633 1/ in.	CHECKED -	REVISED -
PLOT DATE = 12/21/2021	DATE -	REVISED -

**STATE OF ILLINOIS
 DEPARTMENT OF TRANSPORTATION**

**CROSS SECTIONS
 IL. ROUTE 59 AT WEST BARTLETT ROAD**

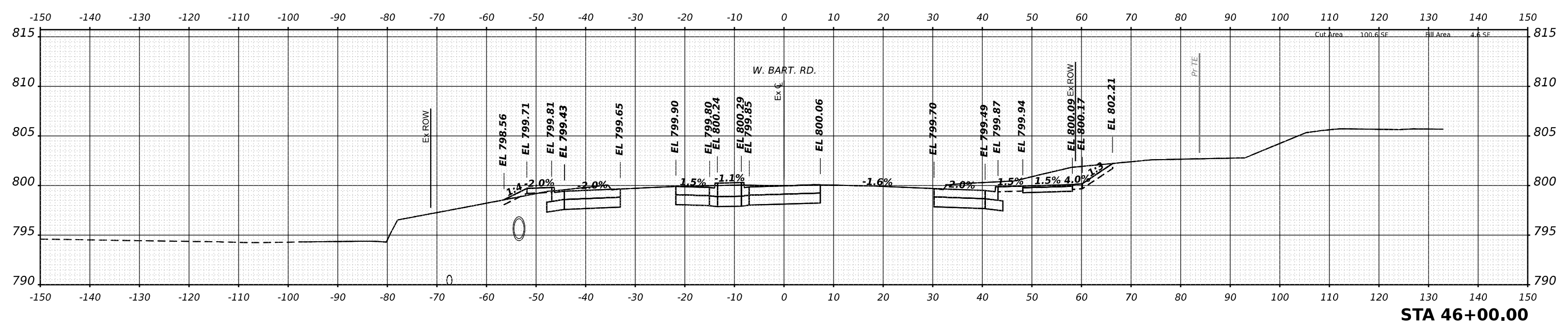
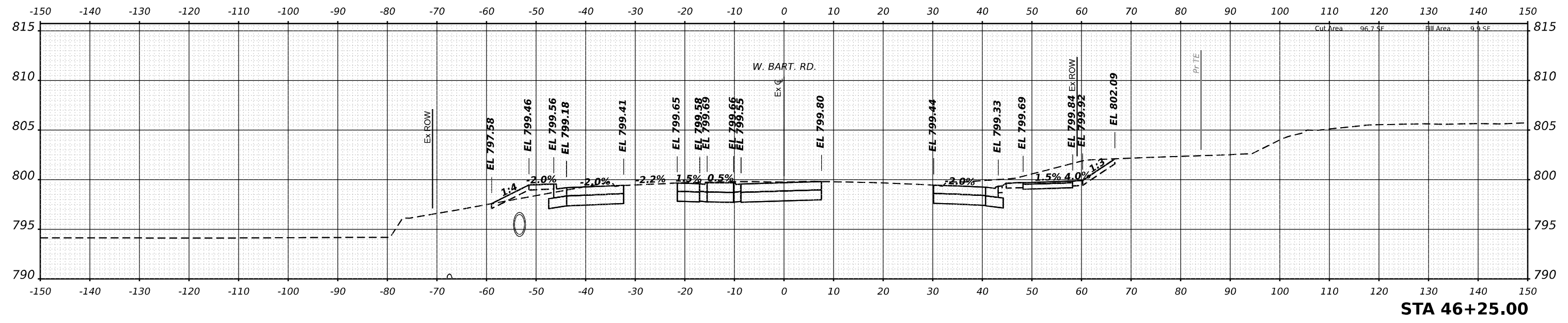
SCALE: 1" = 10'
 SHEET 0 OF SHEETS STA.

F.A.P. RTE. 338	SECTION 110R-1-N	COUNTY COOK	TOTAL SHEETS 237	SHEET NO. 211
CONTRACT NO. 62D30				ILLINOIS FED. AID PROJECT

FINAL SURVEY NO.	SURVEYED BY	DATE

ORIGINAL SURVEY NO.	SURVEYED BY	DATE

MODEL: Wbart XS - 46+00.00-5 (Sheet)
 FILE NAME: p:\illinois\dm\p10041\cadd\cadd\data\Design\P10041\Excav - Wbart.dgn



USER NAME = ldezarm	DESIGNED -	REVISED -
	DRAWN -	REVISED -
PLOT SCALE = 0.16666633 1/ in.	CHECKED -	REVISED -
PLOT DATE = 12/21/2021	DATE -	REVISED -

**STATE OF ILLINOIS
DEPARTMENT OF TRANSPORTATION**

**CROSS SECTIONS
IL. ROUTE 59 AT WEST BARTLETT ROAD**

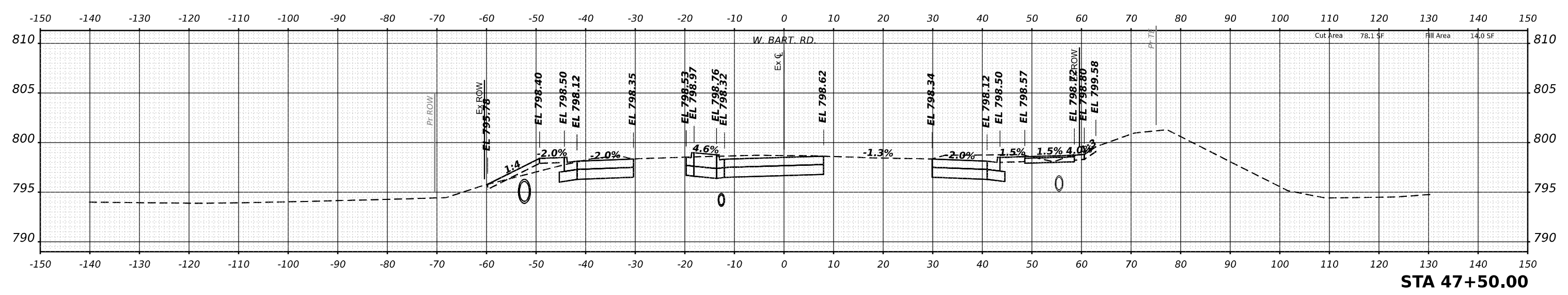
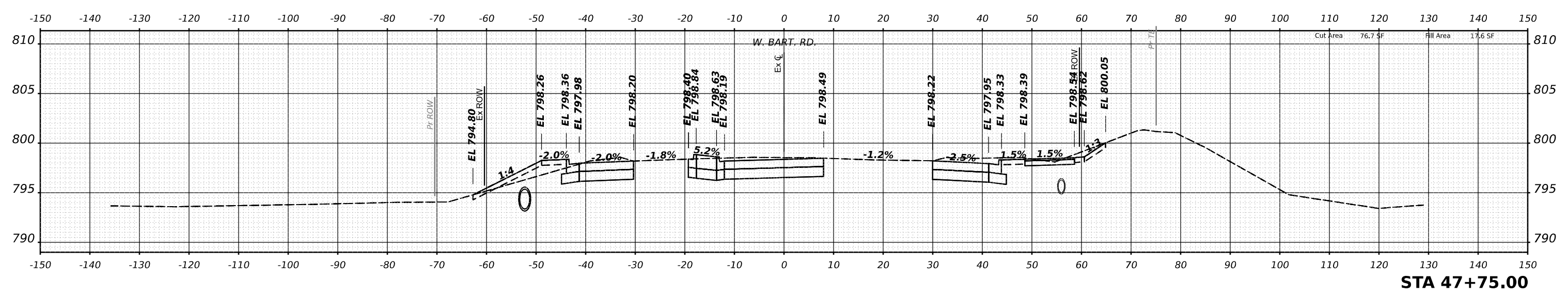
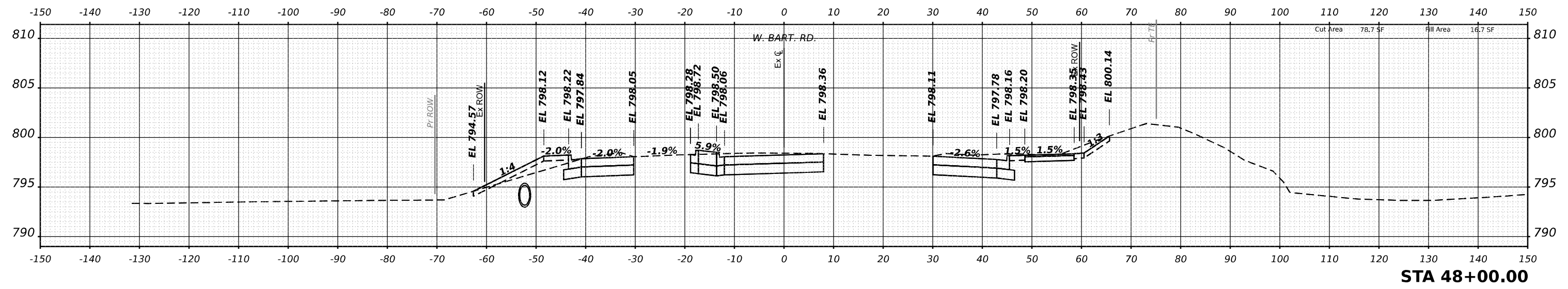
SCALE: 1" = 10' SHEET 0 OF SHEETS STA.

F.A.P. RTE. 338	SECTION 110R-1-N	COUNTY COOK	TOTAL SHEETS 237	SHEET NO. 212
CONTRACT NO. 62D30				ILLINOIS FED. AID PROJECT

DATE	
BY	
SURVEYED	
PLOTTED	
TEMPLATE	
AREAS	
AREAS CHECKED	
NO.	
FINAL SURVEY	
NOTE BOOK	
NO.	

DATE	
BY	
SURVEYED	
PLOTTED	
TEMPLATE	
AREAS	
AREAS CHECKED	
NO.	
ORIGINAL SURVEY	
NOTE BOOK	
NO.	

MODEL: Wbart XS - 47+50.00-5 (Sheet)
 FILE NAME: \\wbl\pcw\user\p\m\DOT\Documents\DOT Office\District 1\Projects\P10041\CORD\CADD\DrawDesign\P10041\Exec_WBart.dgn



USER NAME = ldezarm	DESIGNED -	REVISED -
	DRAWN -	REVISED -
PLOT SCALE = 0.16666633 1/16"	CHECKED -	REVISED -
PLOT DATE = 12/21/2021	DATE -	REVISED -

**STATE OF ILLINOIS
DEPARTMENT OF TRANSPORTATION**

**CROSS SECTIONS
IL. ROUTE 59 AT WEST BARTLETT ROAD**

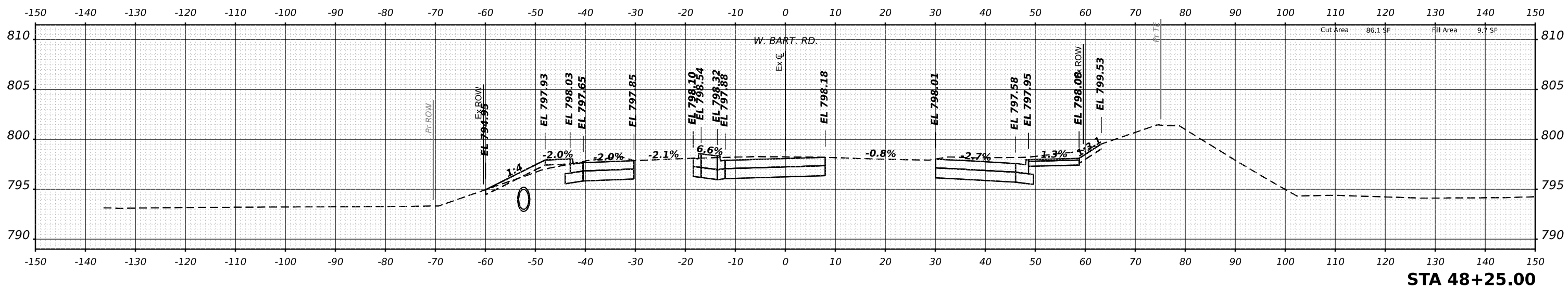
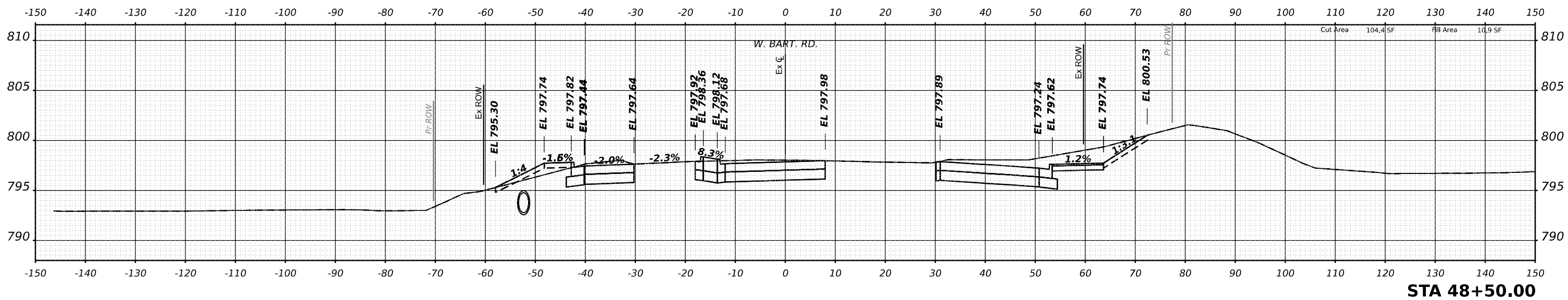
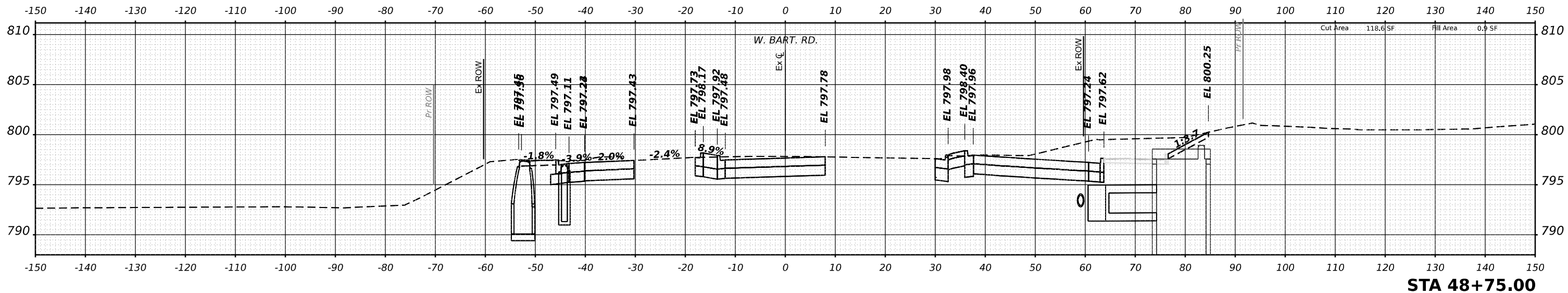
SCALE: 1" = 10' SHEET 0 OF SHEETS STA.

F.A.P. RTE. 338	SECTION 110R-1-N	COUNTY COOK	TOTAL SHEETS 237	SHEET NO. 215
CONTRACT NO. 62D30				
ILLINOIS FED. AID PROJECT				

FINAL SURVEY	SURVEYED	BY	DATE
NOTE BOOK	PLOTTED		
NO.	TEMPLATE		
	AREAS		
	CHECKED		

ORIGINAL SURVEY	SURVEYED	BY	DATE
NOTE BOOK	PLOTTED		
NO.	TEMPLATE		
	AREAS		
	CHECKED		

MODEL: Wbart XS - 48 + 25.00-5 (Sheet)
 FILE NAME: p:\iltdoc\p\dm\p\dm\DOT\Office\District 1\Projects\P10041\CORD\CADD\Design\P10041\Exec\WBartlet.dgn



USER NAME = ldezarm	DESIGNED -	REVISED -
	DRAWN -	REVISED -
PLOT SCALE = 0.16666633 1/ in.	CHECKED -	REVISED -
PLOT DATE = 12/21/2021	DATE -	REVISED -

**STATE OF ILLINOIS
DEPARTMENT OF TRANSPORTATION**

**CROSS SECTIONS
IL. ROUTE 59 AT WEST BARTLETT ROAD**

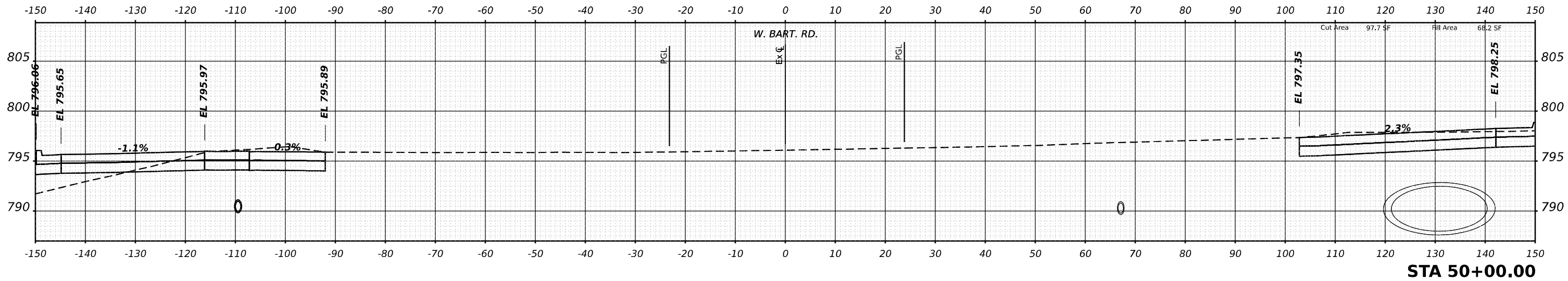
SCALE: 1" = 10' SHEET 0 OF SHEETS STA.

F.A.P. RTE. 338	SECTION 110R-1-N	COUNTY COOK	TOTAL SHEETS 237	SHEET NO. 216
CONTRACT NO. 62D30				
ILLINOIS FED. AID PROJECT				

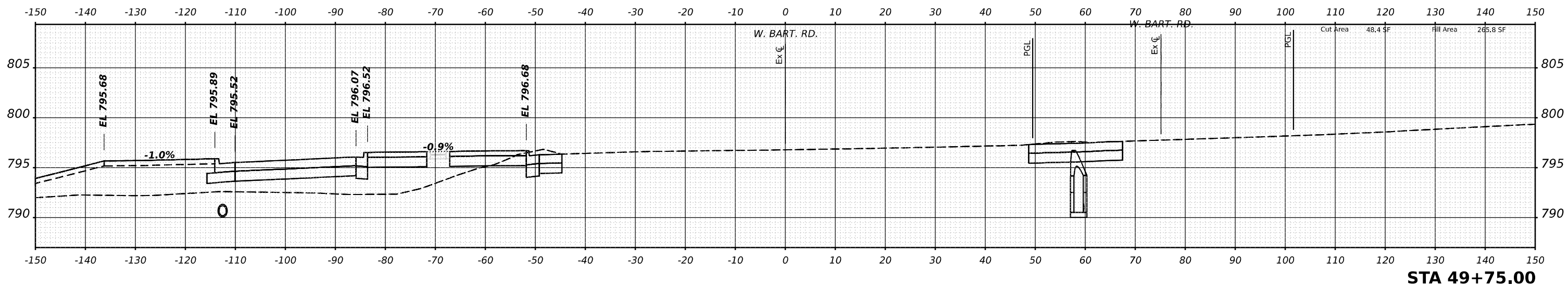
FINAL SURVEY	SURVEYED	BY	DATE
NOTE BOOK	PLOTTED		
NO.	TEMPLATE		
	AREAS CHECKED		
	AREAS CHECKED		

ORIGINAL SURVEY	SURVEYED	BY	DATE
NOTE BOOK	PLOTTED		
NO.	TEMPLATE		
	AREAS CHECKED		
	AREAS CHECKED		

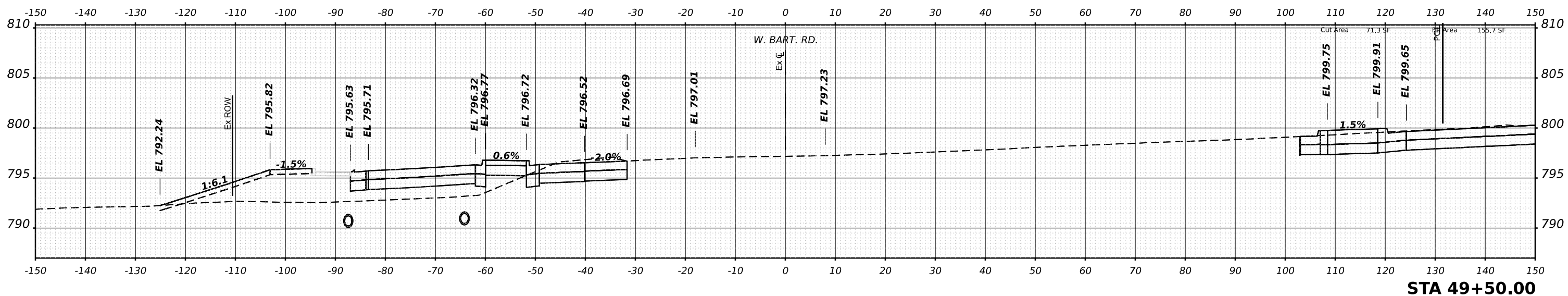
MODEL: Wbart XS - 49+50.00-5 (Sheet)
 FILE NAME: p:\work\pww\pww.com\PMDC\Documents\DOT Office\District 1\Projects\P10041-CARD\CADD\DrawDesign\P10041-Excav-WBartlettdgn



STA 50+00.00



STA 49+75.00



STA 49+50.00

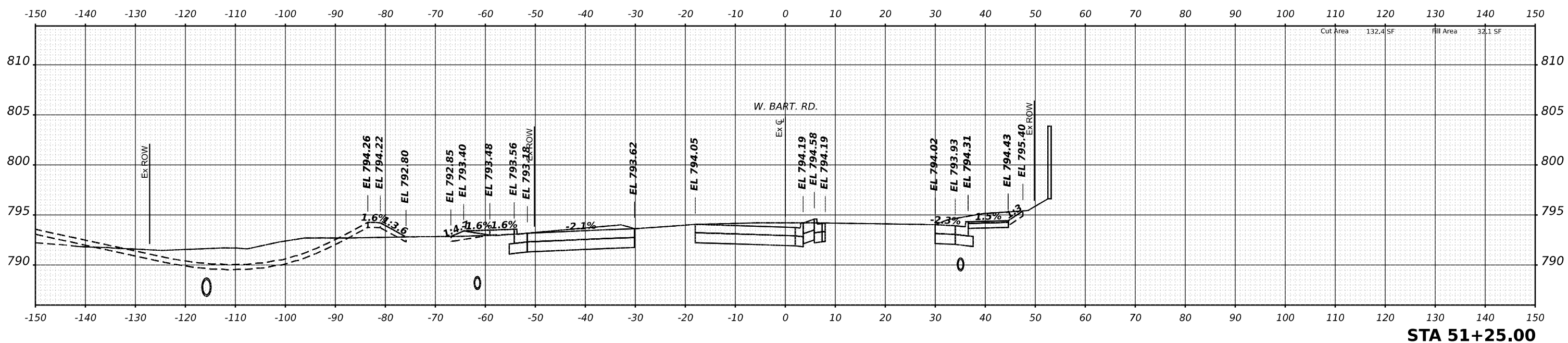
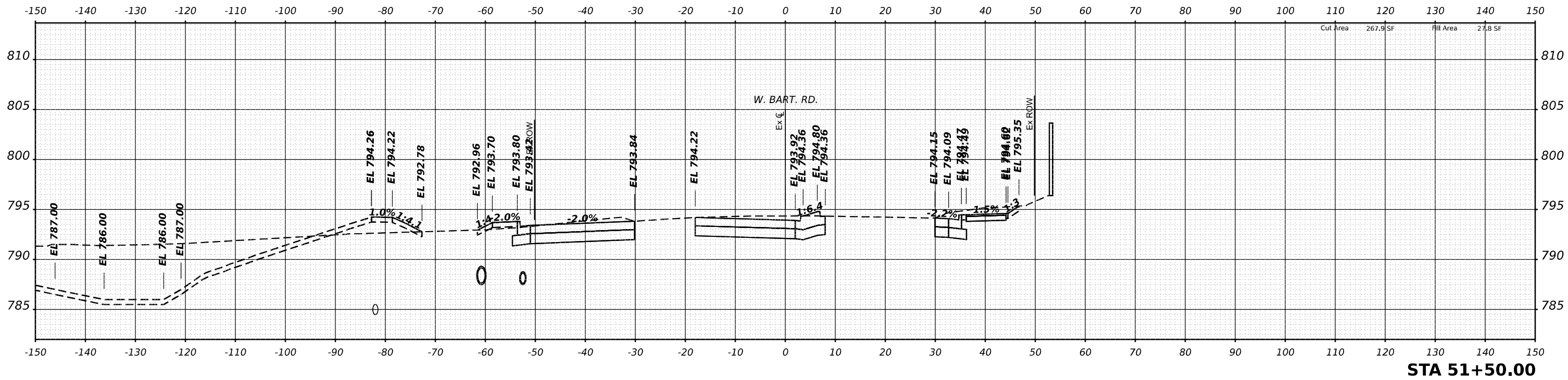
USER NAME	= ldezarm	DESIGNED	-	REVISED	-
		DRAWN	-	REVISED	-
PLOT SCALE	= 0.16666633 1/16 in.	CHECKED	-	REVISED	-
PLOT DATE	= 12/21/2021	DATE	-	REVISED	-

STATE OF ILLINOIS
 DEPARTMENT OF TRANSPORTATION

CROSS SECTIONS
 IL. ROUTE 59 AT WEST BARTLETT ROAD
 SCALE: 1" = 10'
 SHEET 0 OF SHEETS STA.

F.A.P. RTE.	SECTION	COUNTY	TOTAL SHEETS	SHEET NO.
338	110R-1-N	COOK	237	218
				CONTRACT NO. 62D30
				ILLINOIS FED. AID PROJECT

FINAL SURVEY NO.	SURVEYED	BY	DATE
NOTE BOOK	PLOTTED		
AREAS CHECKED	TEMPLATE		
	AREAS		
	CHECKED		



ORIGINAL SURVEY NO.	SURVEYED	BY	DATE
NOTE BOOK	PLOTTED		
AREAS CHECKED	TEMPLATE		
	AREAS		
	CHECKED		

MODEL: Wbart XS - 51 + 25.00-5 (Sheet)
FILE NAME: p:\illinois\dwg\mtdot\Documents\DOT Office\District 1\Projects\P10041\CADData\Design\P10041\Exec_WBart.dgn

USER NAME = ldezarm	DESIGNED -	REVISED -
PLOT SCALE = 0.16666633 1/16"	DRAWN -	REVISED -
PLOT DATE = 12/21/2021	CHECKED -	REVISED -
	DATE -	REVISED -

STATE OF ILLINOIS
DEPARTMENT OF TRANSPORTATION

CROSS SECTIONS
IL. ROUTE 59 AT WEST BARTLETT ROAD

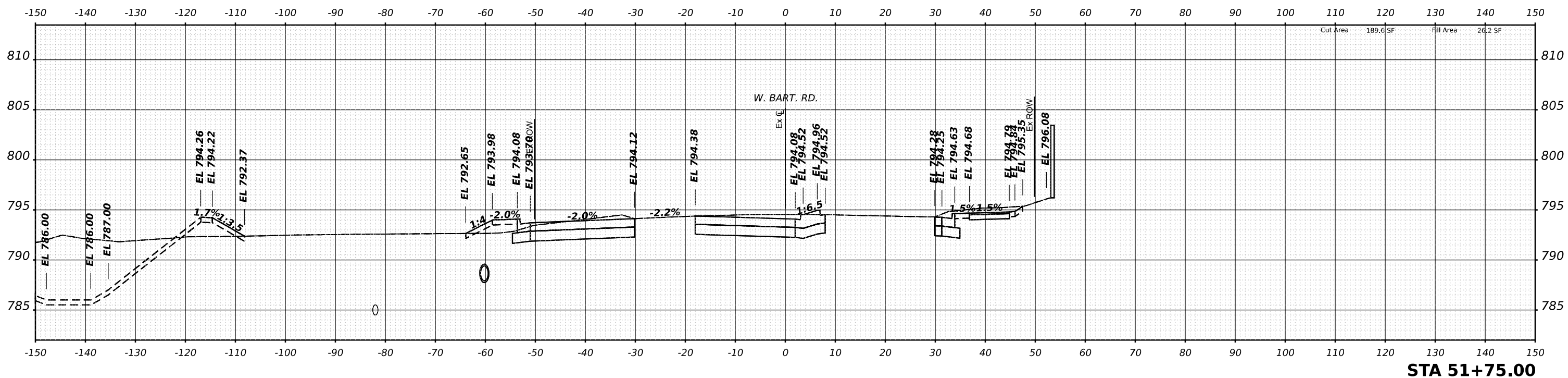
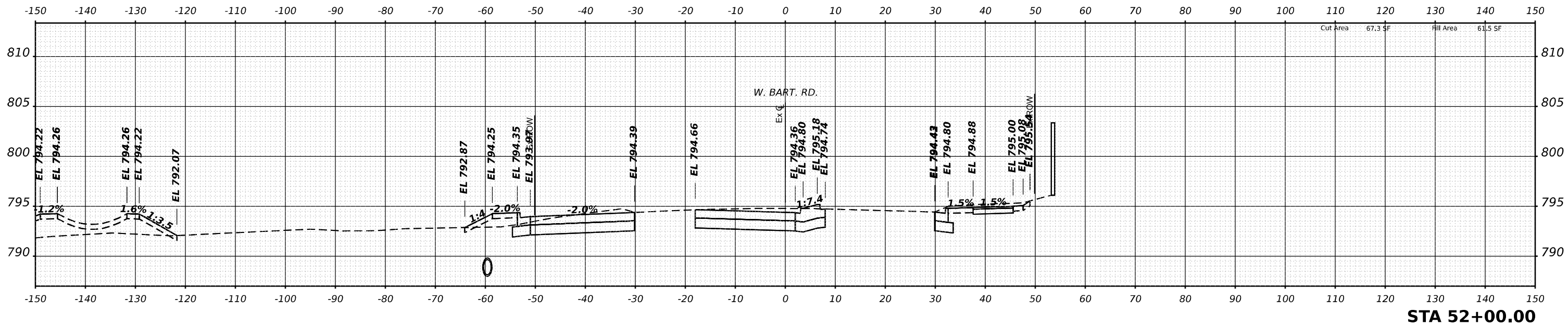
SCALE: 1" = 10' SHEET 0 OF SHEETS STA.

F.A.P. RTE. 338	SECTION 110R-1-N	COUNTY COOK	TOTAL SHEETS 237	SHEET NO. 221
			CONTRACT NO. 62D30	
ILLINOIS		FED. AID PROJECT		

FINAL SURVEY NO.	BY	DATE
SURVEYED		
PLOTTED		
TEMPLATE		
AREAS		
CHECKED		

ORIGINAL SURVEY NO.	BY	DATE
SURVEYED		
PLOTTED		
TEMPLATE		
AREAS		
CHECKED		

MODEL: Wbart XS - 51 + 75.00-5 (Sheet)
 FILE NAME: p:\illinois\dot\office\dot\projects\110041\50\RD\CADD\data\Design\110041\50\w\bartlettdgn



USER NAME = ldezarm	DESIGNED -	REVISED -
	DRAWN -	REVISED -
PLOT SCALE = 0.16666633 1/16"	CHECKED -	REVISED -
PLOT DATE = 12/21/2021	DATE -	REVISED -

**STATE OF ILLINOIS
 DEPARTMENT OF TRANSPORTATION**

**CROSS SECTIONS
 IL. ROUTE 59 AT WEST BARTLETT ROAD**

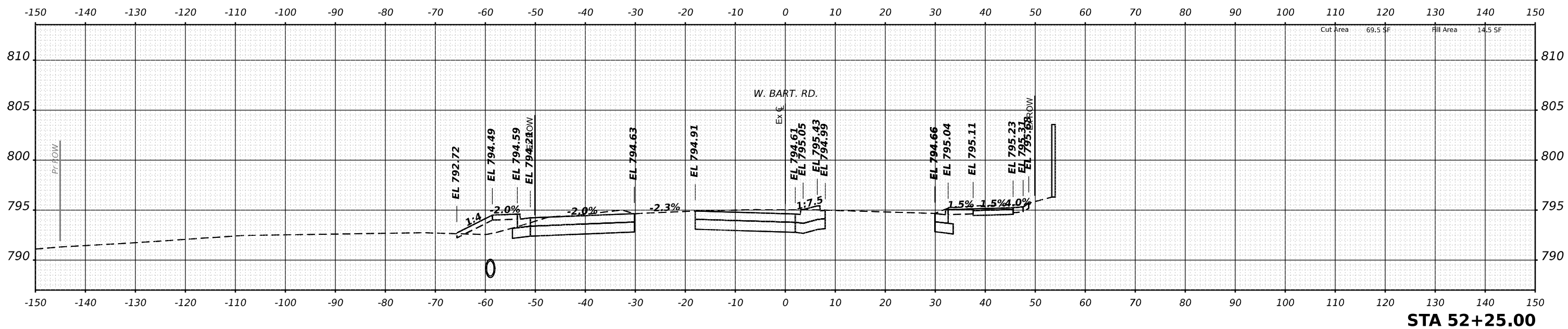
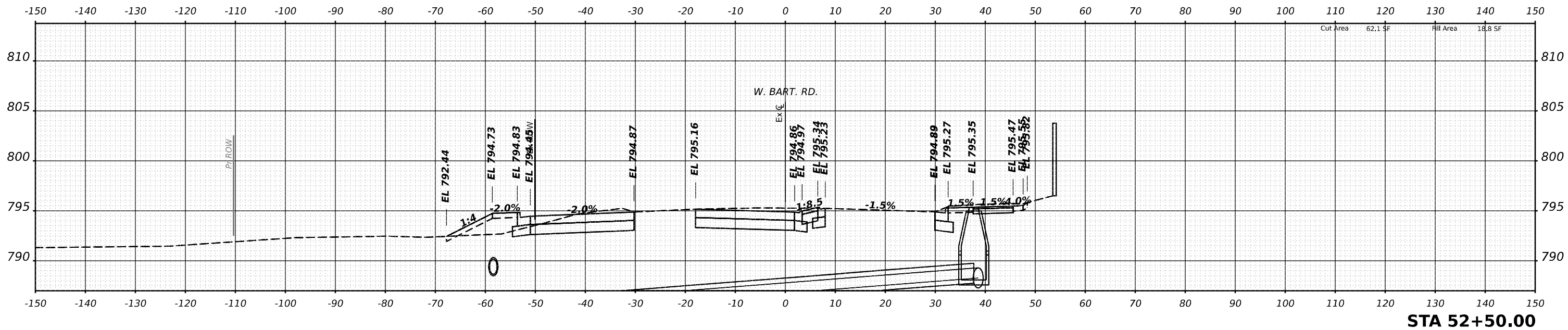
SCALE: 1" = 10' SHEET 0 OF SHEETS STA.

F.A.P. RTE. 338	SECTION 110R-1-N	COUNTY COOK	TOTAL SHEETS 237	SHEET NO. 222
CONTRACT NO. 62D30				
ILLINOIS FED. AID PROJECT				

FINAL SURVEY NO.	SURVEYED	BY	DATE
NOTE BOOK	PLOTTED		
AREAS CHECKED	TEMPLATE		
	AREAS		
	CHECKED		

ORIGINAL SURVEY NO.	SURVEYED	BY	DATE
NOTE BOOK	PLOTTED		
AREAS CHECKED	TEMPLATE		
	AREAS		
	CHECKED		

MODEL: Wbart XS - 52 + 25.00-5 (Sheet)
 FILE NAME: p:\illinois\dm\p\DOT\Office\District 1\Projects\P10041\CORD\CADD\DrawDesign\P10041\52csr_WBartlet.dgn



USER NAME = ldezarm	DESIGNED -	REVISED -
	DRAWN -	REVISED -
PLOT SCALE = 0.16666633 1/16"	CHECKED -	REVISED -
PLOT DATE = 12/21/2021	DATE -	REVISED -

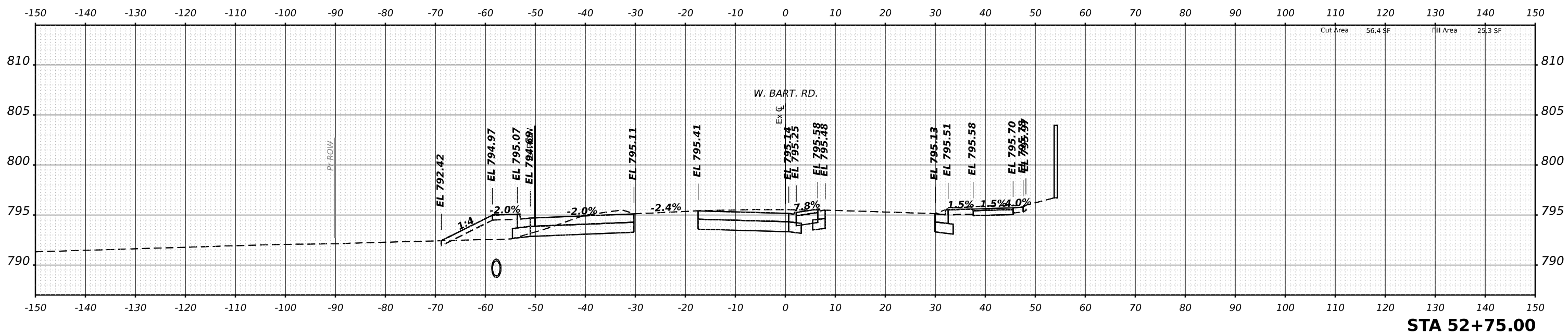
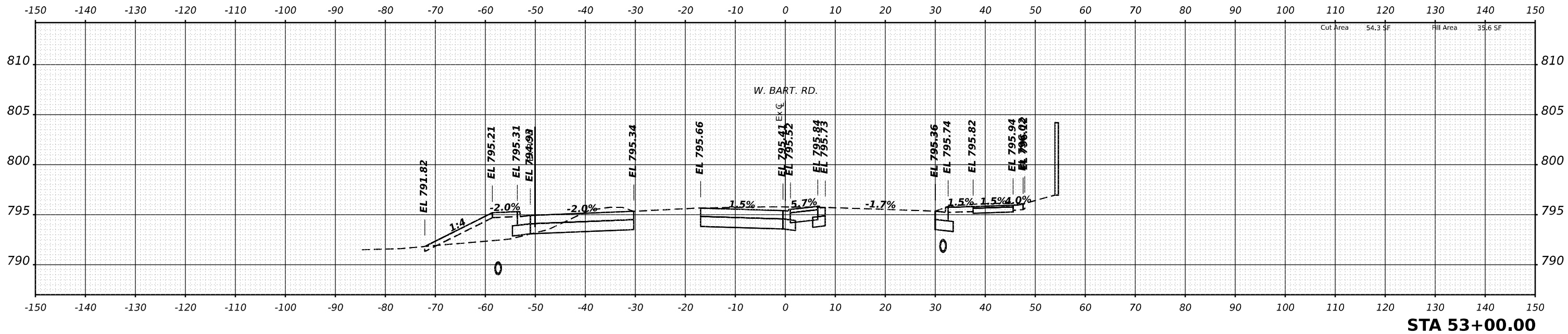
**STATE OF ILLINOIS
 DEPARTMENT OF TRANSPORTATION**

**CROSS SECTIONS
 IL. ROUTE 59 AT WEST BARTLETT ROAD**

SCALE: 1" = 10' SHEET 0 OF SHEETS STA.

F.A.P. RTE. 338	SECTION 110R-1-N	COUNTY COOK	TOTAL SHEETS 237	SHEET NO. 223
CONTRACT NO. 62D30				
ILLINOIS FED. AID PROJECT				

FINAL SURVEY NO.	SURVEYED PLOTTED AREAS CHECKED	BY	DATE



ORIGINAL SURVEY NO.	SURVEYED PLOTTED AREAS CHECKED	BY	DATE

MODEL: Wbart XS - 52 + 75.00-5 (Sheet)
 FILE NAME: p:\illinois\dm\p\DOT\Documents\PM\DOT\Documents\PM\DOT\CADData\Design\10041\52+75.00\WBartlet.dgn

USER NAME = ldezarm	DESIGNED -	REVISED -
	DRAWN -	REVISED -
PLOT SCALE = 0.16666633 1/ in.	CHECKED -	REVISED -
PLOT DATE = 12/21/2021	DATE -	REVISED -

STATE OF ILLINOIS
 DEPARTMENT OF TRANSPORTATION

CROSS SECTIONS
 IL. ROUTE 59 AT WEST BARTLETT ROAD

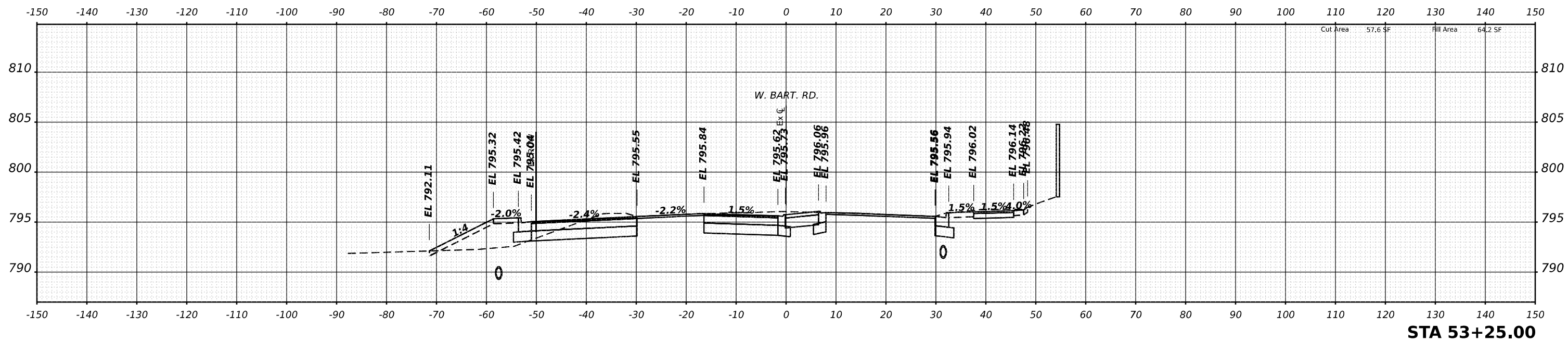
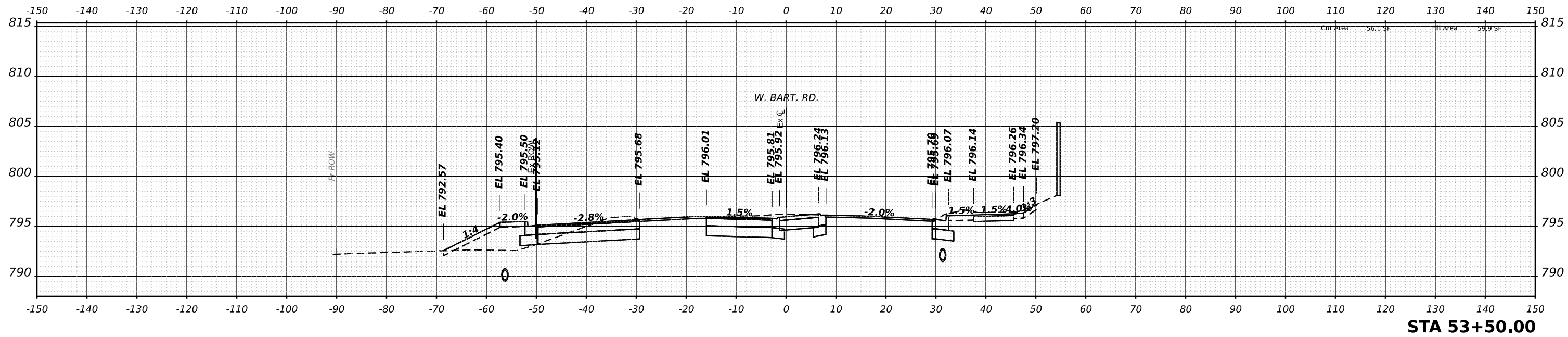
SCALE: 1" = 10' SHEET 0 OF SHEETS STA.

F.A.P. RTE. 338	SECTION 110R-1-N	COUNTY COOK	TOTAL SHEETS 237	SHEET NO. 224
CONTRACT NO. 62D30				
ILLINOIS FED. AID PROJECT				

FINAL SURVEY NO.	SURVEYED PLOTTED AREAS CHECKED	BY	DATE

ORIGINAL SURVEY NO.	SURVEYED PLOTTED AREAS CHECKED	BY	DATE

MODEL: Wbart XS - 59 + 25.00-5 (Sheet)
 FILE NAME: p:\work\dwg\user\p\m\DOT\Office\District 1\Projects\P10041-CORD\CADD\DrawDesign\P10041-Exc-Cross-WBartlet.dgn



USER NAME = ldezarm	DESIGNED -	REVISED -
	DRAWN -	REVISED -
PLOT SCALE = 0.16666633 1/ in.	CHECKED -	REVISED -
PLOT DATE = 12/21/2021	DATE -	REVISED -

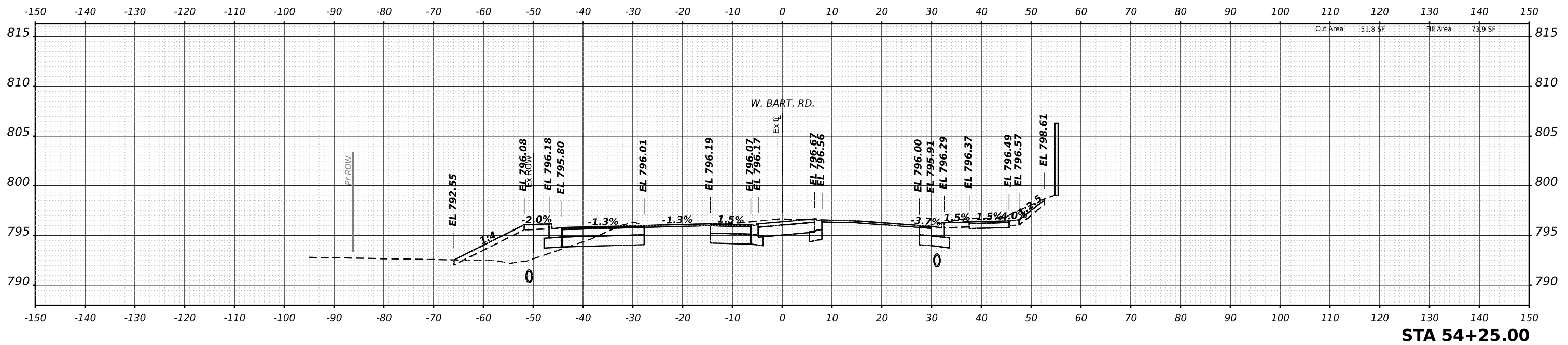
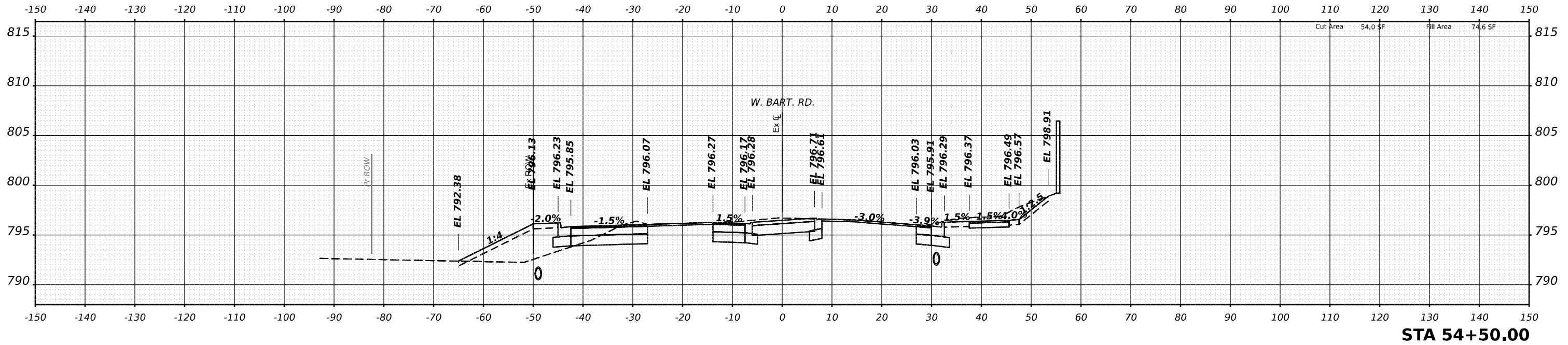
**STATE OF ILLINOIS
DEPARTMENT OF TRANSPORTATION**

**CROSS SECTIONS
IL. ROUTE 59 AT WEST BARTLETT ROAD**

SCALE: 1" = 10' SHEET 0 OF SHEETS STA.

F.A.P. RTE. 338	SECTION 110R-1-N	COUNTY COOK	TOTAL SHEETS 237	SHEET NO. 225
CONTRACT NO. 62D30				
ILLINOIS FED. AID PROJECT				

FINAL SURVEY NO.	SURVEYED	BY	DATE
NOTE BOOK	PLOTTED		
AREAS CHECKED	TEMPLATE		
	AREAS		
	CHECKED		



ORIGINAL SURVEY NO.	SURVEYED	BY	DATE
NOTE BOOK	PLOTTED		
AREAS CHECKED	TEMPLATE		
	AREAS		
	CHECKED		

MODEL: Wbart XS - 54 + 25.00-5 (Sheet)
 FILE NAME: p:\illinois\dot\Documents\DOT Offices\District 1\Projects\P10041\CORD\CADD\Draw Design\P10041\Exc - WBart.dgn

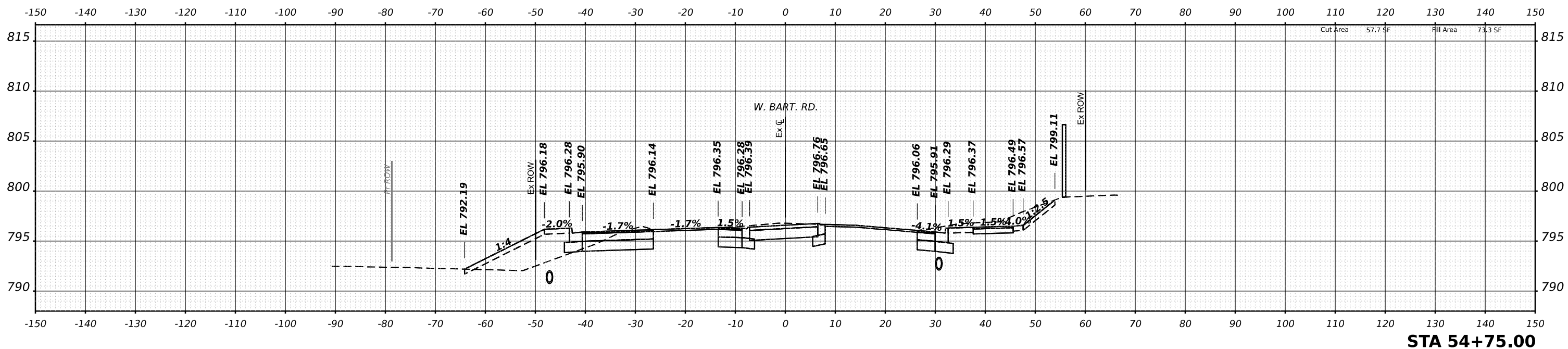
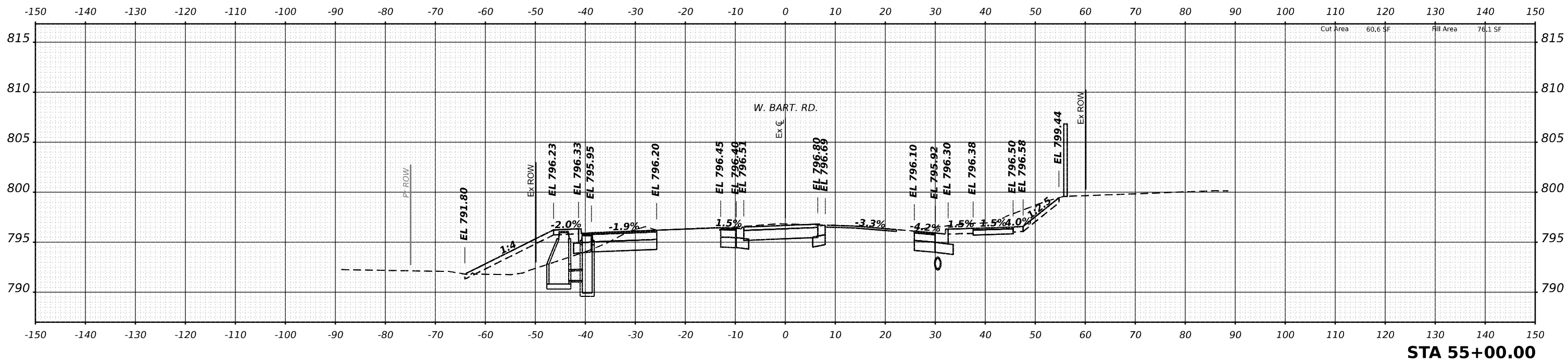
USER NAME = ldezmann	DESIGNED -	REVISED -
	DRAWN -	REVISED -
PLOT SCALE = 0.16666633 1/ in.	CHECKED -	REVISED -
PLOT DATE = 12/21/2021	DATE -	REVISED -

STATE OF ILLINOIS
 DEPARTMENT OF TRANSPORTATION

CROSS SECTIONS
 IL. ROUTE 59 AT WEST BARTLETT ROAD
 SCALE: 1" = 10'
 SHEET 0 OF SHEETS STA.

F.A.P. RTE. 338	SECTION 110R-1-N	COUNTY COOK	TOTAL SHEETS 237	SHEET NO. 227
CONTRACT NO. 62D30				
ILLINOIS FED. AID PROJECT				

FINAL SURVEY NO.	SURVEYED PLOTTED TEMPLATE AREAS CHECKED	BY	DATE



ORIGINAL SURVEY NO.	SURVEYED PLOTTED TEMPLATE AREAS CHECKED	BY	DATE

MODEL: Wbart XS - 54+75.00-5 (Sheet)
FILE NAME: p:\illinois\dm\p\dot\Documents\DOT Offices\District 1\Projects\P10041\CORD\CADD\Draw Design\P10041\Excc\WBart.dgn

USER NAME = ldezarm	DESIGNED -	REVISED -
PLOT SCALE = 0.16666633 1/16"	DRAWN -	REVISED -
PLOT DATE = 12/21/2021	CHECKED -	REVISED -
	DATE -	REVISED -

**STATE OF ILLINOIS
DEPARTMENT OF TRANSPORTATION**

**CROSS SECTIONS
IL. ROUTE 59 AT WEST BARTLETT ROAD**

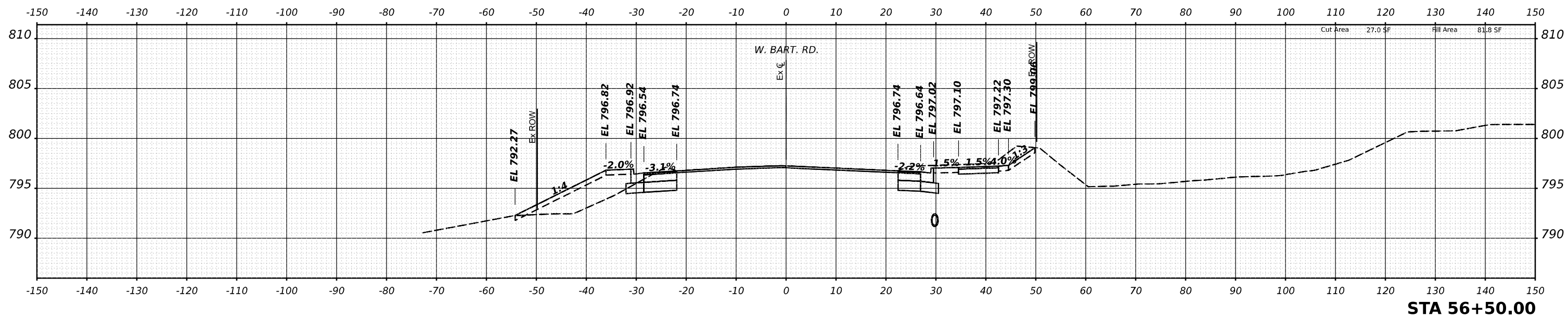
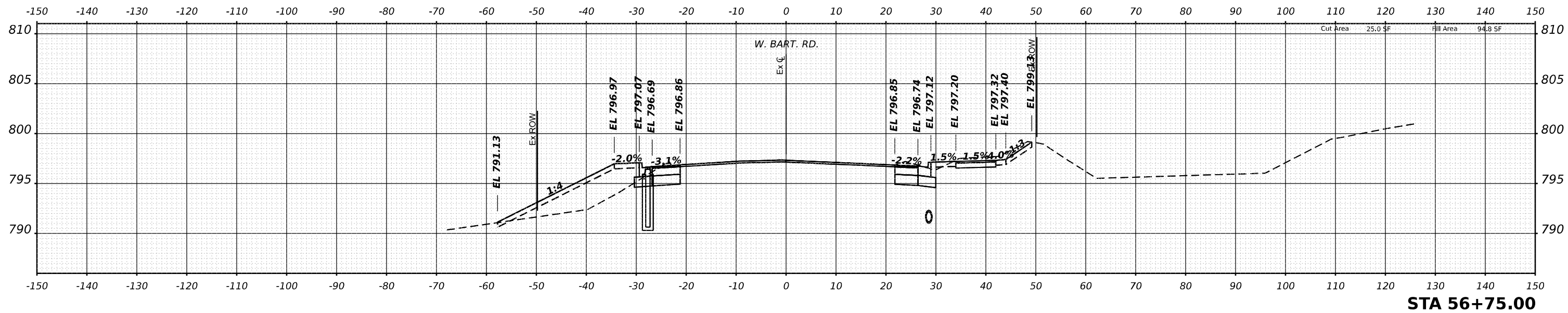
SCALE: 1" = 10' SHEET 0 OF SHEETS STA.

F.A.P. RTE. 338	SECTION 110R-1-N	COUNTY COOK	TOTAL SHEETS 237	SHEET NO. 228
CONTRACT NO. 62D30				
ILLINOIS FED. AID PROJECT				

FINAL SURVEY NO.	SURVEYED	BY	DATE
NOTE BOOK	PLOTTED		
AREAS CHECKED	TEMPLATE		
	AREAS		
	CHECKED		

ORIGINAL SURVEY NO.	SURVEYED	BY	DATE
NOTE BOOK	PLOTTED		
AREAS CHECKED	TEMPLATE		
	AREAS		
	CHECKED		

MODEL: Wbart XS - 56+50.00-5 (Sheet)
 FILE NAME: p:\illinois\dmr\p10041\cadd\cadd\data\Design\P10041\Excav - WBartlet.dgn



USER NAME = ldezarm	DESIGNED -	REVISED -
	DRAWN -	REVISED -
PLOT SCALE = 0.16666633 1/ in.	CHECKED -	REVISED -
PLOT DATE = 12/21/2021	DATE -	REVISED -

**STATE OF ILLINOIS
 DEPARTMENT OF TRANSPORTATION**

**CROSS SECTIONS
 IL. ROUTE 59 AT WEST BARTLETT ROAD**

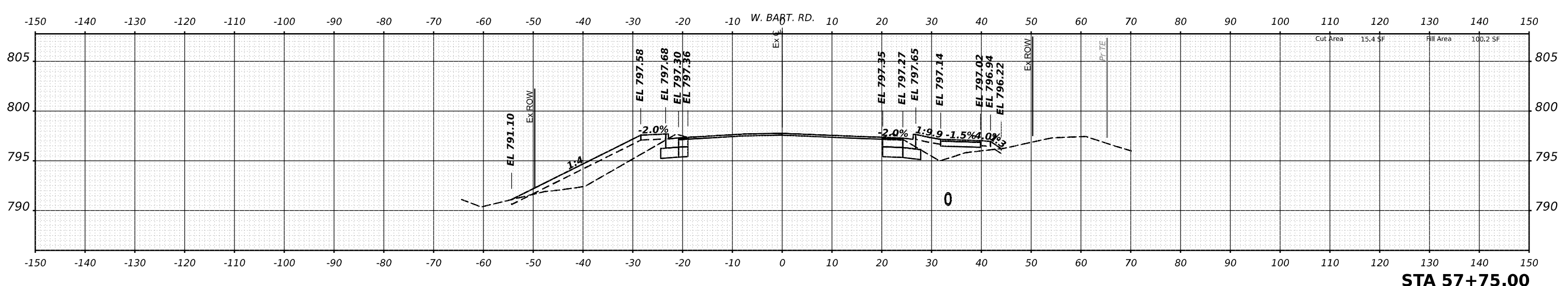
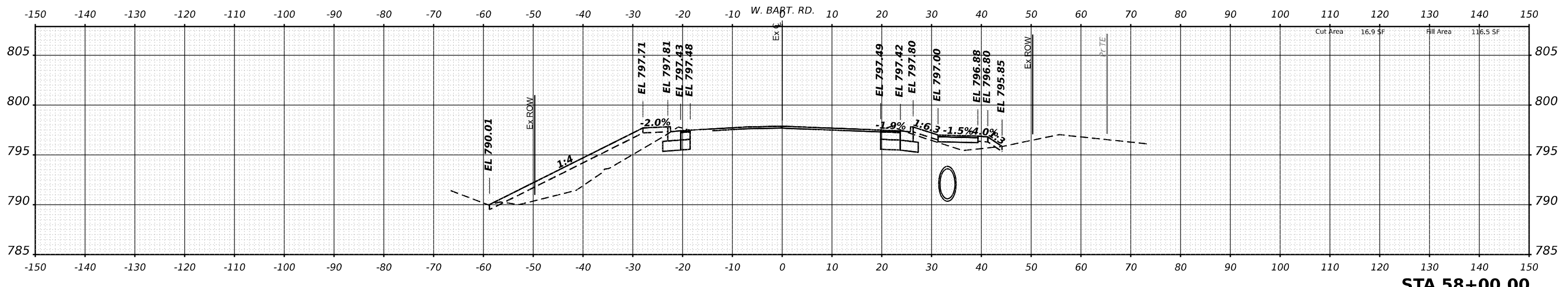
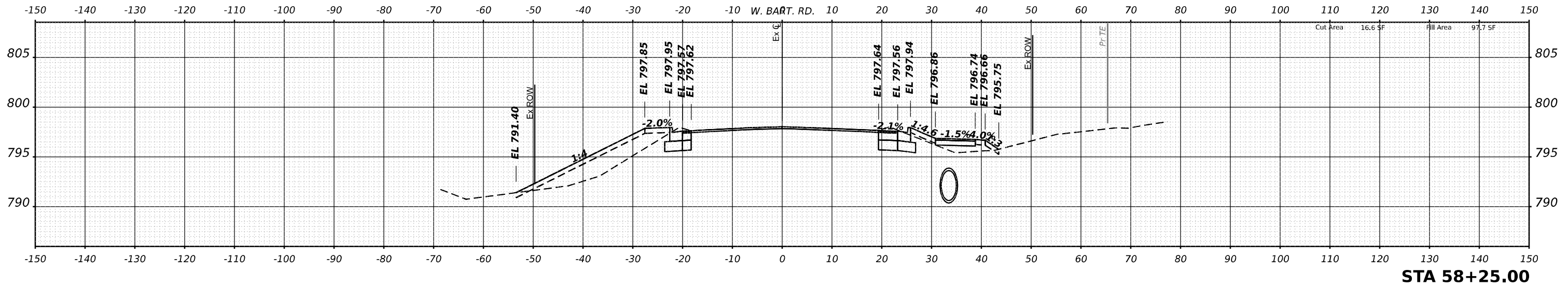
SCALE: 1" = 10'
 SHEET 0 OF SHEETS STA.

F.A.P. RTE. 338	SECTION 110R-1-N	COUNTY COOK	TOTAL SHEETS 237	SHEET NO. 231
			CONTRACT NO. 62D30	
ILLINOIS FED. AID PROJECT				

FINAL SURVEY	SURVEYED	DATE
NOTE BOOK	PLOTTED	BY
NO.	TEMPLATE	
	AREAS CHECKED	
	AREAS CHECKED	

ORIGINAL SURVEY	SURVEYED	DATE
NOTE BOOK	PLOTTED	BY
NO.	TEMPLATE	
	AREAS CHECKED	
	AREAS CHECKED	

MODEL: Wbart XS - 57+75.00-5 (Sheet)
 FILE NAME: d:\illinois\dmr\p10041\cadd\cadd\data\Design\P10041\Excav - WBart.dgn



USER NAME = ldezmar	DESIGNED -	REVISED -
	DRAWN -	REVISED -
PLOT SCALE = 0.16666633 1/16"	CHECKED -	REVISED -
PLOT DATE = 12/21/2021	DATE -	REVISED -

**STATE OF ILLINOIS
DEPARTMENT OF TRANSPORTATION**

**CROSS SECTIONS
IL. ROUTE 59 @ WEST BARTLETT ROAD**

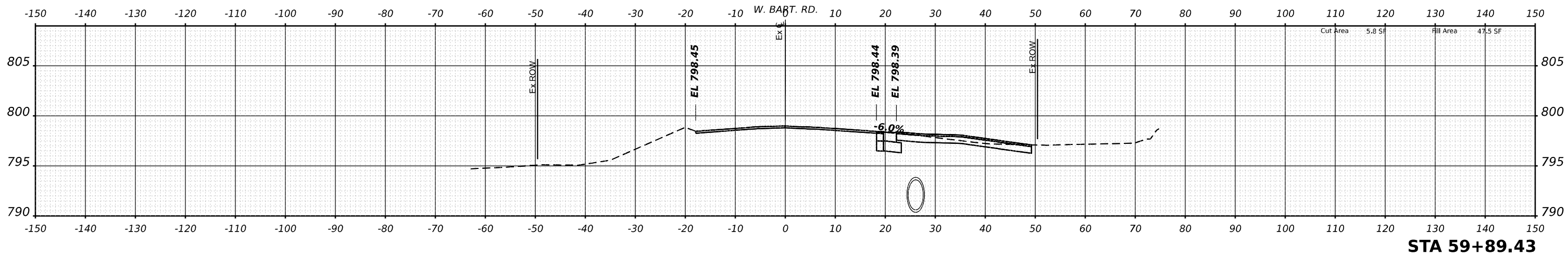
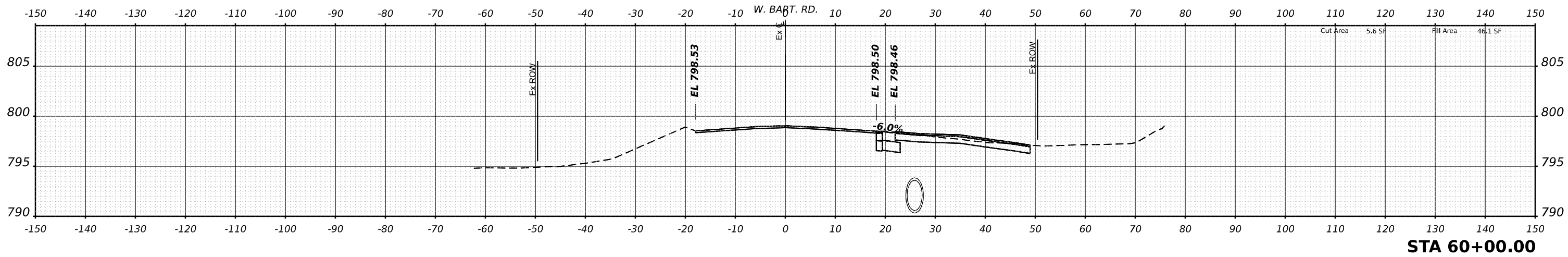
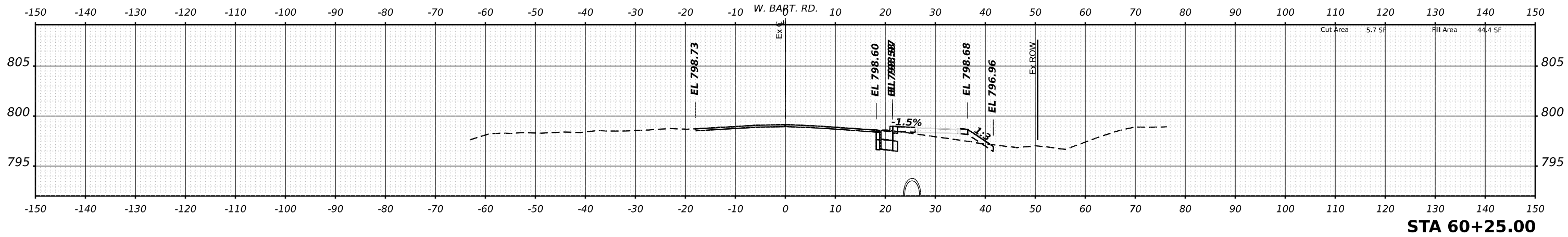
SCALE: 1" = 50' SHEET 94 OF 98 SHEETS STA.

F.A.P. RTE. 338	SECTION 110R-1-N	COUNTY COOK	TOTAL SHEETS 237	SHEET NO. 233
			CONTRACT NO. 62D30	
ILLINOIS FED. AID PROJECT				

FINAL SURVEY	SURVEYED	BY	DATE
NOTE BOOK	PLOTTED		
NO.	TEMPLATE		
	AREAS		
	CHECKED		

ORIGINAL SURVEY	SURVEYED	BY	DATE
NOTE BOOK	PLOTTED		
NO.	TEMPLATE		
	AREAS		
	CHECKED		

MODEL: Wbart XS - 59+89.43-5 (Sheet)
 FILE NAME: p:\illinois\dmr\p\110R-1\DOT Office\District 1\Projects\P110R-1\CARD\CARDData\Design\P110R-1\XS - WBartlet.dgn



USER NAME =	ledzerm	DESIGNED -	REVISIED -
		DRAWN -	REVISIED -
PLOT SCALE =	0.16666633 1/ in.	CHECKED -	REVISIED -
PLOT DATE =	12/21/2021	DATE -	REVISIED -

**STATE OF ILLINOIS
DEPARTMENT OF TRANSPORTATION**

**CROSS SECTIONS
IL. ROUTE 59 @ WEST BARTLETT ROAD**

SCALE: 1" = 50' SHEET 97 OF 98 SHEETS STA.

F.A.P. RTE.	SECTION	COUNTY	TOTAL SHEETS	SHEET NO.
338	110R-1-N	COOK	237	236
				CONTRACT NO. 62D30
				ILLINOIS FED. AID PROJECT

