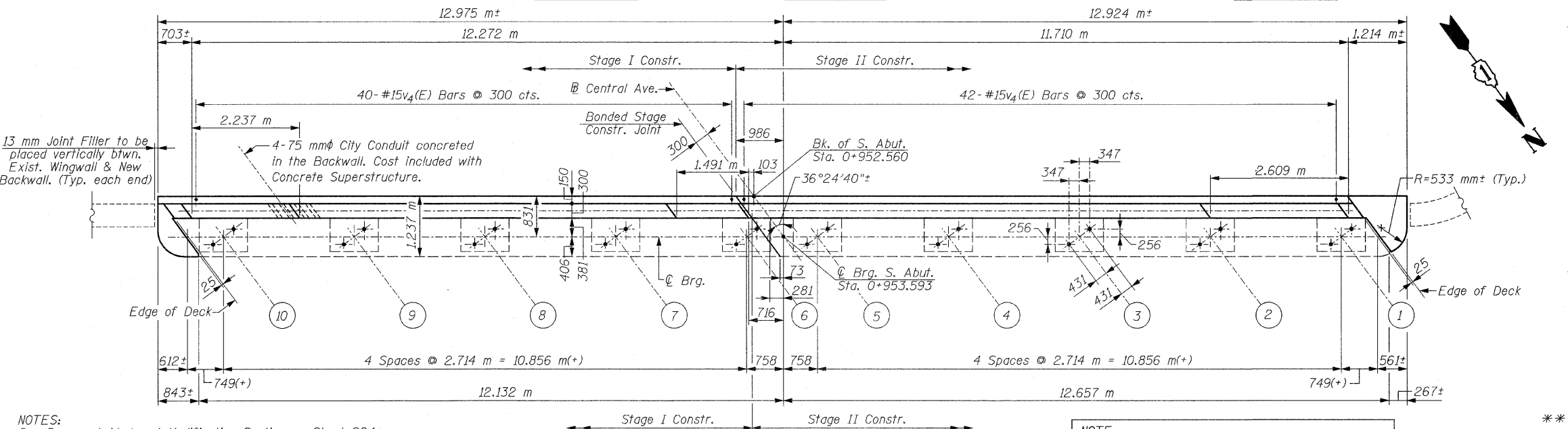
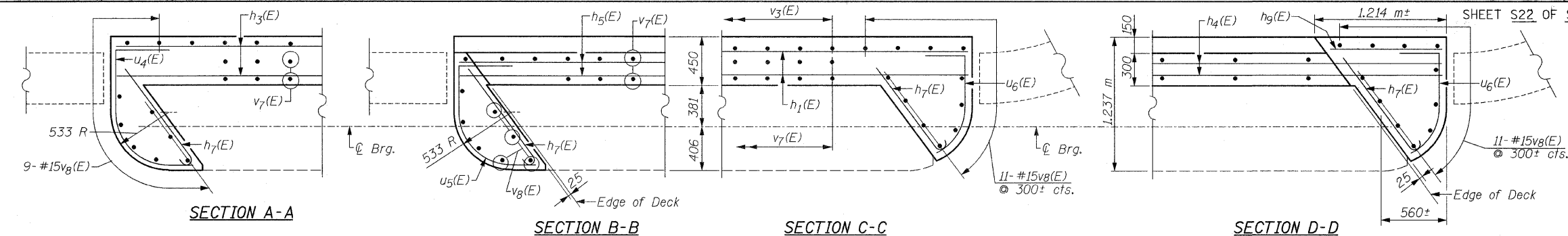


F.A.I. RTE.	SECTION	COUNTY	TOTAL SHEETS	SHEET NO.
90	1213B-1	COOK	94	69
STA.	TO STA.			
FED. ROAD DIST. NO. 1 ILLINOIS FED. AID PROJECT				

CONTRACT NO. 60640

BILL OF MATERIAL

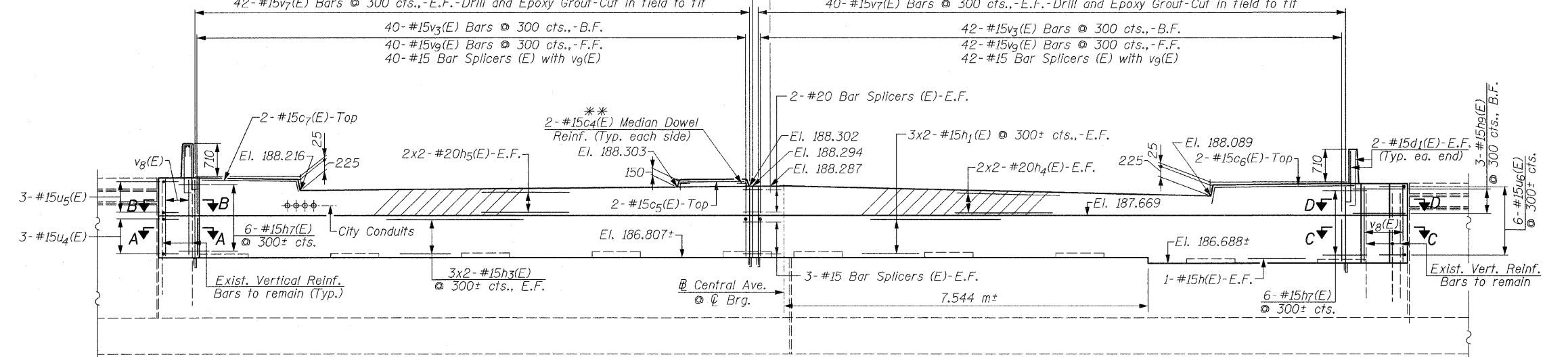
Bar	No.	Size	Length (m)	Shape
c4(E)	4	#15	0.47	┌
c5(E)	2	#15	1.33	┌
c6(E)	2	#15	2.95	┌
c7(E)	2	#15	2.58	┌
d1(E)	8	#20	1.32	J
h(E)	2	#15	4.11	—
h1(E)	12	#15	7.14	—
h3(E)	12	#15	6.21	—
h4(E)	8	#20	7.15	—
h5(E)	8	#20	6.40	—
h7(E)	12	#15	1.28	—
h9(E)	3	#15	1.07	—
u4(E)	3	#15	2.22	C
u5(E)	3	#15	2.09	C
u6(E)	6	#15	1.68	J
v3(E)	82	#15	0.95	┌
v4(E)	82	#15	0.60	┌
v7(E)	164	#15	1.64	—
v8(E)	20	#15	1.56	—
v9(E)	82	#15	1.07	┌
Structure Excavation		m ³	77	
Concrete Structures		m ³	10.8	
Reinforcement Bars, Epoxy Coated		kg	1,220	
Porous Granular Embankment, Special		m ³	53	
Concrete Removal		m ³	9.2	
Epoxy Crack Sealing		m	5.7	
Bar Splicers		Each	92	



NOTES:
See Proposed Abutment Modification Section on Sheet S24.
Elevation shown are at Front Face of Abutment.

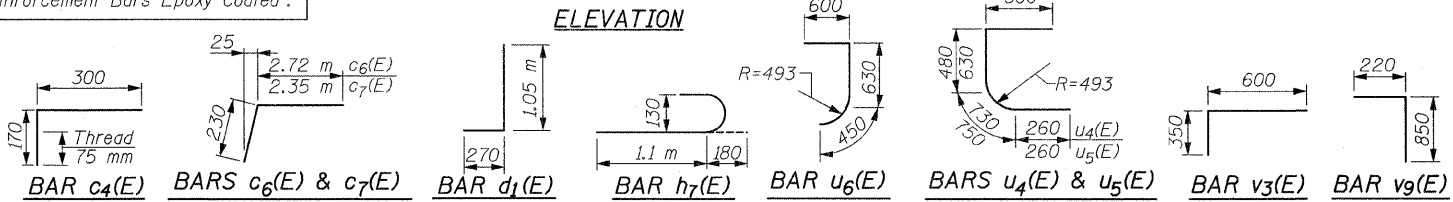
Bars indicated thus 3x2-#15 Bars etc., indicates 3 lines of Bars with 2 lengths per line.

NOTE:
Hatched area to be poured after Superstructure. Falsework has been removed. Quantity of concrete is included with "Concrete Superstructure".



** Median Dowel c4(E) to be provided with 20 mm φ x150 Flared Coil Loop (Epoxy Coated). The cost of Epoxy Coated Flared Coil Loop is included with "Reinforcement Bars Epoxy Coated".

Seal Exist. Joint
Cost included with "Concrete Removal"



* To be cut in field to fit.
*** Cracks at Slope wall area, See Sheet S21 for locations.

MIN. LAP
#15 Bars=510
#20 Bars=640

NOTATION:
E.F. = Each Face
B.F. = Back Face
F.F. = Front Face

REVISIONS	
NAME	DATE

ILLINOIS DEPARTMENT OF TRANSPORTATION
SOUTH ABUTMENT
CENTRAL AVENUE (F.A.U. RTE. 2798)
OVER
INTERSTATE 90 (KENNEDY EXPWY.) & C.T.A.
F.A.I. RTE. 90 SECTION: 1213B-1
COOK COUNTY STATION 1+000.000
STRUCTURE NO. 016-0659
SCALE: NONE DRAWN BY: D.L./F.M.
DATE: JANUARY 16, 2009 CHECKED BY: B.N.S./J.C.M.
CHRISTIAN-ROGE & ASSOC., INC.
CHICAGO ILLINOIS