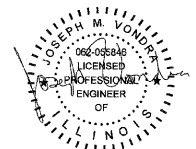
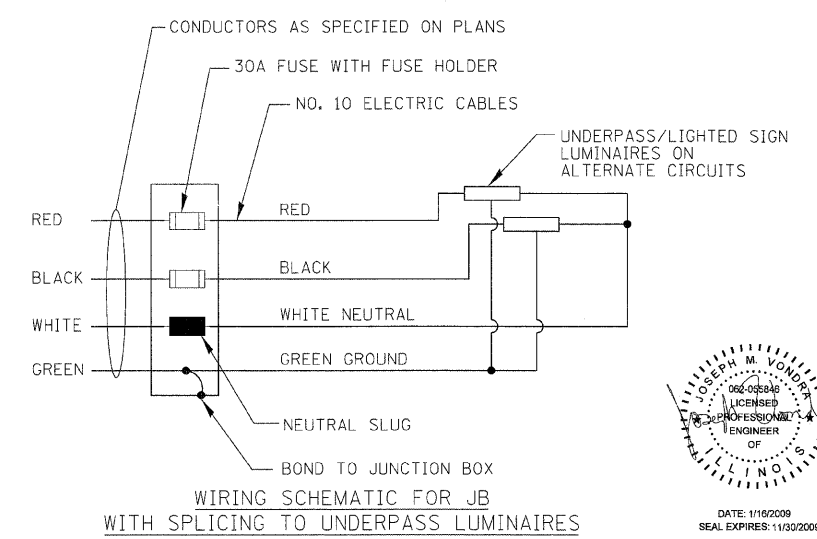


LEGEND

- EXISTING LIGHTING UNIT, 400W HPS
- 100W L.P.S. UNDERPASS LUMINAIRE
- LIGHTED SIGN STRUCTURE
F1 = 3 FIXTURES (6 - 85W FLUORESCENT)
F2 = 4 FIXTURES (8 - 85W FLUORESCENT)
- 100W HPS UNDERPASS LUMINAIRE
- 3-1/C NO. 4 AND 1/C NO. 6 GROUND IN UNIT DUCT
- 3-1/C NO. 10 AND 1/C NO. 10 GROUND IN CONDUIT ATTACHED TO STRUCTURE

CKT. #	DESCRIPTION	PHASE A (RED) AMPS	PHASE B (BLACK) AMPS
A	5-400W, 3-85W 2-100W	12.25	
B	5-400W, 3-85W 2-100W		12.25
C	3-400W, 3-100W	12	
D	4-400W, 3-100W		14
E	2-400W, 3-100W	10	
F	1-400W, 3-100W		8
G	5-400W, 4-85W, 2-100W	11.7	
H	4-400W, 4-85W, 2-100W		9.7
TOTAL		45.95	43.95

LOAD WAS CALCULATED BASED ON THE FOLLOWING:
 400W HPS LUMINAIRE - 2AMPS
 100W LPS UNDERPASS LUMINAIRE - 2AMPS
 85W SIGN LUMINAIRE LAMP (TWO PER FIXTURE) - 0.35AMPS
 100W HPS UNDERPASS LUMINAIRE - 0.6AMPS



DATE: 1/16/2009
SEAL EXPIRES: 11/30/2009

FILE NAME: n:\proj\3153\125th\design\Lighting\125TH ST_5_0nal.dgn

Ciorba Group, Inc.
 CONSULTING ENGINEERS
 5507 North Cumberland Avenue, Suite 402
 Chicago, Illinois 60655
 Tel: 773.775.4009 Fax 773.775.4014

USER NAME = dmorris	DESIGNED - JMV	REVISED -
PLDT SCALE = 0.1250 M / MM.	DRAWN - MB	REVISED -
PLDT DATE = 1/16/2009	CHECKED - JMV	REVISED -
	DATE = 1/16/2009	REVISED -

**STATE OF ILLINOIS
DEPARTMENT OF TRANSPORTATION**

**FAI 57/INTERSTATE 57
125TH STREET OVER I-57
SINGLE LINE DIAGRAM - CONTROLLER "F"**

SCALE: SHEET NO. 5 OF 10 SHEETS STA. TO STA.

F.A.I. RTE. 57	SECTION 1818.3B-R	COUNTY COOK	TOTAL SHEETS 58	SHEET NO. 19
FED. ROAD DIST. NO. - ILLINOIS			CONTRACT NO. 60862	
FED. AID PROJECT				