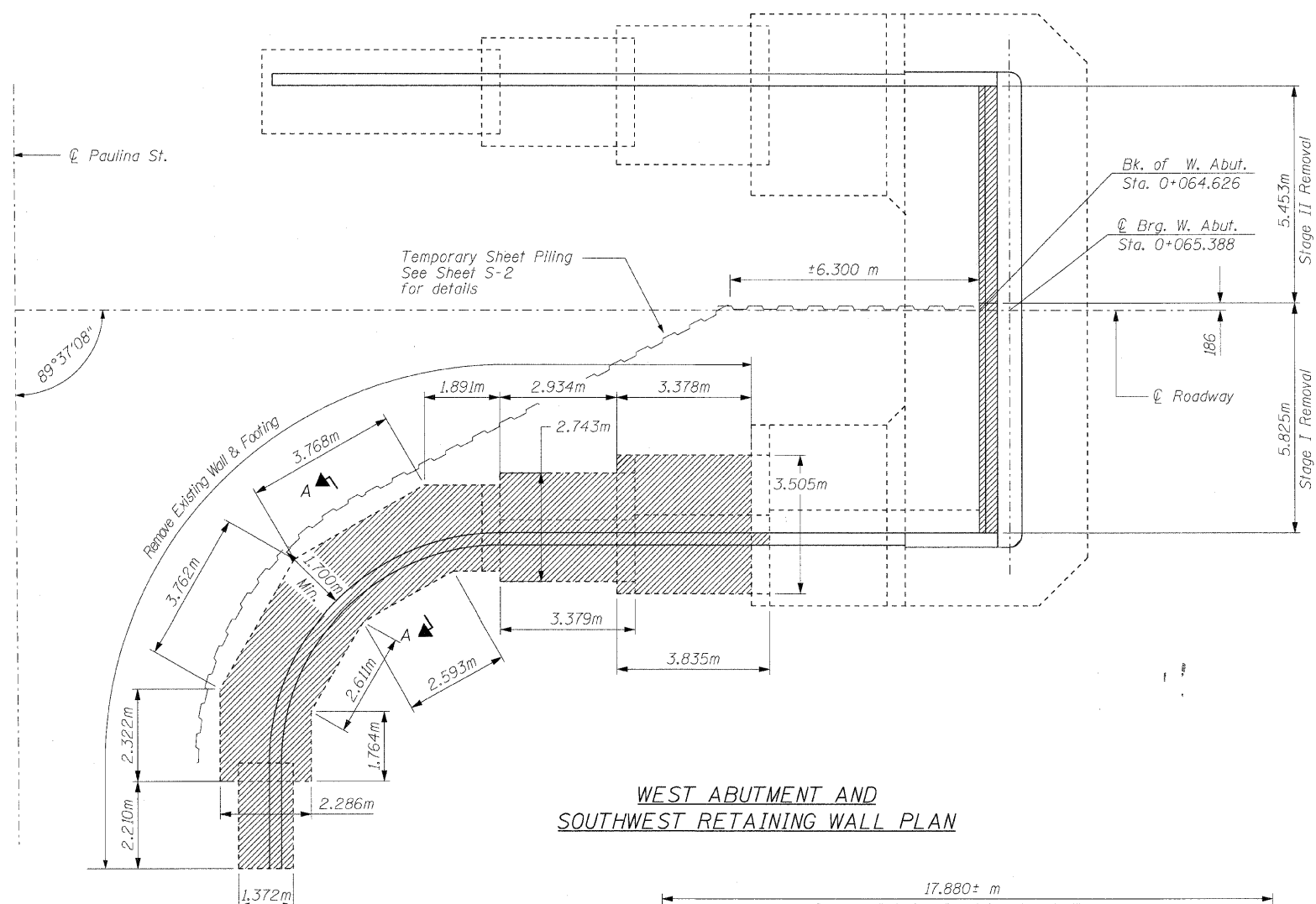
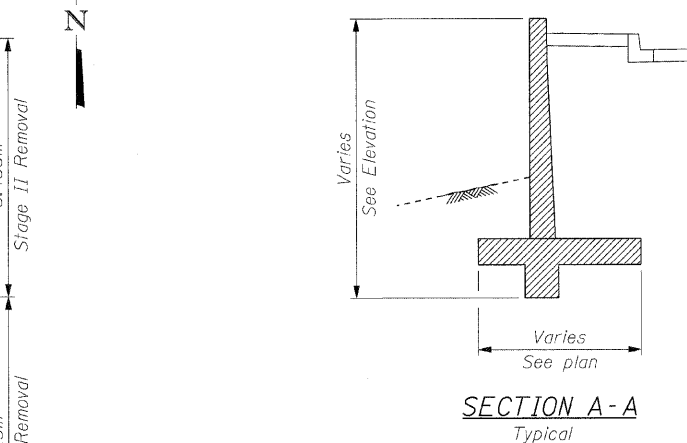


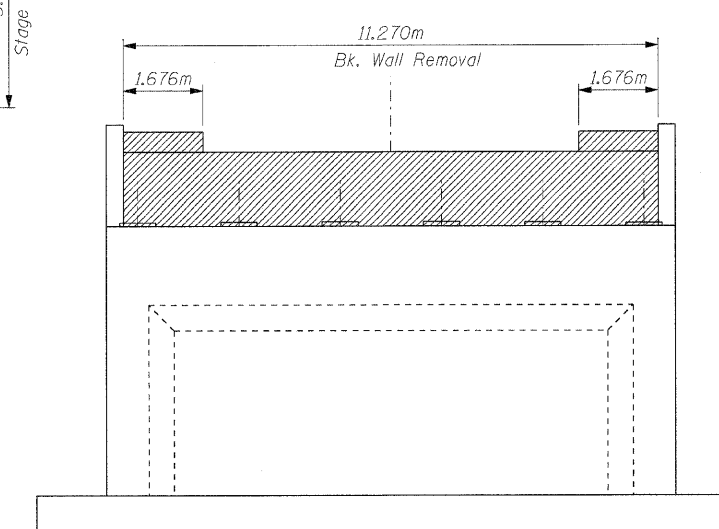
STATE OF ILLINOIS
DEPARTMENT OF TRANSPORTATION



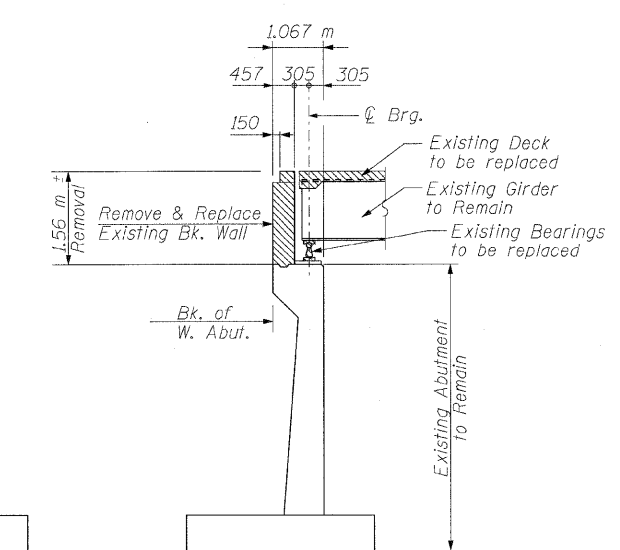
WEST ABUTMENT AND
SOUTHWEST RETAINING WALL PLAN



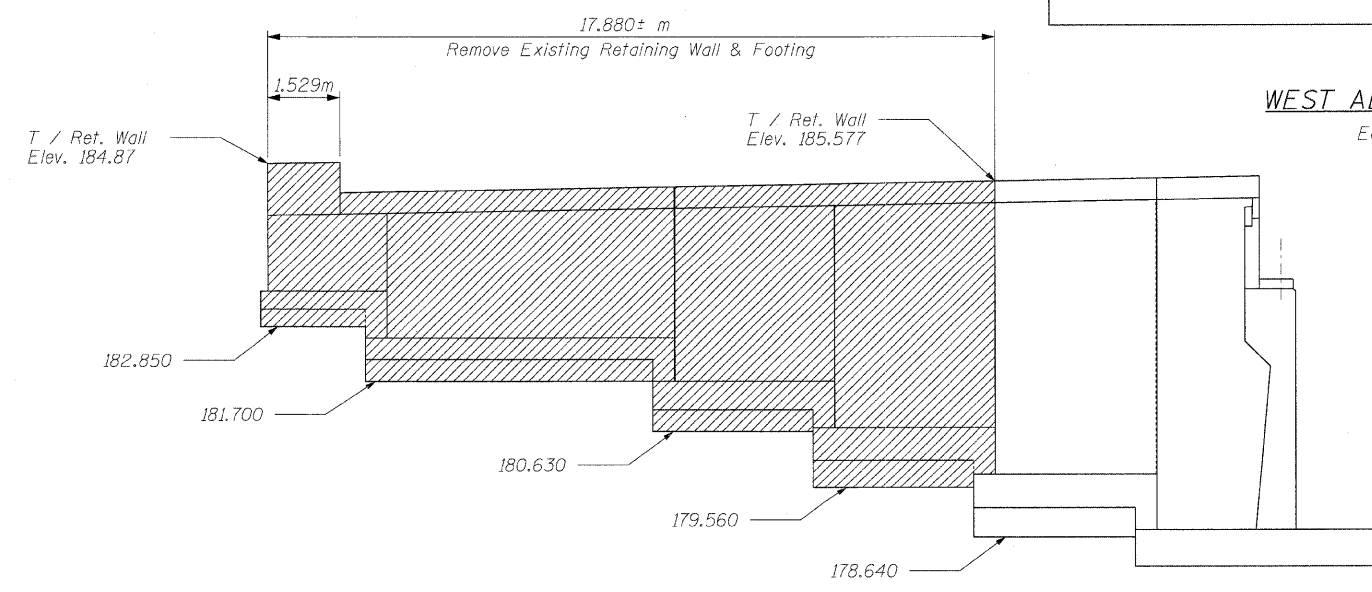
SECTION A-A
Typical



WEST ABUTMENT ELEVATION
East Abutment Similar



SECTION THRU WEST ABUTMENT



SOUTHWEST RETAINING WALL
ELEVATION

LEGEND

Concrete Removal

NOTES:

- Existing vertical reinforcement protruding from the abutment backwall and horizontal reinforcement protruding from the wingwalls to remain in place. The existing reinforcement shall be sandblasted clean, straightened and incorporated into the new construction. Any reinforcement bars that are damaged during concrete removal operations shall be repaired or replaced using an approved bar splicer or anchorage system. Cost included with Concrete Removal.
- See Sheet S-18 for Bill of Material.

WEST ABUTMENT & SW RETAINING WALL REMOVAL
STRUCTURE NO. 016-2034

DESIGNED -	EKM
CHECKED -	SCD
DRAWN -	RD
CHECKED -	EKM

Ciorba Group, Inc.
CONSULTING ENGINEERS
5507 North Cumberland Avenue, Suite 402 Chicago, Illinois 60656
Tel. 773.775.4009 Fax 773.775.4014 Email chicago@ciorba.com

SHEET NO. S-17 S-26 SHEETS	F.A.I. RTE.	SECTION	COUNTY	TOTAL SHEETS	SHEET NO.
	57	1818.3B-R	COOK	58	41
FED. ROAD DIST. NO.			ILLINOIS	FED. AID PROJECT	
CONTRACT NO. 60862					

1/16/2009 rdonly