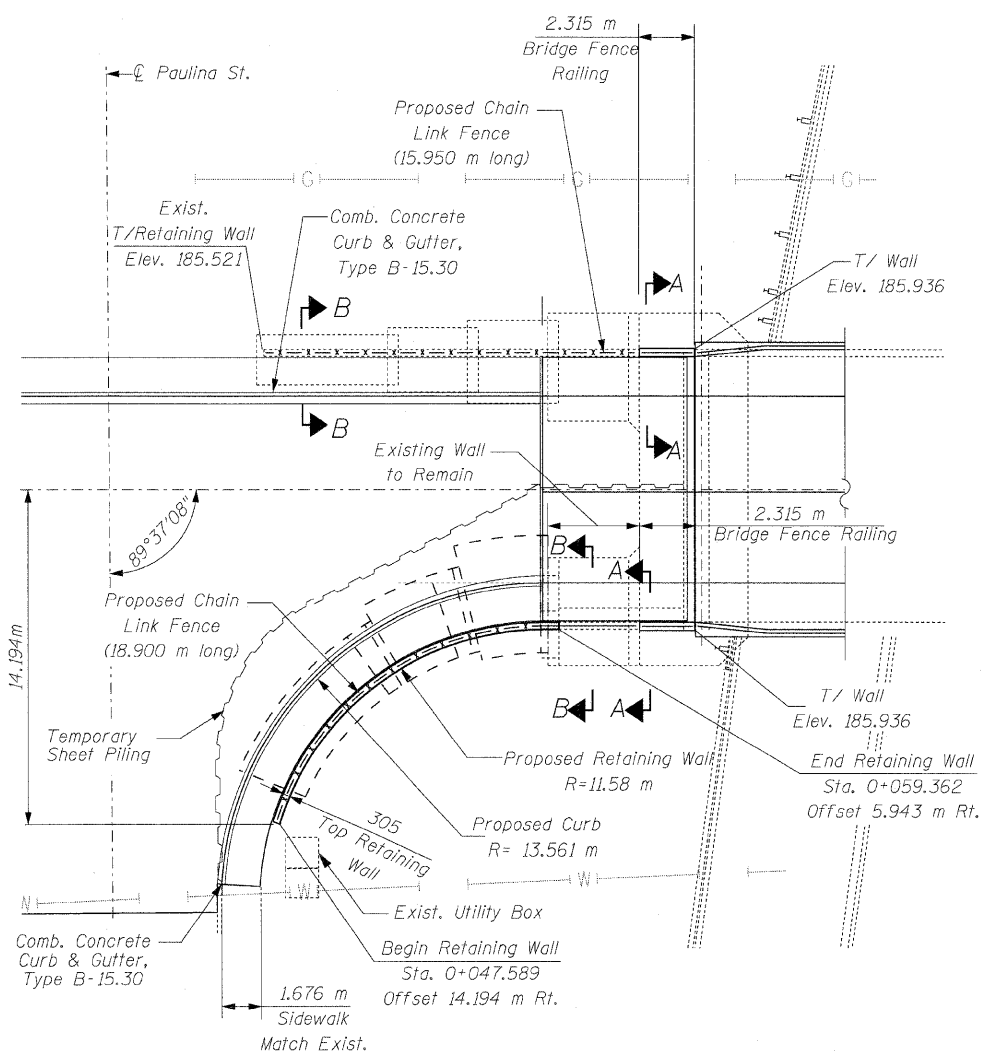
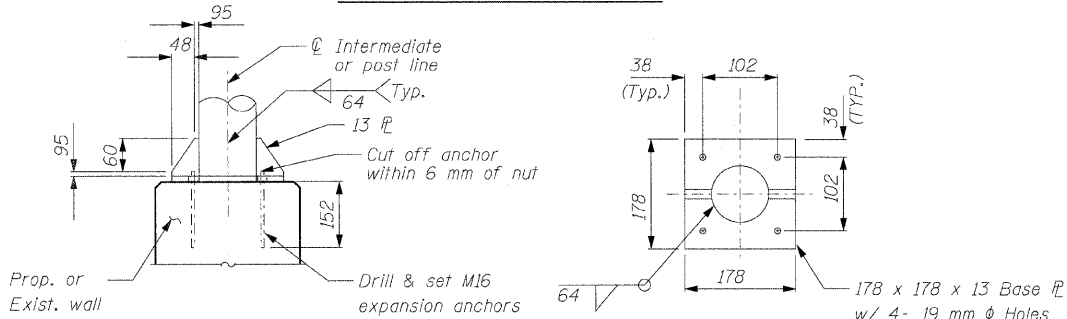


STATE OF ILLINOIS
DEPARTMENT OF TRANSPORTATION



WEST RETAINING WALLS



ELEVATION

PLAN

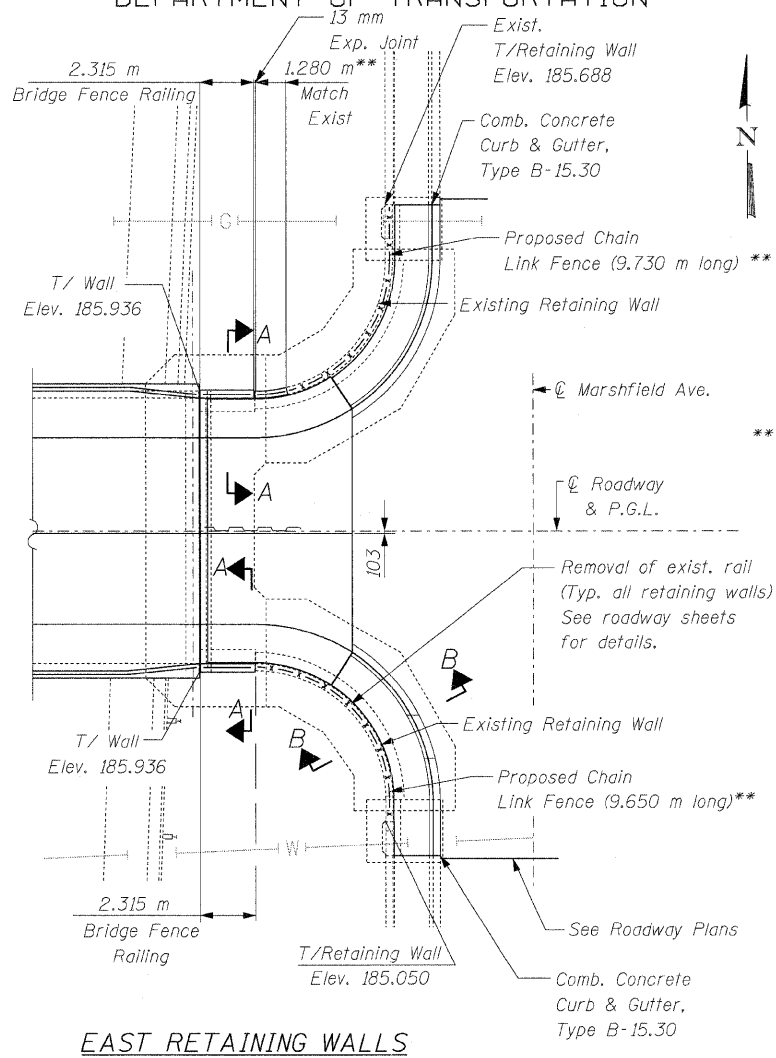
Note:
The cost of the base plates and anchor bolts for mounting fence on the retaining wall is included with the cost of the "Concrete Structures."

FENCE POST MOUNTING DETAIL

DESIGNED - EKM
CHECKED - SCD
DRAWN - RD
CHECKED - EKM



Ciorba Group, Inc.
CONSULTING ENGINEERS
5507 North Cumberland Avenue, Suite 402 Chicago, Illinois 60656
Tel. 773.775.4009 Fax 773.775.4014 Email chicago@ciorba.com



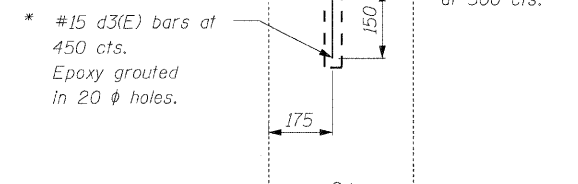
EAST RETAINING WALLS

SECTION A-A

SECTION B-B

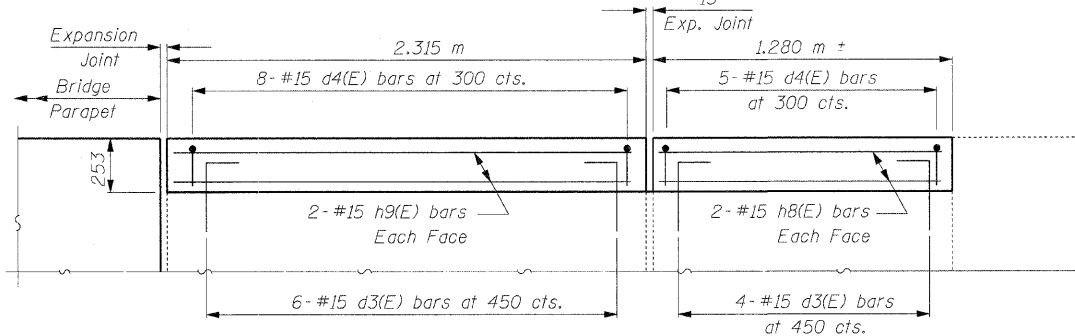
BAR d3(E)

BAR d4(E)

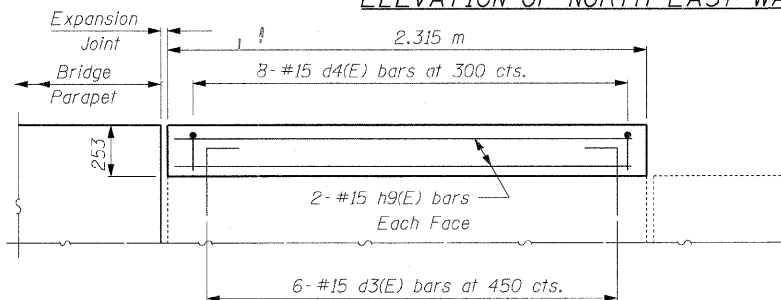


CONCRETE EXTENSION
EXIST. RETAINING WALL

* The cost of drilling and grouting is included with Concrete Structures.



ELEVATION OF NORTH-EAST WALL



ELEVATION OF NW, SE & SW WALL

NOTE:
Work this sheet with sheets S-24 and S-25.

RETAINING WALLS PLAN & DETAILS
STRUCTURE NO. 016-2034

SHEET NO. S-23	F.A.I. RTE.	SECTION	COUNTY	TOTAL SHEETS	SHEET NO.
	57	1818.3B-R	COOK	58	47
S-26 SHEETS		CONTRACT NO. 60862			
FED. ROAD DIST. NO.		ILLINOIS FED. AID PROJECT			