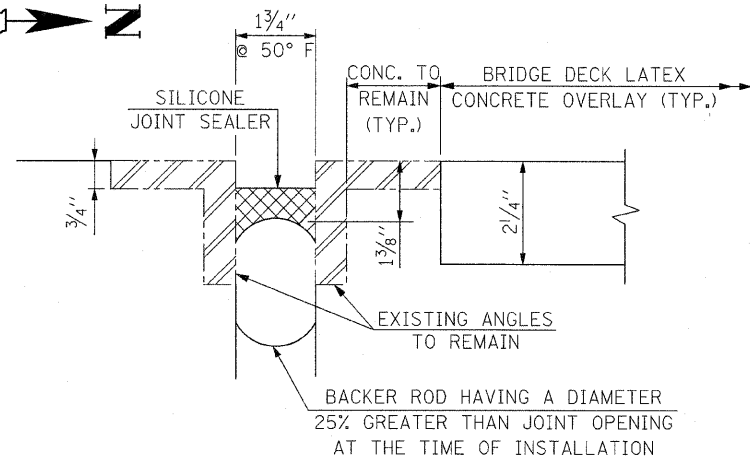


F.A.P. RTE.	SECTION	COUNTY	TOTAL SHEETS	SHEET NO.
338	2007-024 I	DuPAGE	26	6
STA.		TO STA.		
FED. ROAD DIST. NO.		ILLINOIS	FED. AID PROJECT	

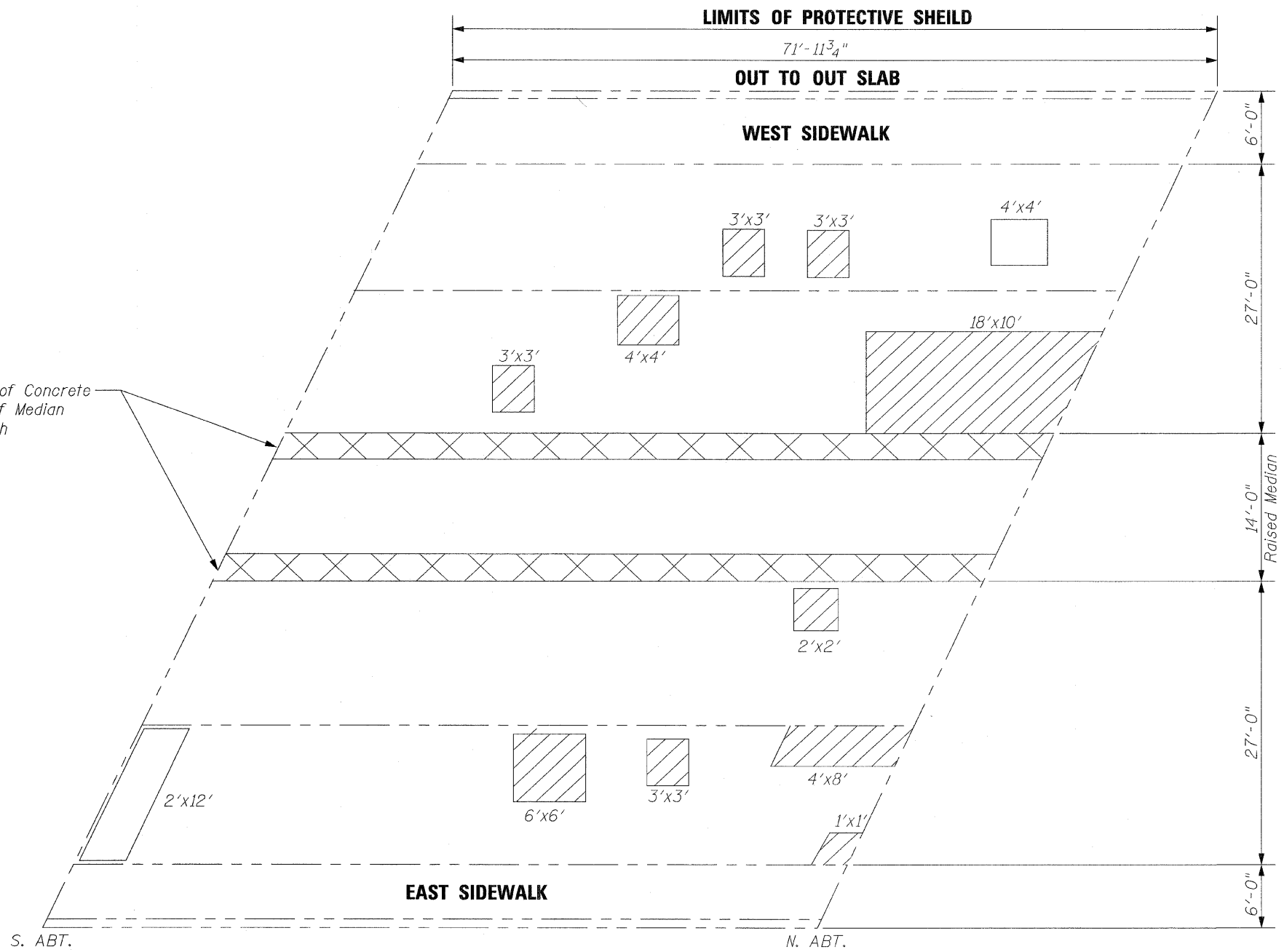
CONTRACT NO. 60C90



AT S. & N. ABUTMENTS
 (EXIST. PREFORMED JT. SEAL-TRANVERSE EXP. JT.)
 (TO BE REMOVED & REPLACED WITH SILICONE JOINT SEALER)

BILL OF MATERIAL

DESCRIPTION	UNIT	QUANTITY
SILICONE JOINT SEALER, 1 3/4"	FT.	180
STRUCTURAL REPAIR OF CONCRETE (DEPTH GREATER THAN 5 IN.)	SQ. FT.	144



SIDEWALK REPAIR

LOCATION	UNIT	QUANTITY
EAST SIDEWALK	SQ. FT.	(10x2) + (6x2) = 32.0
WEST SIDEWALK	SQ. FT.	(6x1.5) + (4x1.5) + (14x1.5) = 36.0

STRUCTURAL REPAIR OF CONCRETE
 (DEPTH EQUAL TO OR LESS THAN 5 IN.)
 = 68.0 SQ. FT.

THE ACTUAL LOCATIONS OF SIDEWALK REPAIR WILL BE DETERMINED BY THE ENGINEER AT THE TIME OF CONSTRUCTION.

* DECK SLAB PARTIAL DEPTH REPAIR PATCHES ARE SHOWN FOR INFORMATION ONLY

LEGEND:

- F.D. = FULL DEPTH = 33.0 S.Y.
- P.D. = PARTIAL DEPTH = 6.0 S.Y.

ILLINOIS DEPARTMENT OF TRANSPORTATION
 DECK CONCRETE PATCHING
 IL. RTE. 59
 OVER
 IL. RTE. 38
 F.A.P. RTE. 338 SECTION: 2007-024 I
 DuPAGE COUNTY
 STRUCTURE NO. 022-0036
 SCALE: NONE
 DATE: JANUARY 12, 2009
 DRAWN BY: D.L./F.M.
 CHECKED BY: B.N.S./S.J.P.
CHRISTIAN-ROGE & ASSOC., INC.
 CHICAGO ILLINOIS

REVISIONS	
NAME	DATE