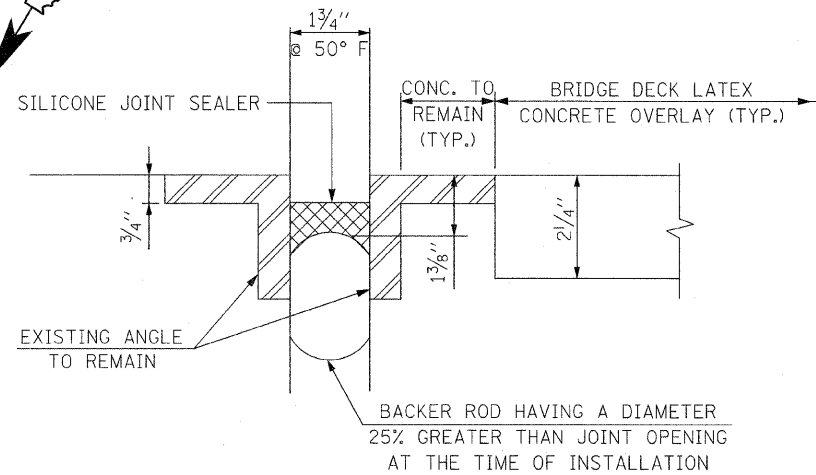
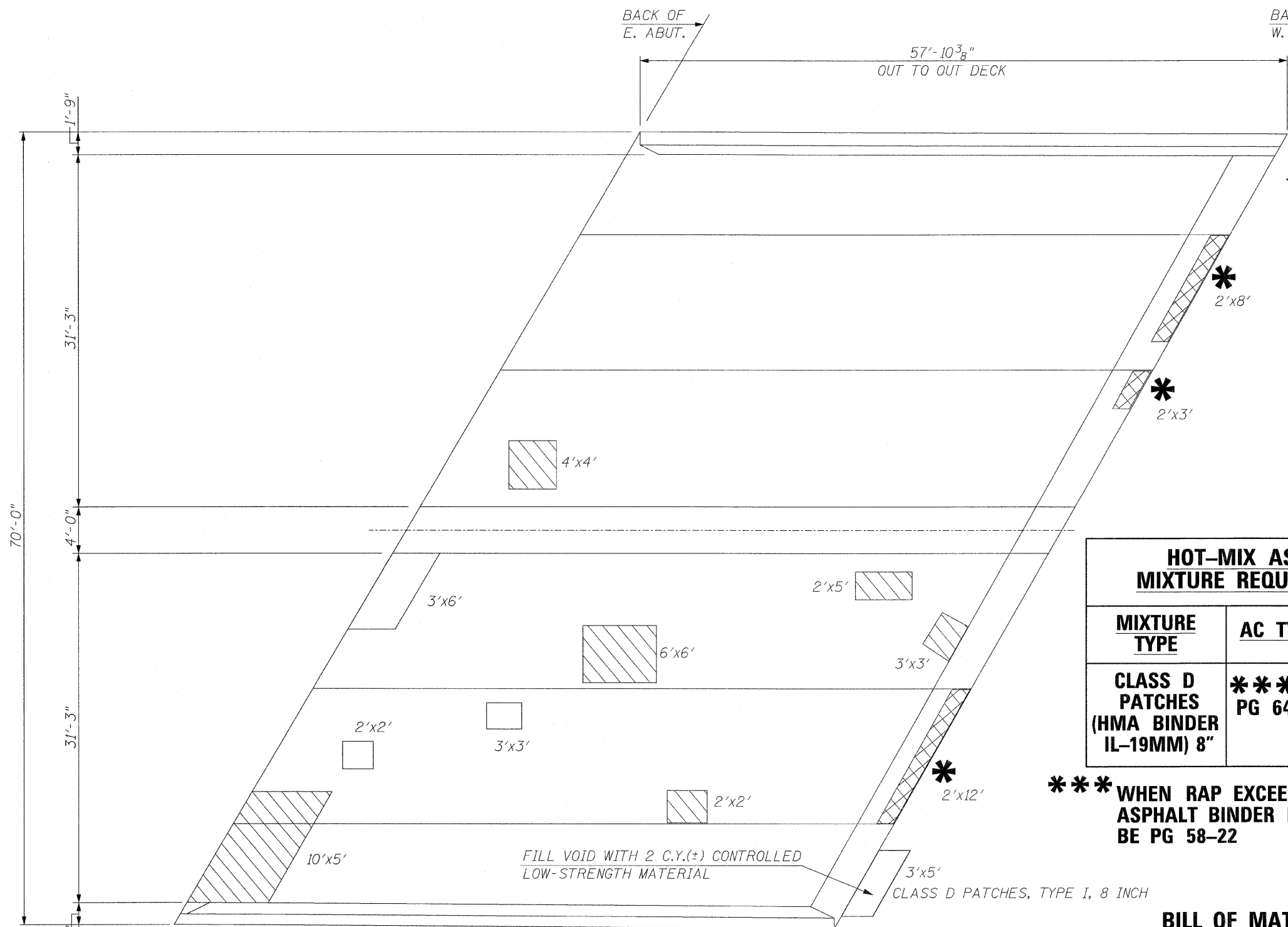


F.A.P. RTE.	SECTION	COUNTY	TOTAL SHEETS	SHEET NO.
338	2007-024 I	DuPAGE	26	9
STA.		TO STA.		
FED. ROAD DIST. NO.		ILLINOIS	FED. AID PROJECT	

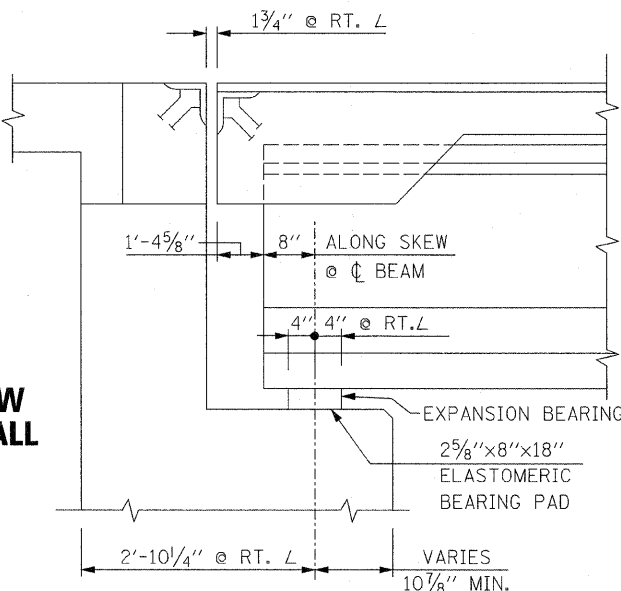
**CONTRACT NO. 60C90**



**AT EAST ABUTMENT (ONLY)**  
 (EXIST. PREFORMED JT. SEAL-TRANVERSE EXP. JT.)  
 (TO BE REMOVED & REPLACED WITH SILICONE JOINT SEALER)

HOT-MIX ASPHALT MIXTURE REQUIREMENTS		
MIXTURE TYPE	AC TYPE	AIR VOIDS
CLASS D PATCHES (HMA BINDER IL-19MM) 8"	*** PG 64-22	4% @ 70 GYR

\*\*\* WHEN RAP EXCEEDS 20%, THE NEW ASPHALT BINDER IN THE MIX SHALL BE PG 58-22



**BILL OF MATERIAL**

DESCRIPTION	UNIT	QUANTITY
SILICONE JOINT SEALER, 1 3/4"	FOOT	81

**SECTION AT EAST ABUT.**

- TOP DECK**
- \*\* 4 S.Y. P.D. PATCH
  - ▨ 14 S.Y. FULL DEPTH PATCH
  - ▩ \* PARTIAL DEPTH REPAIR TO DAMAGED CONCRETE DAM (46 S.F.) (PAID FOR AS "STRUCTURAL REPAIR OF CONCRETE (DEPTH LESS THAN 5 IN)")
- \*\*\* DECK SLAB PARTIAL DEPTH REPAIR PATCHES ARE SHOWN FOR INFORMATION ONLY

- LEGEND:**
- ▨ F.D. = FULL DEPTH
  - ▩ P.D. = PARTIAL DEPTH

REVISIONS	
NAME	DATE

ILLINOIS DEPARTMENT OF TRANSPORTATION  
 DECK CONCRETE PATCHING  
 IL. RTE. 59  
 OVER  
 KRESS CREEK  
 F.A.P. RTE. 338 SECTION: 2007-024 I  
 DuPAGE COUNTY  
 STRUCTURE NO. 022-0037  
 SCALE: NONE DATE: JANUARY 12, 2009 DRAWN BY: D.L./F.M. CHECKED BY: B.N.S./S.J.P.  
**CHRISTIAN-ROGE & ASSOC., INC.**  
 CHICAGO ILLINOIS