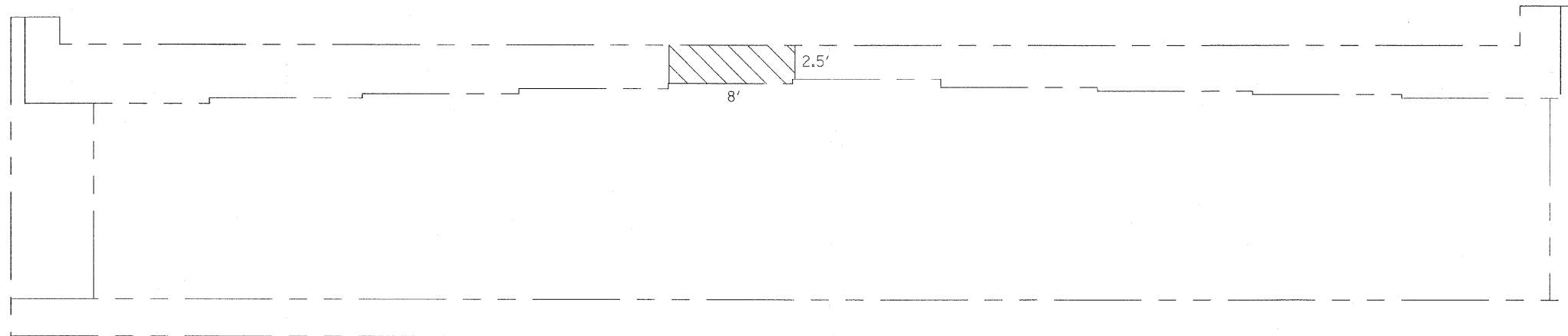
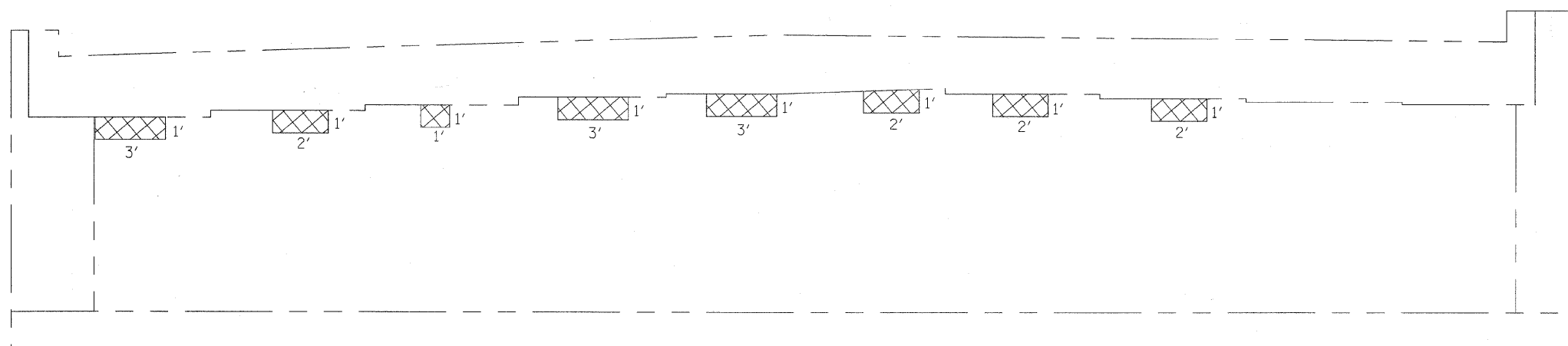


F.A.P. RTE.	SECTION	COUNTY	TOTAL SHEETS	SHEET NO.
338	2007-024 I	DUPAGE	26	10
STA.		TO STA.		
FED. ROAD DIST. NO.	ILLINOIS	FED. AID PROJECT		

CONTRACT NO. 60C90



EAST ABUTMENT



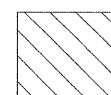
WEST ABUTMENT

NOTE:
ALL EXPOSED ANCHOR BOLTS AT THE FIXED BEARINGS AT ALL STRUCTURAL REPAIR OF CONCRETE (DEPTH GREATER THAN 5 IN.) LOCATIONS SHOULD BE CLEANED AND INCORPORATED INTO THE REPAIRED AREA. COST IS INCLUDED WITH STRUCTURAL REPAIR OF CONCRETE (DEPTH GREATER THAN 5 IN.).

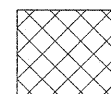
FIELD NOTE QUANTITIES

DESCRIPTION	UNIT	QUANTITY
STRUCTURAL REPAIR OF CONCRETE \geq 5 IN.	S.F.	18
STRUCTURAL REPAIR OF CONCRETE \leq 5 IN.	S.F.	20

LEGEND



STRUCTURAL REPAIR OF CONCRETE \leq 5 IN.



STRUCTURAL REPAIR OF CONCRETE \geq 5 IN.

REVISIONS	
NAME	DATE

ILLINOIS DEPARTMENT OF TRANSPORTATION
 ABUTMENT CAPS REPAIRS
 IL. RTE. 59
 OVER
 KRESS CREEK
 F.A.P. RTE. 338 SECTION: 2007-024 I
 DUPAGE COUNTY
 STRUCTURE NO. 022-0037
 SCALE: NONE DRAWN BY: D.L./F.M.
 DATE: JANUARY 12, 2009 CHECKED BY: B.N.S./S.J.P.
CHRISTIAN-ROGE & ASSOC., INC.
 CHICAGO ILLINOIS